

PTH123 - 124J Package Terminal Heat Pump

PTH123J00CHXXAA
PTH123J15AXXXAA
PTH123J25AXXXAA
PTH123J25CXXXAA
PTH123J25VXXXAA
PTH123J35AXXXAA
PTH123J35CXXXAA
PTH123J35PXXXAA
PTH123J35VXXXAA
PTH123J50AXXXAA
PTH123J50CXXXAA
PTH123J50VXXXAA
PTH124J15AXXXAA
PTH124J25AXXXAA
PTH124J35AXXXAA
PTH124J35CXXXAA
PTH124J35VXXXAA
PTH124J50AXXXAA
PTH124J50CXXXAA



Amana® is a registered trademark of Maytag Corporation or its related companies and is used under license. All rights reserved.

This manual is to be used by qualified technicians only.

© 2022 Goodman Company, L.P. ♦ 19001 Kermier Rd. ♦ Waller, TX 77484

Important Information

Index

Functional Parts List	3
Illustration and Parts	4 - 13

Views shown are for parts illustrations only, not servicing procedures.

Text Codes:

AR - As Required

NA - Not Available

NS - Not Shown

00000000 - See Note

QTY - Quantity Example (QTY 3) (If Quantity not shown, Quantity = 1)

M - Model Example (M1) (If M Code not shown, then part is used on all Models)

Expanded Model Nomenclature:

Example
M1 - Model#1
M2 - Model#2
M3 - Model#3

Goodman Company, L.P. is not responsible for personal injury or property damage resulting from improper service. Review all service information before beginning repairs.

Warranty service must be performed by an authorized technician, using authorized factory parts. If service is required after the warranty expires, Goodman Company, L.P. also recommends contacting an authorized technician and using authorized factory parts.

Goodman Company, L.P. reserves the right to discontinue, or change at any time, specifications or designs without notice or without incurring obligations.

For assistance within the U.S.A. contact:

Homeowner Support
Goodman Company, L.P.
19001 Kermier Road
Waller, Texas 77484
877-254-4729-Telephone
713-863-2382-Facsimile

For assistance outside the U.S.A. contact:

International Division
Goodman Company, L.P.
19001 Kermier Road
Waller, Texas 77484
713-861-2500-Telephone
713-863-2382-Facsimile

Functional Parts

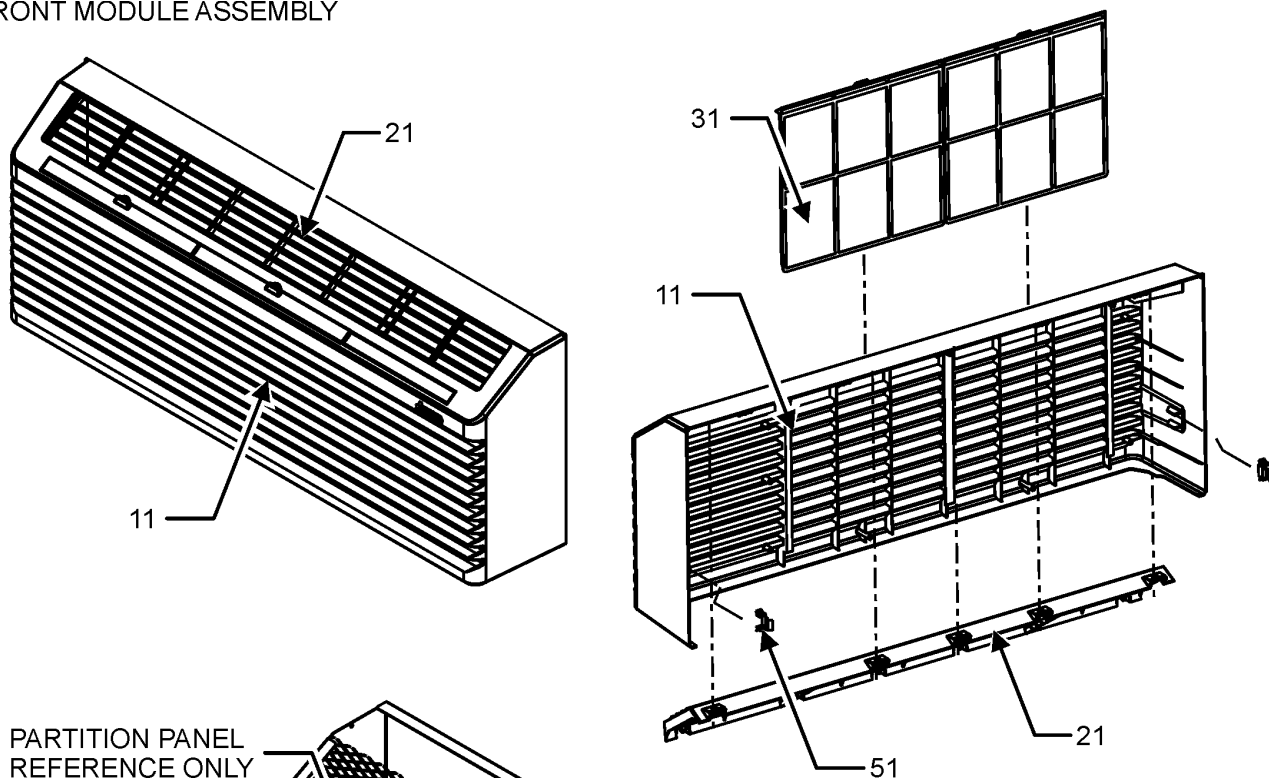
Part

No: Description:

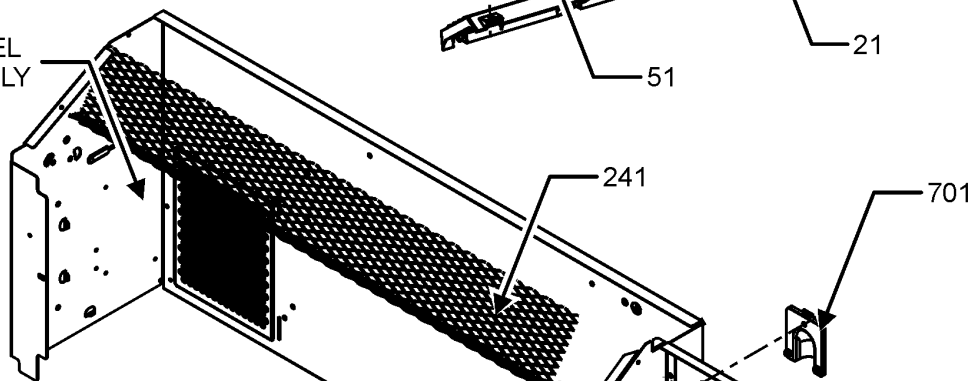
CAP020300450CS	CAP, 2/30 MFD/450V/DUAL RD (M13, M14, M15, M16, M17, M18, M19)	0130M00728	TRANSFORMER 20VA 277V (M13, M14, M15, M16, M17, M18, M19)
CAP010000500RP	CAPACITOR (M13, M14, M15, M16, M17)	0130M00727	Transformer 40VA 240/208V (M1, M5, M9, M12)
CAP015000500RP	CAPACITOR (M18, M19)	0130M00729	TRANSFORMER 40VA 277V (M17)
CAP020000440RP	CAPACITOR (M2, M3, M4, M5, M6, M7, M8, M9, M10, M11, M12)	0151M00026	VALVE, CHECK
CAP030300450CS	CAPACITOR, 500V (M1, M2, M3, M4, M5, M6, M7, M8, M9, M10, M11, M12)	20406303	VALVE-BASEPAN
44X2H2KK&FELC	Compressor-R32 (M1, M2, M3, M4, M5, M6, M7, M8, M9, M10, M11, M12)	Expanded Model Nomenclature	
44W287GK&JELD	Compressor-R32 (M13, M14, M15, M16, M17, M18, M19)	M1 - PTH123J00CHXXAA	
0130P00177	CORD, 250 VAC, 20A (LCDI (M6, M7, M8, M9)	M2 - PTH123J15AXXXAA	
0130P00184	CORD, 250VAC, 15A, (LCDI (M1, M2, M3, M4, M5)	M3 - PTH123J25AXXXAA	
0130P00178	CORD, 277V, 20A (M13, M14, M15, M16, M17)	M4 - PTH123J25CXXXAA	
0130P00186	CORD, 277V, 30A (M18, M19)	M5 - PTH123J25VXXXAA	
0130P00185	CORD,250VAC,30A (LCDI) (M10, M11, M12)	M6 - PTH123J35AXXXAA	
0161P00140	COVER WIRE	M7 - PTH123J35CXXXAA	
0161P00055	FAN CONDENSER	M8 - PTH123J35PXXXAA	
3P263839-1	FERRITE CORE	M9 - PTH123J35VXXXAA	
A3410402	FUSE-15A - BLUE (M13, M14)	M10 - PTH123J50AXXXAA	
A3410403	FUSE-20A - ORANGE (M15, M16, M17)	M11 - PTH123J50CXXXAA	
0275P00087	Heater 230 v-3.5 KW (M6, M7, M8, M9)	M12 - PTH123J50VXXXAA	
0275P00089	Heater 230 v-5 KW (M10, M11, M12)	M13 - PTH124J15AXXXAA	
0275P00088	Heater 265 v-3.5 KW (M15, M16, M17)	M14 - PTH124J25AXXXAA	
0275P00090	Heater 265 v-5 KW (M18, M19)	M15 - PTH124J35AXXXAA	
0275P00022	HEATER ASSY (M2)	M16 - PTH124J35CXXXAA	
0275P00026	HEATER ASSY (M13)	M17 - PTH124J35VXXXAA	
0275P00023	HEATER ASSY (M14)	M18 - PTH124J50AXXXAA	
0275P00019	HEATER ASSY (M3, M4, M5)	M19 - PTH124J50CXXXAA	
0130P00187	HUMIDITY SENSOR (M5, M9, M12, M17)		
0131P00062	INDOOR MOTOR DC (M1)		
0131P00071	INDOOR MOTOR-PSC (M18, M19)		
0131P00060	INDOOR MOTOR-PSC (M2, M3, M4, M5, M6, M7, M8, M9)		
0131P00061	INDOOR MOTOR-PSC (M10, M11, M12)		
0131P00070	INDOOR MOTOR-PSC (M13, M14, M15, M16, M17)		
PCBCP160	M90 Board Tier 1 (M2, M3, M4, M5, M6, M7, M9, M10, M11, M12, M13, M14, M15, M16, M17, M18, M19)		
PCBCP170	M90 Board Tier 2 (M1, M8)		
0130P00137	MOTOR (M5, M9, M12, M17)		
0131P00085	OUTDOOR MOTOR, DC (M8)		
0131P00066	OUTDOOR MOTOR-PSC (M1, M2, M3, M4, M5, M6, M7, M9, M10, M11, M12)		
0131P00067	OUTDOOR MOTOR-PSC (M13, M14, M15, M16, M17, M18, M19)		
0151P00024	PTAC REVERSING VLV ASSY (M13, M14, M15, M16, M17, M18, M19)		
0151P00023	PTAC REVERSING VLV ASSY (M1, M2, M3, M4, M5, M6, M7, M8, M9, M10, M11, M12)		
0130M00735	SWITCH HIGH PRESSURE		
0130P00167	THERMISTOR INDOOR		
0130P00167	THERMISTOR INDOOR		
0130P00173	THERMISTOR OUTDOOR 7MM		
0130M00726	Transformer 20VA 240/208V (M1, M2, M3, M4, M5, M6, M7, M8, M9, M10, M11, M12)		

FRONT MODULE AND CONTROL PANEL ASSEMBLY

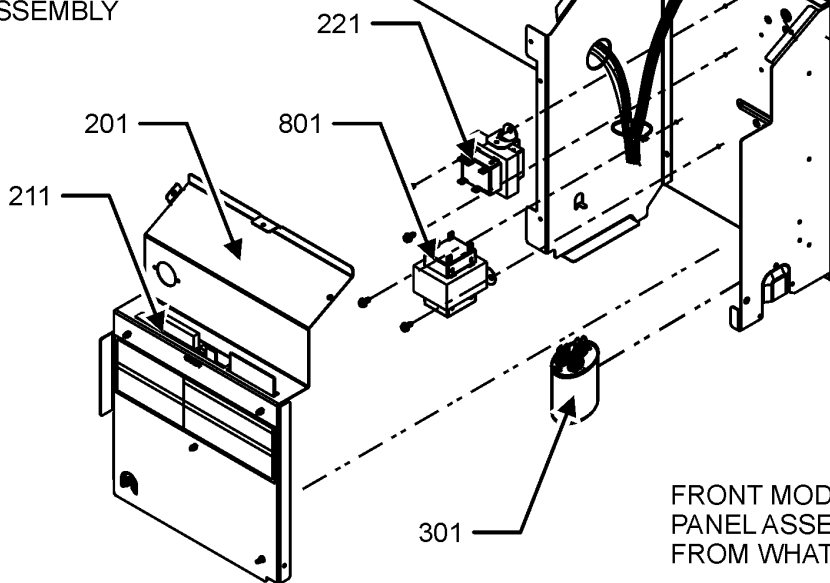
FRONT MODULE ASSEMBLY



PARTITION PANEL
REFERENCE ONLY



CONTROL PANEL ASSEMBLY



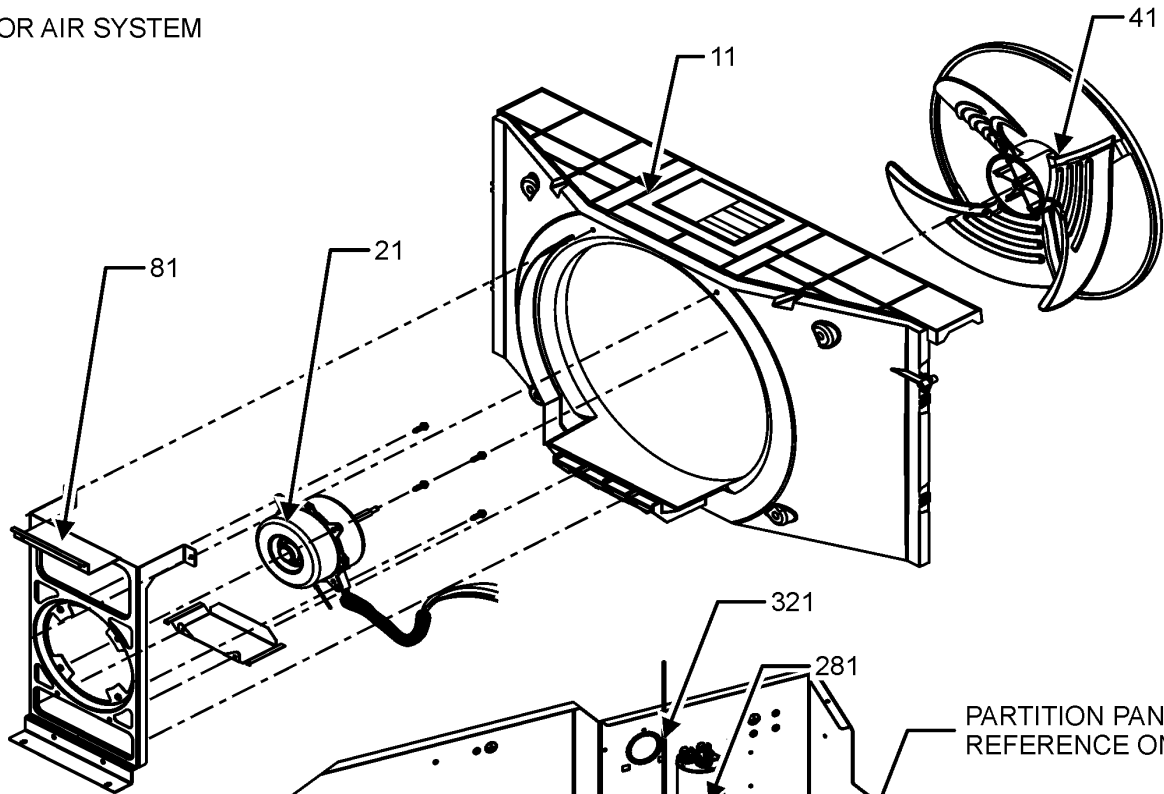
FRONT MODULE AND CONTROL
PANEL ASSEMBLY MAY DIFFER
FROM WHAT IS SHOWN

FRONT MODULE AND CONTROL PANEL ASSEMBLY

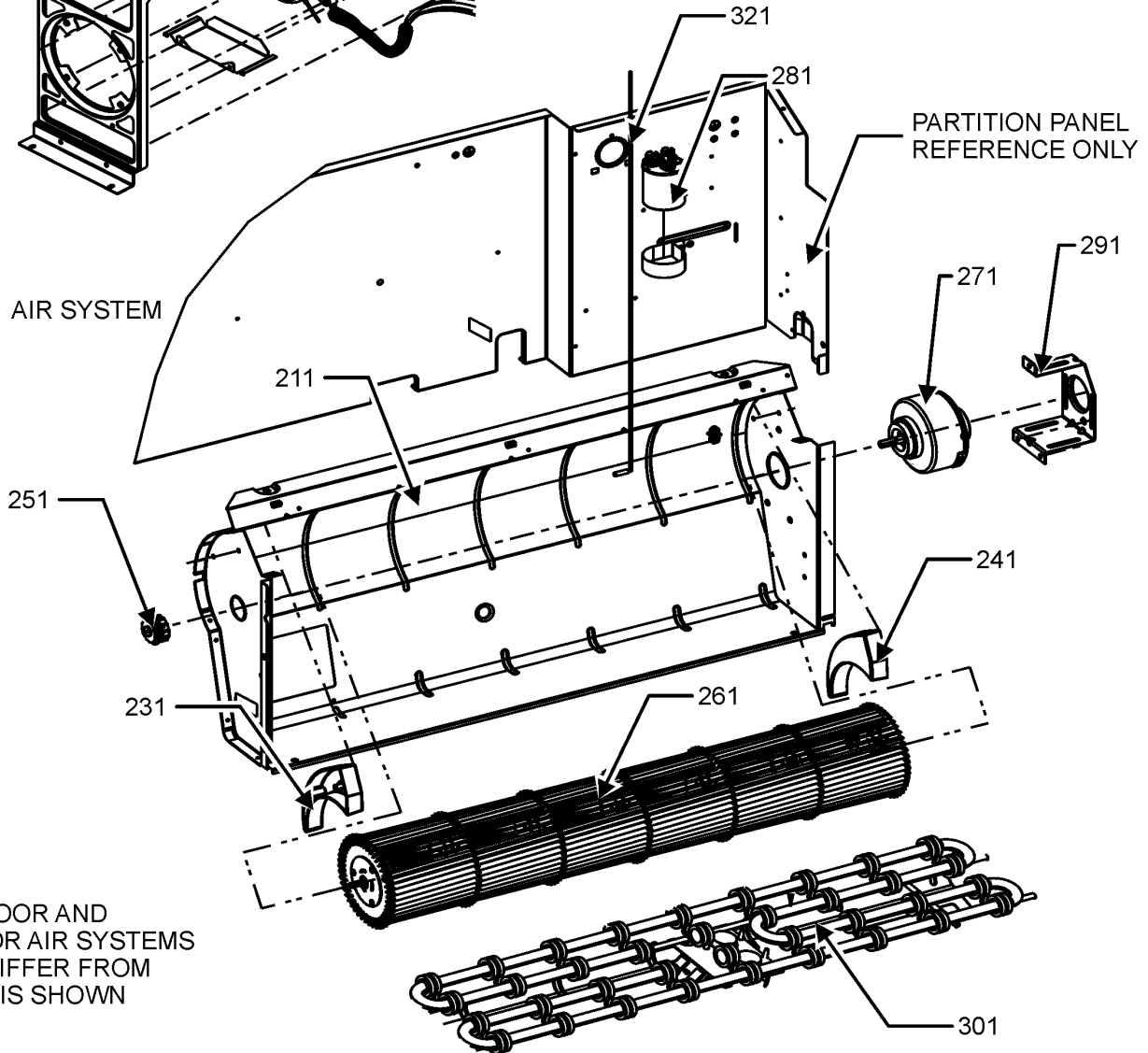
Ref. Part No:	Ref. Part No:	Description:	Description:
Image 1:		Expanded Model Nomenclature	
11	0261P00033	FRONT ASSY	M1 - PTH123J00CHXXAA
21	0161P00132	LOUVERED FRONT DISCHARGE	M2 - PTH123J15A XXXAA
31	0161P00148	FILTER RACK (QTY 2)	M3 - PTH123J25A XXXAA
51	0163P00025	CLIP (QTY 2)	M4 - PTH123J25C XXXAA
201	0121P00431	CONTROL BOX PANEL	M5 - PTH123J25V XXXAA
211	PCBCP160	M90 Board Tier 1 (M2, M3, M4, M5, M6, M7, M9, M10, M11, M12, M13, M14, M15, M16, M17, M18, M19)	M6 - PTH123J35A XXXAA
211	PCBCP170	M90 Board Tier 2 (M1, M8)	M7 - PTH123J35C XXXAA
221	0130M00726	Transformer 20VA 240/208V (M1, M2, M3, M4, M5, M6, M7, M8, M9, M10, M11, M12)	M8 - PTH123J35P XXXAA
221	0130M00728	TRANSFORMER 20VA 277V (M13, M14, M15, M16, M17, M18, M19)	M9 - PTH123J35V XXXAA
241	0121P00194BL	SCREEN DISCHARGE PAINTED (M2, M3, M4, M5, M6, M7, M8, M9, M10, M11, M12, M13, M14, M15, M16, M17, M18, M19)	M10 - PTH123J50A XXXAA
301	CAP020300450CS	CAP, 2/30 MFD/450V/DUAL RD (M13, M14, M15, M16, M17, M18, M19)	M11 - PTH123J50C XXXAA
301	CAP030300450CS	CAPACITOR, 500V (M1, M2, M3, M4, M5, M6, M7, M8, M9, M10, M11, M12)	M12 - PTH123J50V XXXAA
701	0161P00140	COVER WIRE	M13 - PTH124J15A XXXAA
721	3P263839-1	FERRITE CORE	M14 - PTH124J25A XXXAA
801	0130M00727	Transformer 40VA 240/208V (M1, M5, M9, M12)	M15 - PTH124J35A XXXAA
801	0130M00729	TRANSFORMER 40VA 277V (M17)	M16 - PTH124J35C XXXAA
NS	A3410402	FUSE-15A - BLUE (M13, M14)	M17 - PTH124J35V XXXAA
NS	A3410403	FUSE-20A - ORANGE (M15, M16, M17)	M18 - PTH124J50A XXXAA
NS	A3410404	FUSE-25A - GREEN (M18, M19)	M19 - PTH124J50C XXXAA
NS	C6476001	HOLDER-BAYONET FUSE - BLUE (M13, M14)	
NS	C6476003	HOLDER-BAYONET FUSE - GREEN (M18, M19)	
NS	C6476002	HOLDER-BAYONET FUSE - ORANGE (M15, M16, M17)	
NS	0259P00043	WIRE HARNESS KIT	

OUTDOOR AND INDOOR AIR SYSTEM

OUTDOOR AIR SYSTEM



INDOOR AIR SYSTEM



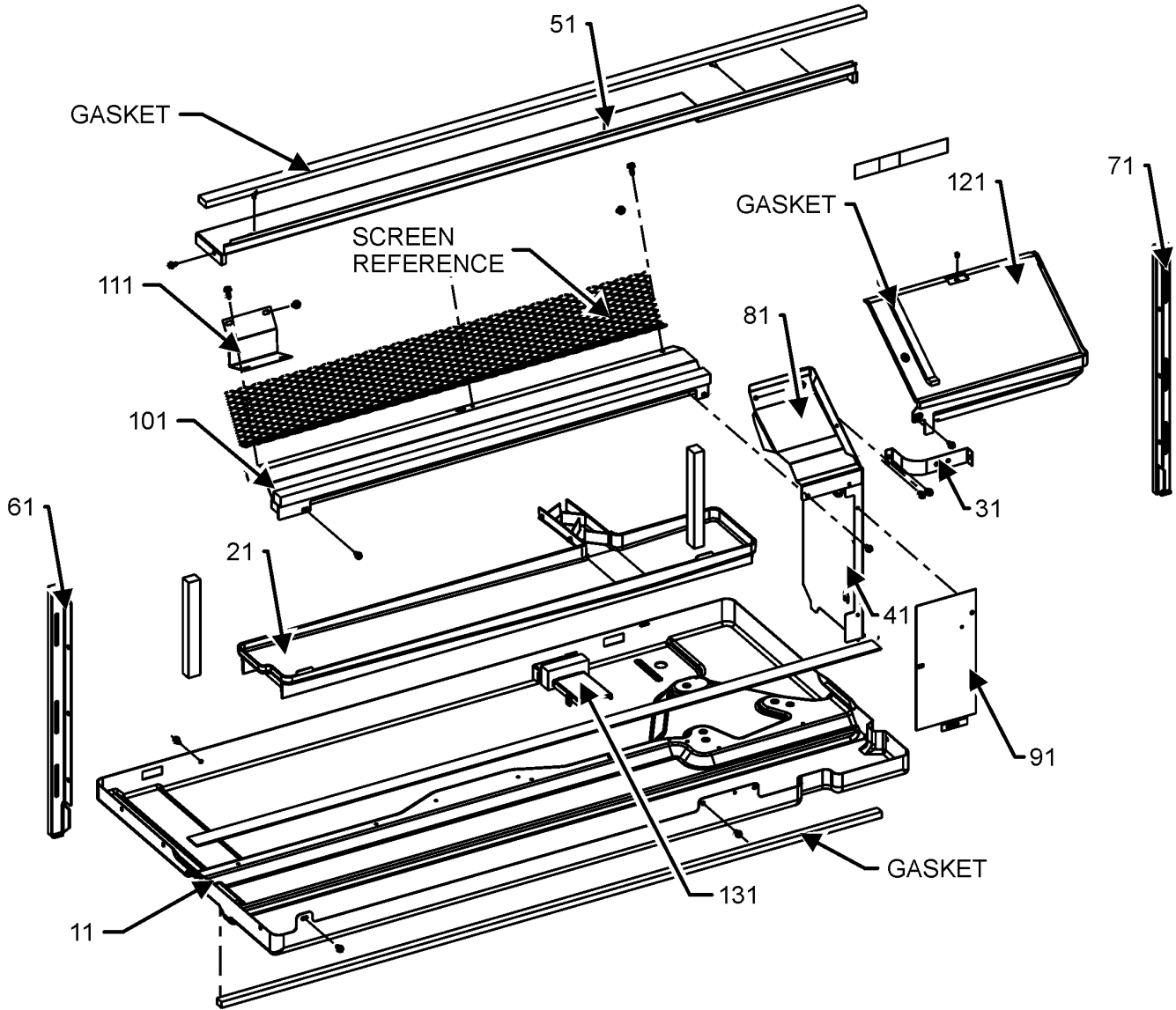
OUTDOOR AND
INDOOR AIR SYSTEMS
MAY DIFFER FROM
WHAT IS SHOWN

OUTDOOR AND INDOOR AIR SYSTEM

Ref. Part No:	Part No:	Description:	Ref. Part No:	Part No:	Description:
<i>Image 1:</i>			Expanded Model Nomenclature		
11	0261P00034	ASY CONDENSER SHROUD	M1	-	PTH123J00CHXXAA
21	0131P00085	OUTDOOR MOTOR, DC (M8)	M2	-	PTH123J15A XXXAA
21	0131P00066	OUTDOOR MOTOR-PSC (M1, M2, M3, M4, M5, M6, M7, M9, M10, M11, M12)	M3	-	PTH123J25A XXXAA
21	0131P00067	OUTDOOR MOTOR-PSC (M13, M14, M15, M16, M17, M18, M19)	M4	-	PTH123J25C XXXAA
41	0161P00055	FAN CONDENSER	M5	-	PTH123J25V XXXAA
81	0121P00350NG	MOTOR BRACKET, SHROUD	M6	-	PTH123J35A XXXAA
211	0270P01642	SCROLL ASSY	M7	-	PTH123J35C XXXAA
231	0161P00153	PTAC END CAP LEFT	M8	-	PTH123J35P XXXAA
241	0161P00152	END CAP RIGHT	M9	-	PTH123J35V XXXAA
251	0163P00027	BEARING	M10	-	PTH123J50A XXXAA
261	0150P00005	WHEEL BLOWER	M11	-	PTH123J50C XXXAA
271	0131P00062	INDOOR MOTOR DC (M1)	M12	-	PTH123J50V XXXAA
271	0131P00060	INDOOR MOTOR-PSC (M2, M3, M4, M5, M6, M7, M8, M9)	M13	-	PTH124J15A XXXAA
271	0131P00061	INDOOR MOTOR-PSC (M10, M11, M12)	M14	-	PTH124J25A XXXAA
271	0131P00070	INDOOR MOTOR-PSC (M13, M14, M15, M16, M17)	M15	-	PTH124J35A XXXAA
271	0131P00071	INDOOR MOTOR-PSC (M18, M19)	M16	-	PTH124J35C XXXAA
281	CAP010000500RP	CAPACITOR (M13, M14, M15, M16, M17)	M17	-	PTH124J35V XXXAA
281	CAP015000500RP	CAPACITOR (M18, M19)	M18	-	PTH124J50A XXXAA
281	CAP020000440RP	CAPACITOR (M2, M3, M4, M5, M6, M7, M8, M9, M10, M11, M12)	M19	-	PTH124J50C XXXAA
291	0121P00048	BRACKET MOTOR MOUNT			
301	0275P00087	Heater 230 v -3.5 KW (M6, M7, M8, M9)			
301	0275P00089	Heater 230 v -5 KW (M10, M11, M12)			
301	0275P00088	Heater 265 v -3.5 KW (M15, M16, M17)			
301	0275P00090	Heater 265 v -5 KW (M18, M19)			
301	0275P00019	HEATER ASSY (M3, M4, M5)			
301	0275P00022	HEATER ASSY (M2)			
301	0275P00023	HEATER ASSY (M14)			
301	0275P00026	HEATER ASSY (M13)			
321	0130P00167	THERMISTOR INDOOR			
NS	0163P00029	CAPACITOR CLAMP			
NS	0130P00177	CORD, 250 VAC, 20A (LCDI (M6, M7, M8, M9)			
NS	0130P00184	CORD, 250VAC, 15A, (LCDI (M1, M2, M3, M4, M5)			
NS	0130P00178	CORD, 277V, 20A (M13, M14, M15, M16, M17)			
NS	0130P00186	CORD, 277V, 30A (M18, M19)			
NS	0130P00185	CORD,250VAC,30A (LCDI) (M10, M11, M12)			
NS	0163P00052	THERMISTOR CLAMP			

BASE PAN ASSEMBLY

BASE PAN ASSEMBLY



BASE PAN ASSEMBLY MAY DIFFER FROM WHAT IS SHOWN

BASE PAN ASSEMBLY

Ref. Part No:	Ref. Part No:	Description:	Description:
---------------	---------------	--------------	--------------

Image 1:

11	0121P00284DG	BASE PAN PAINTED (M2, M3, M5, M6, M8, M9, M10, M12, M13, M14, M15, M17, M18)
11	0121P00284NG	BASE PAN PAINTED (M1, M4, M7, M11, M16, M19)
21	0161P00154	PLASTIC- DRAIN PAN
31	C6300502	STAP CAP CO PTC
41	0121P00432	PANEL MID PRT
51	0121P00376NG	PANEL, TOP PARTITION, PAINTED
61	0121P00379	SEAL L SIDE PTC
71	0121P00380	SEAL R SIDE PTC
81	0121P00371DG	PAINTED COVER MOTOR
91	0121P00374	COVER ACCESS
101	0121P00377DG	CUTOFF SCROLL DG
111	0121P00233	LEFT SIDE SCRILL BLOCKOFF
121	0161P00142	SPLASH GUARD
131	0161P00147	COVER DRAIN PAN

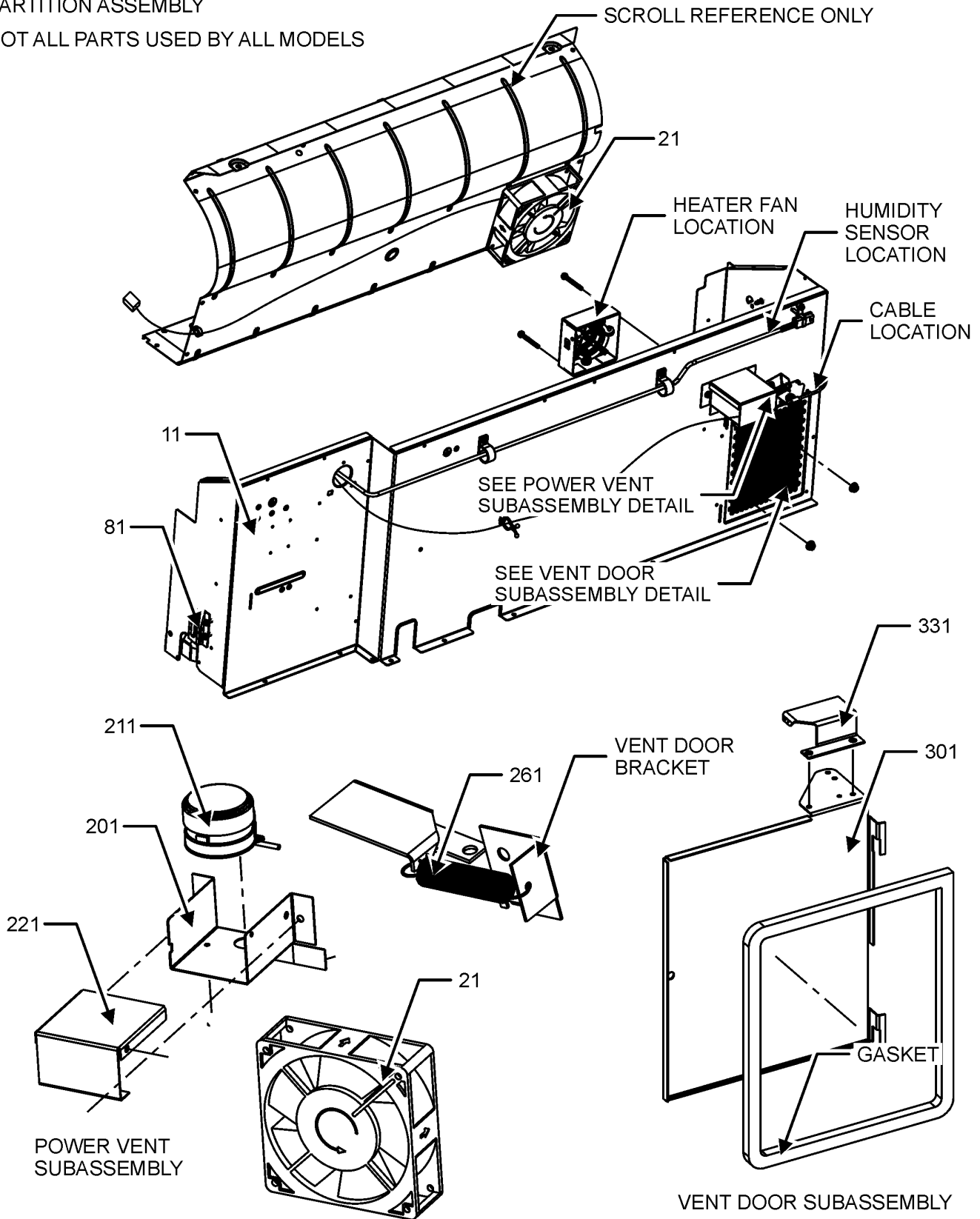
Expanded Model Nomenclature

M1 - PTH123J00CHXXAA
M2 - PTH123J15AXXXAA
M3 - PTH123J25AXXXAA
M4 - PTH123J25CXXXAA
M5 - PTH123J25VXXXAA
M6 - PTH123J35AXXXAA
M7 - PTH123J35CXXXAA
M8 - PTH123J35PXXXAA
M9 - PTH123J35VXXXAA
M10 - PTH123J50AXXXAA
M11 - PTH123J50CXXXAA
M12 - PTH123J50VXXXAA
M13 - PTH124J15AXXXAA
M14 - PTH124J25AXXXAA
M15 - PTH124J35AXXXAA
M16 - PTH124J35CXXXAA
M17 - PTH124J35VXXXAA
M18 - PTH124J50AXXXAA
M19 - PTH124J50CXXXAA

PARTITION ASSEMBLY

PARTITION ASSEMBLY

NOT ALL PARTS USED BY ALL MODELS



PARTITION ASSEMBLY MAY DIFFER FROM WHAT IS SHOWN

PARTITION ASSEMBLY

Ref. Part No:	Ref. Part No:	Description:	Description:
---------------	---------------	--------------	--------------

Image 1:

11	0121P00360NG	PANEL PARTITION
21	0131P00081	FAN MUFFIN (M5, M9, M12, M17)
81	11191703	BRKT-PART PAN (M2, M3, M4, M5, M6, M7, M8, M9, M10, M11, M12, M13, M14, M15, M16, M17, M18, M19)
201	11166101	BRKT-MOTOR PTC (M5, M9, M12, M17)
211	0130P00137	MOTOR (M5, M9, M12, M17)
221	11166201	BRKT-COVER PTC (M5, M9, M12, M17)
261	11166401	SPRING-EXTENSION (M5, M9, M12, M17)
301	0121P00177NG	DOOR PNT VENT PTC
331	0121P00180	BRKT POWER VENT (M5, M9, M12, M17)
NS	0121P00079	BRACKET, VENT DOOR (M5, M9, M12, M17)
NS	0121P00072NG	BRACKET, VENT DOOR-C (M1, M2, M3, M4, M6, M7, M8, M10, M11, M13, M14, M15, M16, M18, M19)
NS	0163P00019	CABLE (M1, M2, M3, M4, M6, M7, M8, M10, M11, M13, M14, M15, M16, M18, M19)
NS	0130P00187	HUMIDITY SENSOR (M5, M9, M12, M17)
NS	11046302	LEVER ARM PTC (M1, M2, M3, M4, M6, M7, M8, M10, M11, M13, M14, M15, M16, M18, M19)
NS	0259P00039	WIRE HARNESS (M5, M9, M12, M17)

Expanded Model Nomenclature

M1 - PTH123J00CHXXAA
M2 - PTH123J15AXXXAA
M3 - PTH123J25AXXXAA
M4 - PTH123J25CXXXAA
M5 - PTH123J25VXXXAA
M6 - PTH123J35AXXXAA
M7 - PTH123J35CXXXAA
M8 - PTH123J35PXXXAA
M9 - PTH123J35VXXXAA
M10 - PTH123J50AXXXAA
M11 - PTH123J50CXXXAA
M12 - PTH123J50VXXXAA
M13 - PTH124J15AXXXAA
M14 - PTH124J25AXXXAA
M15 - PTH124J35AXXXAA
M16 - PTH124J35CXXXAA
M17 - PTH124J35VXXXAA
M18 - PTH124J50AXXXAA
M19 - PTH124J50CXXXAA

REFRIGERATION ASSEMBLY

Ref. Part No:	Ref. Part No:	Description:	Description:
Image 1:		Expanded Model Nomenclature	
31	0202P00113	7MM EVAP ASSY 3 ROW	M1 - PTH123J00CHXXAA
51	0201P00171MB	7mm CONDENSOR COIL ASSY (M1, M4, M7, M11, M16, M19)	M2 - PTH123J15A XXXAA
51	0201P00156	ASSY., 7MM CONDENSER COIL (M2, M3, M5, M6, M8, M9, M10, M12, M13, M14, M15, M17, M18)	M3 - PTH123J25A XXXAA
181	0151P00023	PTAC REVERSING VLV ASSY (M1, M2, M3, M4, M5, M6, M7, M8, M9, M10, M11, M12)	M4 - PTH123J25C XXXAA
181	0151P00024	PTAC REVERSING VLV ASSY (M13, M14, M15, M16, M17, M18, M19)	M5 - PTH123J25V XXXAA
191	0130M00735	SWITCH HIGH PRESSURE	M6 - PTH123J35A XXXAA
201	0210P00597	ASSY., CAPILLARY WELDMENT (M1, M2, M3, M4, M5, M6, M7, M8, M9, M10, M11, M12)	M7 - PTH123J35C XXXAA
201	0210P00739	CAPILLARY ASSY (M13, M14, M15, M16, M17, M18, M19)	M8 - PTH123J35P XXXAA
221	M0570805	PLUG BUTTON (M8)	M9 - PTH123J35V XXXAA
231	20406303	VALVE-BASEPAN	M10 - PTH123J50A XXXAA
311	0130P00173	THERMISTOR OUTDOOR 7MM	M11 - PTH123J50C XXXAA
321	0130P00167	THERMISTOR INDOOR	M12 - PTH123J50V XXXAA
401	60100107	TERMINAL COVER GASKET	M13 - PTH124J15A XXXAA
431	60100317	TERMINAL COVER	M14 - PTH124J25A XXXAA
441	60100201	WASHER - RECHI COMPRESSOR	M15 - PTH124J35A XXXAA
451	60100401	TERMINAL NUT - RECHI COMP	M16 - PTH124J35C XXXAA
471	44W287GK&JELD	Compressor-R32 (M13, M14, M15, M16, M17, M18, M19)	M17 - PTH124J35V XXXAA
471	44X2H2KK&FELC	Compressor-R32 (M1, M2, M3, M4, M5, M6, M7, M8, M9, M10, M11, M12)	M18 - PTH124J50A XXXAA
481	60130203	GROMMET - RECHI COMPRESSOR (QTY 3)	M19 - PTH124J50C XXXAA
491	0163M00079	SCREW SHOULDER (QTY 3)	
NS	0130P00022	REVERSING VALVE COIL	
NS	0151M00026	VALVE, CHECK	
NS	0259P00036	WIRE HARNESS	