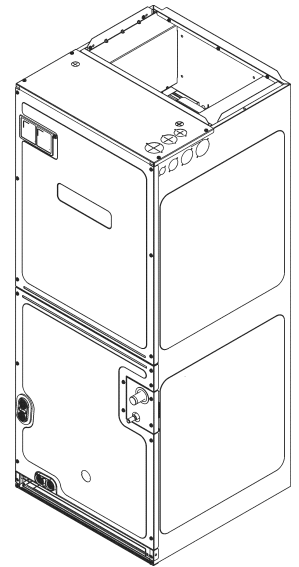


AHVE Air Handler Inverter

AHVE24BP0300AA
AHVE24BP1300AA
AHVE36CP0300AA
AHVE36CP1300AA
AHVE42CP0300AA
AHVE42CP1300AA
AHVE48CP0300AA
AHVE48CP1300AA
AHVE48DP0300AA
AHVE48DP1300AA
AHVE60DP0300AA
AHVE60DP1300AA



Amana® is a registered trademark of Maytag Corporation or its related companies and is used under license. All rights reserved.

This manual is to be used by qualified technicians only.

© 2024 Goodman Company, L.P. ♦ 19001 Kermier Rd. ♦ Waller, TX 77484

Important Information

Index

Functional Parts List	3
Illustration and Parts	4 - 9

Views shown are for parts illustrations only, not servicing procedures.

Text Codes:

AR - As Required

NA - Not Available

NS - Not Shown

00000000 - See Note

QTY - Quantity Example (QTY 3) (If Quantity not shown, Quantity = 1)

M - Model Example (M1) (If M Code not shown, then part is used on all Models)

Expanded Model Nomenclature:

Example M1 - Model#1 M2 - Model#2 M3 - Model#3

Goodman Company, L.P. is not responsible for personal injury or property damage resulting from improper service. Review all service information before beginning repairs.

Warranty service must be performed by an authorized technician, using authorized factory parts. If service is required after the warranty expires, Goodman Company, L.P. also recommends contacting an authorized technician and using authorized factory parts.

Goodman Company, L.P. reserves the right to discontinue, or change at any time, specifications or designs without notice or without incurring obligations.

For assistance within the U.S.A. contact:

Homeowner Support
Goodman Company, L.P.
19001 Kermier Road
Waller, Texas 77484
877-254-4729-Telephone
713-863-2382-Facsimile

For assistance outside the U.S.A. contact:

International Division
Goodman Company, L.P.
19001 Kermier Road
Waller, Texas 77484
713-861-2500-Telephone
713-863-2382-Facsimile

Functional Parts

Part

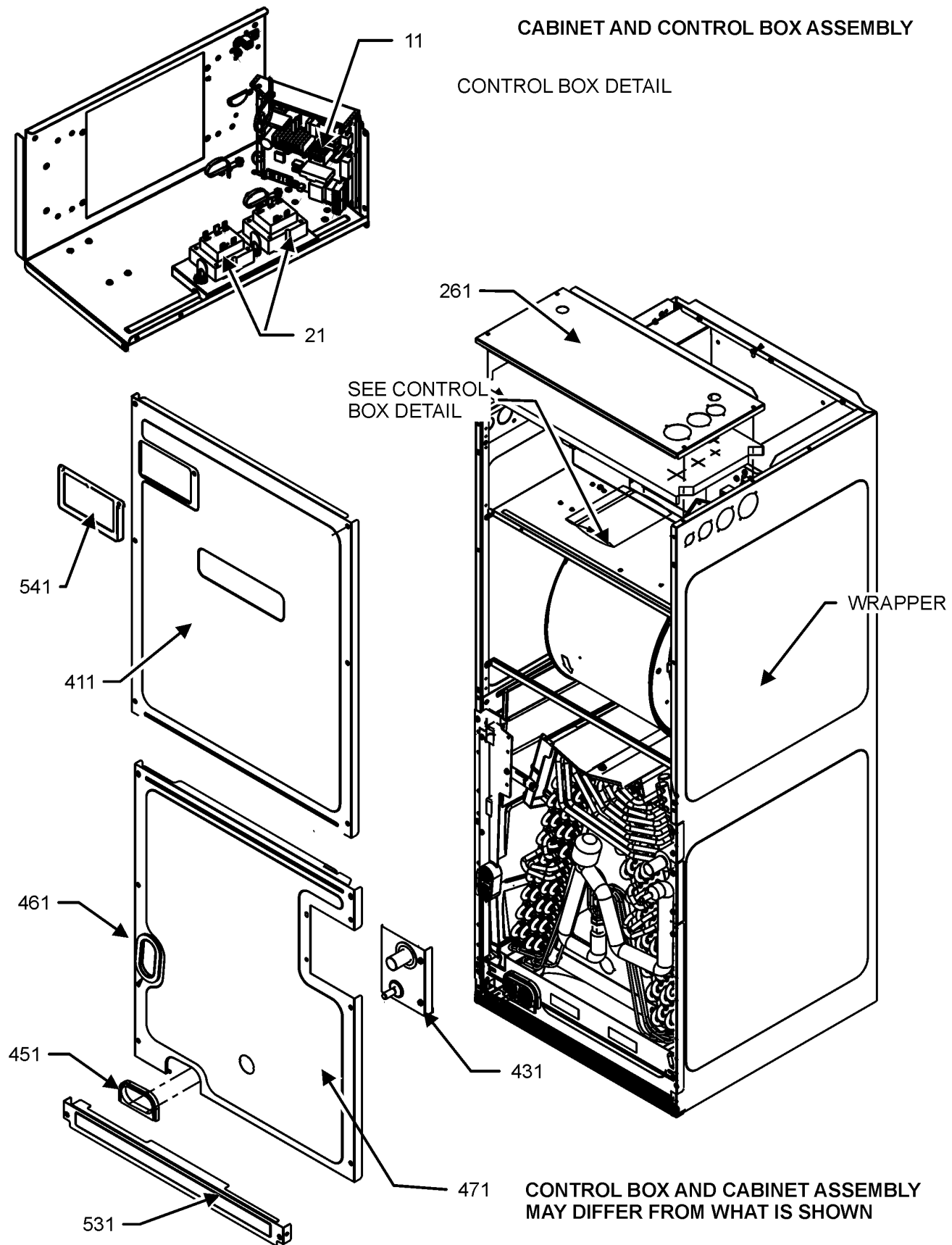
No: Description:

SHARED DATA	Available thru CoolCloud HVAC app
0121A00913	BRACKET, TRANSFORMER
0131M01011	MOTOR, 1 HP (M11, M12)
0131M01002	MOTOR, 1/2 HP (M1, M2)
0131M01003	MOTOR, 3/4 HP (M3, M4, M5, M6, M7, M8, M9, M10)
2P765719-1	PCB ASSY
3S481012-2	PRESSURE SENSOR (M3, M4, M5, M6, M7, M8, M9, M10, M11, M12)
3S481012-1	PRESSURE SENSOR (M1, M2)
3S500031-1	Pulse Motor Expans EEV
SER2A05012	SENSATA R32 SENSOR
0230A00053	TRANSFORMER BRKT ASSY (M1, M3, M5, M7, M9, M11)
0230A00052	TRANSFORMER BRKT ASSY (M2, M4, M6, M8, M10, M12)
0130M00138	TRANSFORMER, 208/230, 24V (M2, M4, M6, M8, M10, M12)
0130M00139	TRANSFORMER, 40VA,120VTO24V (M1, M3, M5, M7, M9, M11)

Expanded Model Nomenclature

M1 - AHVE24BP0300AA
M2 - AHVE24BP1300AA
M3 - AHVE36CP0300AA
M4 - AHVE36CP1300AA
M5 - AHVE42CP0300AA
M6 - AHVE42CP1300AA
M7 - AHVE48CP0300AA
M8 - AHVE48CP1300AA
M9 - AHVE48DP0300AA
M10 - AHVE48DP1300AA
M11 - AHVE60DP0300AA
M12 - AHVE60DP1300AA

WRAPPER AND CONTROL BOX ASSY



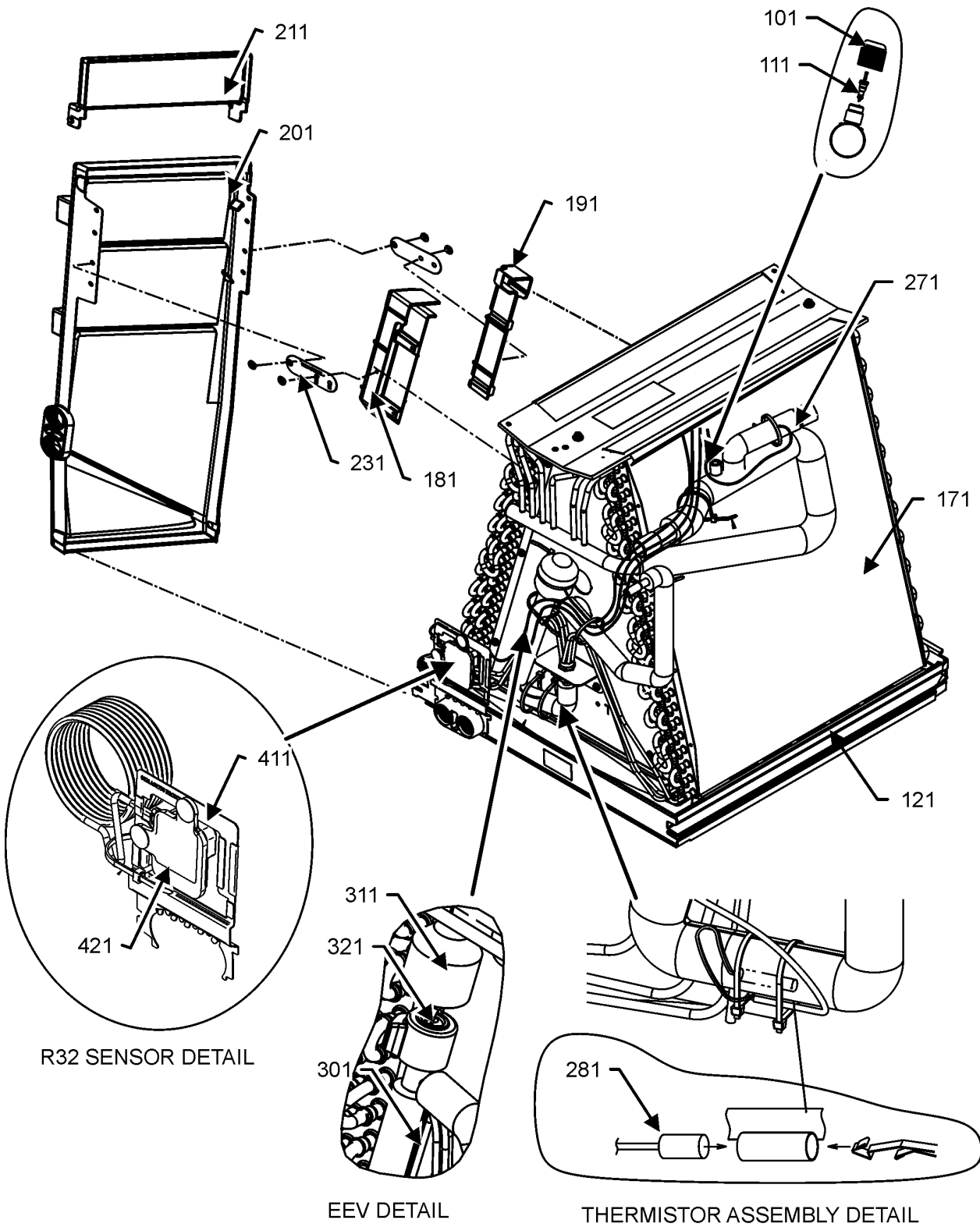
WRAPPER AND CONTROL BOX ASSY

Ref. Part No:	Ref. Part No:	Description:	Description:
Image 1:		Expanded Model Nomenclature	
11	2P765719-1	PCB ASSY	M1 - AHVE24BP0300AA
21	0130M00138	TRANSFORMER, 208/230, 24V (M2, M4, M6, M8, M10, M12)	M2 - AHVE24BP1300AA
21	0130M00139	TRANSFORMER, 40VA,120VTO24V (M1, M3, M5, M7, M9, M11)	M3 - AHVE36CP0300AA
261	0121A01483PDG	PLATE, UPPER TIE (M1, M2)	M4 - AHVE36CP1300AA
261	0121A01484PDG	PLATE, UPPER TIE (M3, M4, M5, M6, M7, M8)	M5 - AHVE42CP0300AA
261	0121A01485PDG	PLATE, UPPER TIE (M9, M10, M11, M12)	M6 - AHVE42CP1300AA
411	0121A01440PDG	PANEL, UPPER ACCESS (M9, M10, M11, M12)	M7 - AHVE48CP0300AA
411	0121A01441PDG	PANEL, UPPER ACCESS (M3, M4, M5, M6, M7, M8)	M8 - AHVE48CP1300AA
411	0121A01442PDG	PANEL, UPPER ACCESS (M1, M2)	M9 - AHVE48DP0300AA
431	0121A00658PDG	Panel, Refrigerant Tubing	M10 - AHVE48DP1300AA
451	0154A00006BL	Gasket, Drain Pan (M9, M10, M11, M12)	M11 - AHVE60DP0300AA
451	0154D00037	GASKET, DRAIN PAN (M1, M2, M3, M4, M5, M6, M7, M8)	M12 - AHVE60DP1300AA
461	0154A00007BL	GASKET, DRAIN PAN	
471	0121A00460PDG	LOWER ACCESS PANEL (M9, M10)	
471	0121A00618PDG	LOWER ACCESS PANEL (M11, M12)	
471	0121A01470PDG	LOWER ACCESS PANEL PAINTED (M1, M2)	
471	0121A01477PDG	LOWER ACCESS PANEL PAINTED (M3, M4, M5, M6)	
471	0121A01478PDG	LOWER ACCESS PANEL,PAINTED (M7, M8)	
531	0121A00242PDG	Panel, Filter Access (M1, M2)	
531	0121A00243PDG	Panel, Filter Access (M3, M4, M5, M6, M7, M8)	
531	0121A00244PDG	Panel, Filter Access (M9, M10, M11, M12)	
541	0161A00073	CIRCUIT BREAKER COVER	
NS	B1392136	2.00" VIEW PORT BUSHING	
NS	SHARED DATA	Available thru CoolCloud HVAC app	
NS	0121A00913	BRACKET, TRANSFORMER	
NS	0161A00073	CIRCUIT BREAKER COVER	
NS	0164A00002	GROMMET	
NS	0163M00036	SCREW,#10X1/2,B,BZ,SLOT,SR,BLK (QTY 4)	
NS	0163A00026	THUMB SCREW (QTY 2)	
NS	0230A00052	TRANSFORMER BRKT ASSY (M2, M4, M6, M8, M10, M12)	
NS	0230A00053	TRANSFORMER BRKT ASSY (M1, M3, M5, M7, M9, M11)	
NS	BT1392909	WASHER; SS RETAINING (QTY 2)	
NS	0259A00067	WIRE ASSY, 12 PIN FEMALE CONN.	
NS	0259A00021	WIRE ASSY, 9 PIN FEMALE CONN. (M2, M4, M6, M8, M10, M12)	
NS	0259A00089	WIRE HARNESS CONNECTOR (M1, M3, M5, M7, M9, M11)	
NS	0259A00063	WIRE HARNESS, CONNECTOR (M2, M4, M6, M8, M10, M12)	

COIL ASSEMBLY

COIL TUBING ASSEMBLY

VALVE CORE AND O-RING DETAIL



R32 SENSOR DETAIL

EEV DETAIL

THERMISTOR ASSEMBLY DETAIL

COIL TUBING ASSEMBLY MAY DIFFER FROM WHAT IS SHOWN

COIL ASSEMBLY

Ref. Part No:	No:	Description:	Ref. Part No:	No:	Description:
Image 1:					
101	0163M00629	RED CAP WITH O-RING			
111	0151M00104	VALVE CORE			
121	0161A00122	DRAIN PAN MAIN, E COIL (M1, M2)			
121	0161A00123	DRAIN PAN MAIN, E COIL (M3, M4, M5, M6, M7, M8)			
121	0161A00166	DRAIN PAN MAIN, E COIL (M9, M10, M11, M12)			
171	0270A01910	TUBING ASSY, EVAP COIL (M3, M4)			
171	0270A01922	TUBING ASSY, EVAP COIL (M11, M12)			
171	0270A01946	TUBING ASSY, EVAP COIL (M1, M2)			
171	0270A02059	TUBING ASSY, EVAP COIL (M9, M10)			
171	0270A02087	TUBING ASSY, EVAP COIL (M7, M8)			
181	0270A02088	TUBING ASSY, EVAP COIL (M5, M6)			
191	0161A00158	CONDENSATE COLLECTOR, BACK			
201	0161A00152	DRAIN PAN, SIDE (M1, M2)			
201	0161A00153	DRAIN PAN, SIDE (M3, M4, M5, M6, M7, M8, M9, M10)			
201	0161A00154	DRAIN PAN, SIDE (M11, M12)			
211	0161A00155	DRAIN PAN EXT, E COIL			
231	0121D00882	BRKT, 2"-C (M1, M2, M3, M4, M5, M6, M7, M8)			
231	0121D01262	BRKT, 4"-C (M9, M10, M11, M12)			
271	3S481012-1	PRESSURE SENSOR (M1, M2)			
271	3S481012-2	PRESSURE SENSOR (M3, M4, M5, M6, M7, M8, M9, M10, M11, M12)			
281	4P389796-2	THERMISTOR ASSY			
301	3P381420-2	EEV COIL			
311	4P399446-1	WATERPROOF CAP			
321	3S500031-1	Pulse Motor Expans EEV			
411	0121A01738	SENSOR BRACKET			
421	SER2A05012	SENSATA R32 SENSOR			

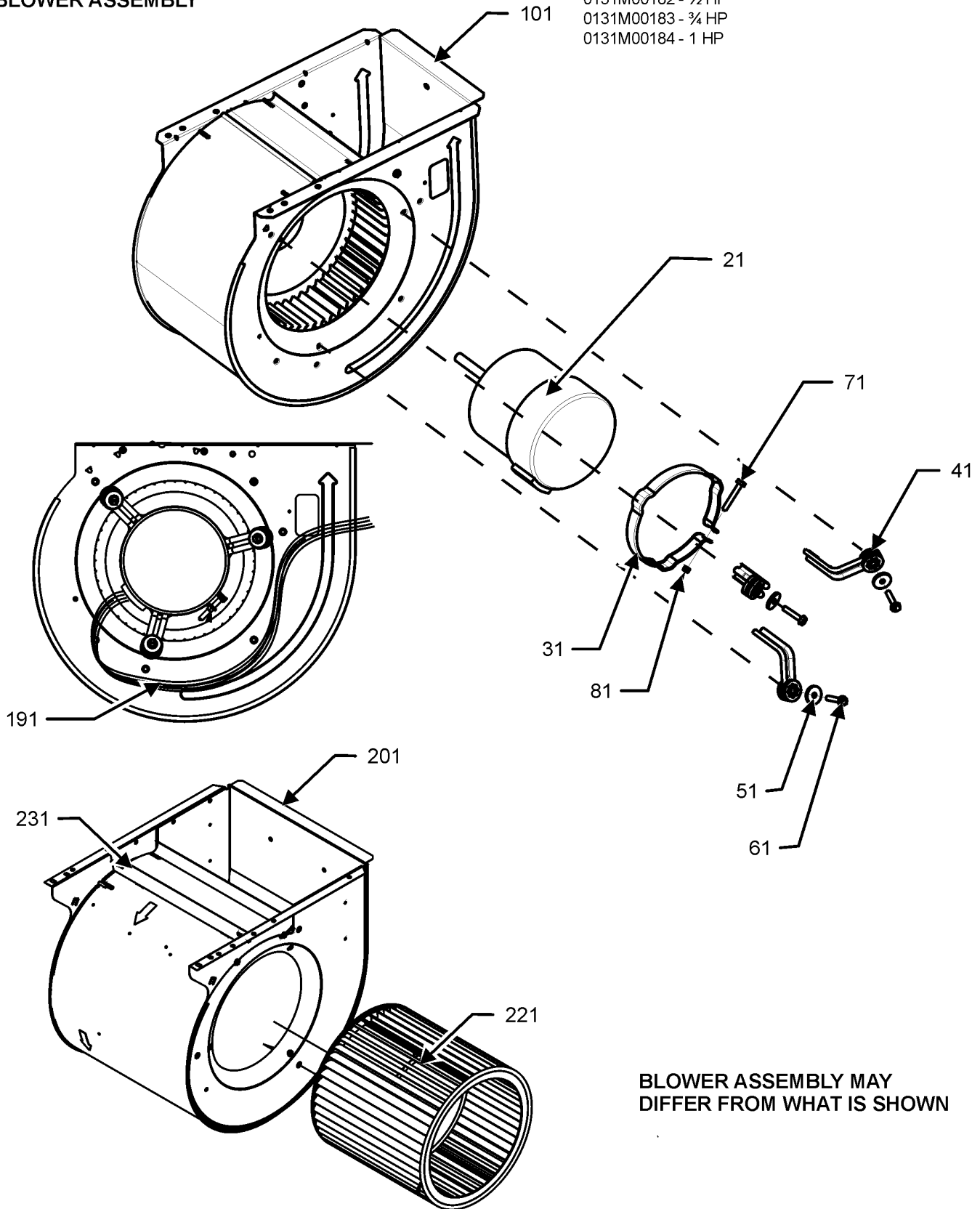
Expanded Model Nomenclature

M1 - AHVE24BP0300AA
M2 - AHVE24BP1300AA
M3 - AHVE36CP0300AA
M4 - AHVE36CP1300AA
M5 - AHVE42CP0300AA
M6 - AHVE42CP1300AA
M7 - AHVE48CP0300AA
M8 - AHVE48CP1300AA
M9 - AHVE48DP0300AA
M10 - AHVE48DP1300AA
M11 - AHVE60DP0300AA
M12 - AHVE60DP1300AA

BLOWER ASSEMBLY

BLOWER ASSEMBLY

*If end bells are needed please order the following:
0131M00182 - 1/2 HP
0131M00183 - 3/4 HP
0131M00184 - 1 HP



**BLOWER ASSEMBLY MAY
DIFFER FROM WHAT IS SHOWN**

BLOWER ASSEMBLY

Ref. Part No:	No:	Description:	Ref. Part No:	No:	Description:
Image 1:					
21	0131M01011	MOTOR, 1 HP (M11, M12)			
21	0131M01002	MOTOR, 1/2 HP (M1, M2)			
21	0131M01003	MOTOR, 3/4 HP (M3, M4, M5, M6, M7, M8, M9, M10)			
31	0121M00038	MOTOR MOUNT BAND (M1, M2)			
31	0121M00039	MOTOR MOUNT BAND (HEAVY DUTY) (M3, M4, M5, M6, M7, M8, M9, M10, M11, M12)			
41	0171M00011	MOTOR MOUNT ARM (M1, M2)			
41	0163M00538	MOUNT ARM, MOTOR (M3, M4, M5, M6, M7, M8, M9, M10, M11, M12)			
51	B1392918	WASHER, FLAT 1/4 ID X 1 OD (QTY 3)			
61	M0250565	SCREW-TC 1.25" (QTY 3)			
71	0163M00320	HEX HED ALL THREAD TAP BOLT			
81	B1393800	LOCKNUT, NYLON, INSERT 1/4,20			
101	0271A00206	BLOWER SHELL ASSY (M7, M8, M9, M10, M11, M12)			
101	0271A00299	BLOWER SHELL ASSY 9X6,MORRISON (M1, M2)			
191	0259M00008	WIRE HARNESS			
201	0271A00016	BLOWER SHELL ASSY (M3, M4, M5, M6)			
231	764741	BLOWER BLOCK-OFF 10 X 10 (M3, M4, M5, M6)			
221	0150M00059	WHEEL, BLOWER (M3, M4, M5, M6)			
NS	0163M00003P	SCREW,#10 X 1/2,A,SLOT,SR,BLK (QTY 14)			

Expanded Model Nomenclature

M1 - AHVE24BP0300AA
M2 - AHVE24BP1300AA
M3 - AHVE36CP0300AA
M4 - AHVE36CP1300AA
M5 - AHVE42CP0300AA
M6 - AHVE42CP1300AA
M7 - AHVE48CP0300AA
M8 - AHVE48CP1300AA
M9 - AHVE48DP0300AA
M10 - AHVE48DP1300AA
M11 - AHVE60DP0300AA
M12 - AHVE60DP1300AA