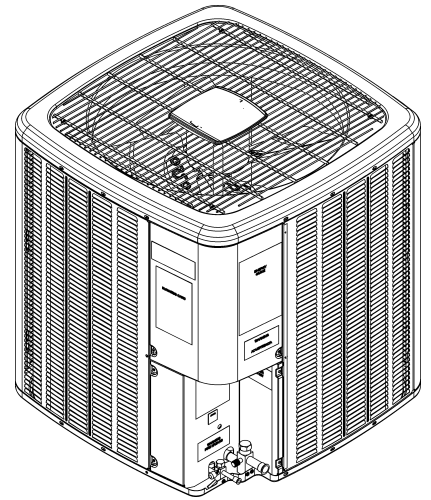


ALZS5BA Remote Heat Pump

ALZS5BA1810AA
ALZS5BA2410AA
ALZS5BA3010AA
ALZS5BA3610AA
ALZS5BA4210AA
ALZS5BA4810AA
ALZS5BA6010AA



Amana® is a registered trademark of Maytag Corporation or its related companies and is used under license. All rights reserved.

This manual is to be used by qualified technicians only.

© 2024 Goodman Company, L.P. ♦ 19001 Kermier Rd. ♦ Waller, TX 77484

Important Information

Index

Functional Parts List	3
Illustration and Parts	4 - 9

Views shown are for parts illustrations only, not servicing procedures.

Text Codes:

AR - As Required

NA - Not Available

NS - Not Shown

00000000 - See Note

QTY - Quantity Example (QTY 3) (If Quantity not shown, Quantity = 1)

M - Model Example (M1) (If M Code not shown, then part is used on all Models)

Expanded Model Nomenclature:

Example
M1 - Model#1
M2 - Model#2
M3 - Model#3

Goodman Company, L.P. is not responsible for personal injury or property damage resulting from improper service. Review all service information before beginning repairs.

Warranty service must be performed by an authorized technician, using authorized factory parts. If service is required after the warranty expires, Goodman Company, L.P. also recommends contacting an authorized technician and using authorized factory parts.

Goodman Company, L.P. reserves the right to discontinue, or change at any time, specifications or designs without notice or without incurring obligations.

For assistance within the U.S.A. contact:

Homeowner Support
Goodman Company, L.P.
19001 Kermier Road
Waller, Texas 77484
877-254-4729-Telephone
713-863-2382-Facsimile

For assistance outside the U.S.A. contact:

International Division
Goodman Company, L.P.
19001 Kermier Road
Waller, Texas 77484
713-861-2500-Telephone
713-863-2382-Facsimile

Functional Parts

Part No: **Description:**

0151R00285	BASE VALVE 3/4", R32 (M1, M2, M3)
0151R00287	BASE VALVE 3/8", R32
0151R00286	BASE VALVE 7/8", R32 (M4, M5, M6, M7)
CAB050300440CS	CAP, 5/30 MFD/440V RD - BPRF (M2)
CAB050350440CS	CAP, 5/35 MFD/440V RD - BPRF (M1)
CAB050400440CT	CAP, 5/40 MFD/440V RD - BPRF (M3, M4, M7)
CAB050450440CT	CAP, 5/45 MFD/440V RD - BPRF (M5, M6)
YP25K1TPFVASE	COMPRESSOR (M3)
YP20K1TPFVASE	COMPRESSOR (M2)
YP31K1TPFVASE	COMPRESSOR (M4)
YP34K1TPFVASC	COMPRESSOR (M5)
YP40K1TPFVASC	COMPRESSOR (M6)
YPS51K1TPFVASC	COMPRESSOR (M7)
YP14K1TPFVASE	COMPRESSOR (M1)
CONT1P030024D	CONT, 1 POLE, 30 AMP, 24VAC (M1, M2, M3, M4, M5, M6)
CONT2P040024D	CONT, 2 POLE, 40 AMP, 24VAC (M7)
0130M00884	CONTROL, DEFROST (M1, M2, M3, M4, M5)
0130M00250	CONTROL, DEFROST (M6, M7)
571006700	CoreSense Module
0130M00106	DISC THERMOSTAT CRNKCS HTR SW
0150M00008	FAN BLADE, 22" TNT2203-25 (M1, M2)
0150M00066	FAN BLADE, 26" (M3, M4, M5, M6, M7)
0163R00007	HEATER, CRANKCASE 230V, 40W (M5, M6, M7)
0163R00006	HEATER, CRANKCASE 230V, 40W (M1, M2, M3, M4)
0131M00807	MOTOR, 1/4HP, 1SP, 8PL, AL (M5, M6)
0131M00866	MOTOR, 1/5 HP, 2SP, 8PL (M7)
0131M00753	MOTOR, 1/6HP, 1SP, 8PL, AL (M1, M2)
0131M00945	MOTOR, 1/6HP, 8PL (M3, M4)
PCBDM133	PCB, DEFROST CONTROL
10135604	RELAY (M7)
0151R00288	REVERSING VALVE (M1, M2, M3, M4)
0151R00071	REVERSING VALVE (M5, M6, M7)
B1225022	SOLENOID COIL
0130M00088	SW-CUTOUT LOW PRESS
0130M00088	SW-CUTOUT LOW PRESS
0130M20002	SWITCH, HIGH PRESSURE
0151R00295	VALVE, ADJUSTABLE (M3, M4)
0151R00258	VALVE, ADJUSTABLE (M5)
0151R00259	VALVE, ADJUSTABLE (M6)
0151R00293	VALVE, ADJUSTABLE (M2)
0151R00298	VALVE, ADJUSTABLE (M7)
0151R00292	VALVE, ADJUSTABLE (M1)

Expanded Model Nomenclature

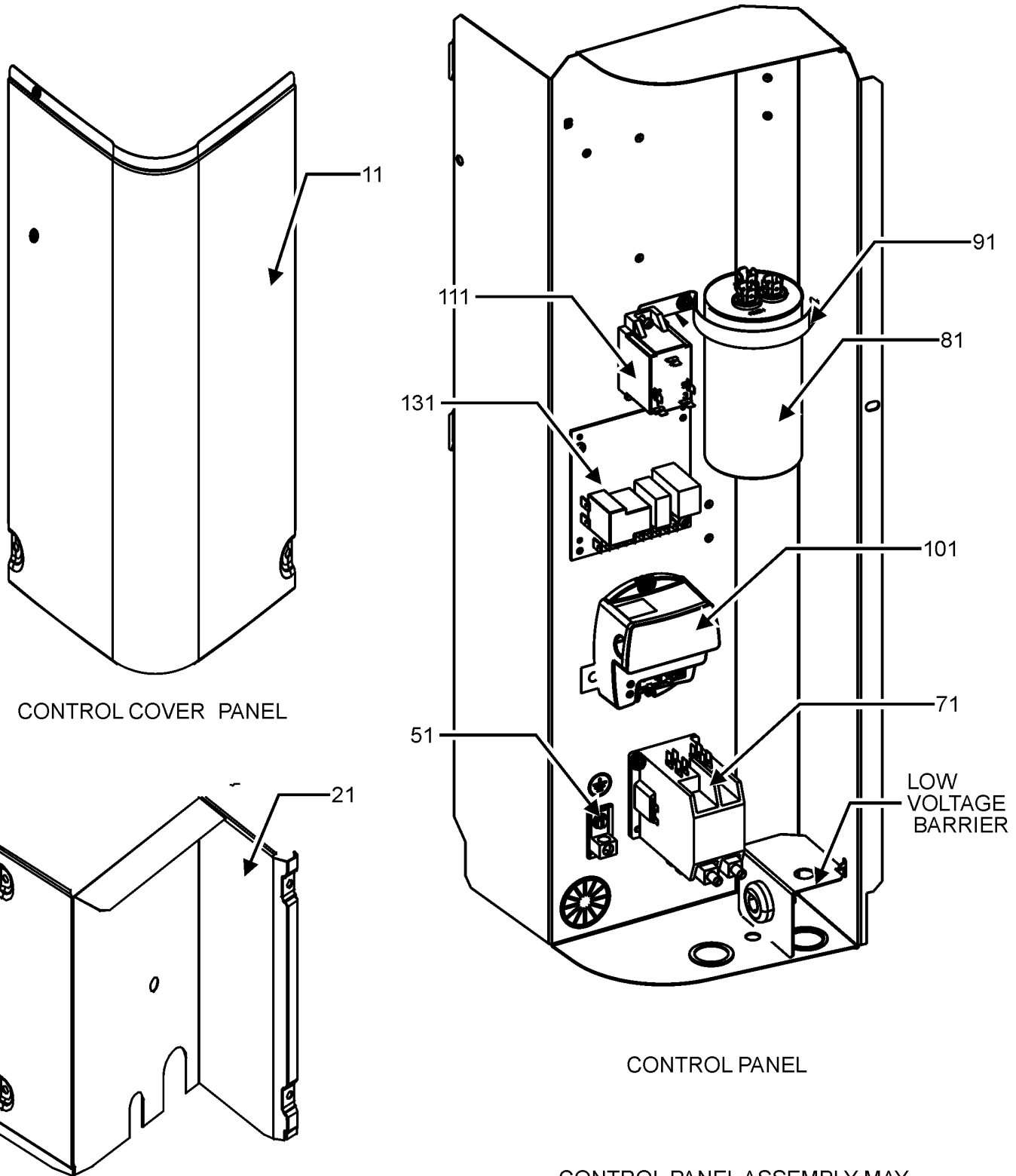
M1 - ALZS5BA1810AA
M2 - ALZS5BA2410AA
M3 - ALZS5BA3010AA
M4 - ALZS5BA3610AA
M5 - ALZS5BA4210AA
M6 - ALZS5BA4810AA
M7 - ALZS5BA6010AA

SPECIAL PARTS

0161R00117	CAP, AMANA (M5, M6)
0161R00086	CAP, GRILL (M1, M2, M3, M4, M7)
0161R00087	NAMEPLATE, AMANA LOGO

Control Panel Assembly

CONTROL PANEL ASSEMBLY



CONTROL PANEL ASSEMBLY MAY DIFFER FROM WHAT IS SHOWN

Control Panel Assembly

Ref. Part No:	Ref. Part No:	Description:	Description:
---------------	---------------	--------------	--------------

Image 1:

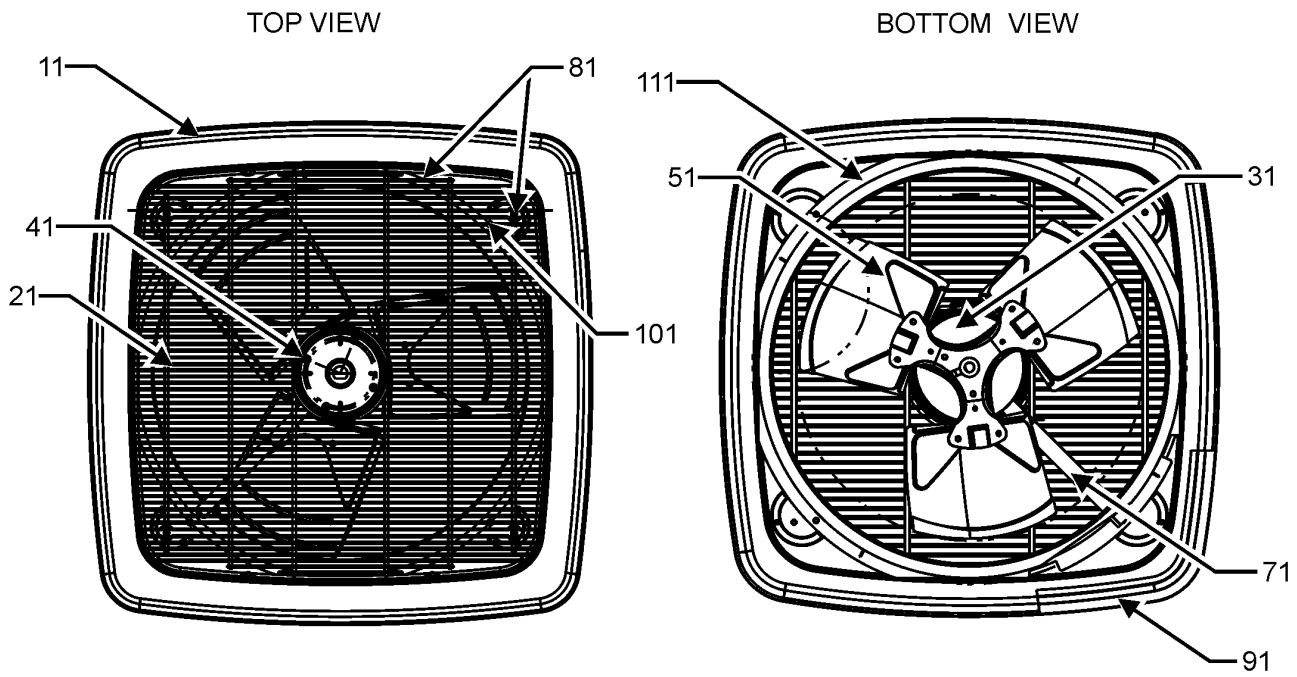
11	0121R00950PDG	CONTROL COVER, LARGE PNT (M7)
11	0121R00937PDG	CONTROL COVER, PNT (M1, M2, M3, M4, M5, M6)
21	0121R00909PDG	PNL, LWR ACCESS (M1, M2, M3, M4)
21	0121R00912PDG	PNL, LWR ACCESS (M5)
21	0121R00917PDG	PNL, LWR ACCESS (M6)
21	0121R00918PDG	PNL, LWR ACCESS (M7)
51	B1378533	LUG GROUND SMALL 4T
71	CONT1P030024D	CONT, 1 POLE, 30 AMP, 24VAC (M1, M2, M3, M4, M5, M6)
71	CONT2P040024D	CONT, 2 POLE, 40 AMP, 24VAC (M7)
81	CAB050300440CS	CAP, 5/30 MFD/440V RD - BPRF (M2)
81	CAB050350440CS	CAP, 5/35 MFD/440V RD - BPRF (M1)
81	CAB050400440CT	CAP, 5/40 MFD/440V RD - BPRF (M3, M4, M7)
81	CAB050450440CT	CAP, 5/45 MFD/440V RD - BPRF (M5, M6)
91	4400065	CAPACITOR STRAP
101	571006700	CoreSense Module
111	10135604	RELAY (M7)
131	PCBDM133	PCB, DEFROST CONTROL
NS	0161R00087	NAMEPLATE, AMANA LOGO

Expanded Model Nomenclature

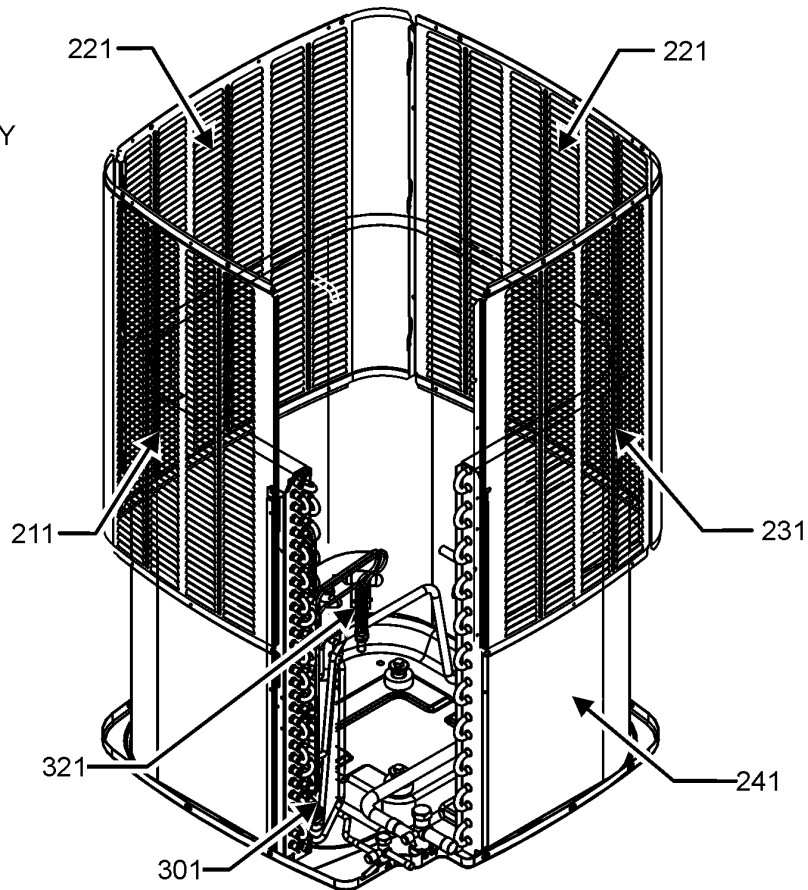
- | |
|--------------------|
| M1 - ALZS5BA1810AA |
| M2 - ALZS5BA2410AA |
| M3 - ALZS5BA3010AA |
| M4 - ALZS5BA3610AA |
| M5 - ALZS5BA4210AA |
| M6 - ALZS5BA4810AA |
| M7 - ALZS5BA6010AA |

Top Panel and Louver Assembly

TOP PANEL AND LOUVER ASSEMBLY



LOUVER ASSEMBLY



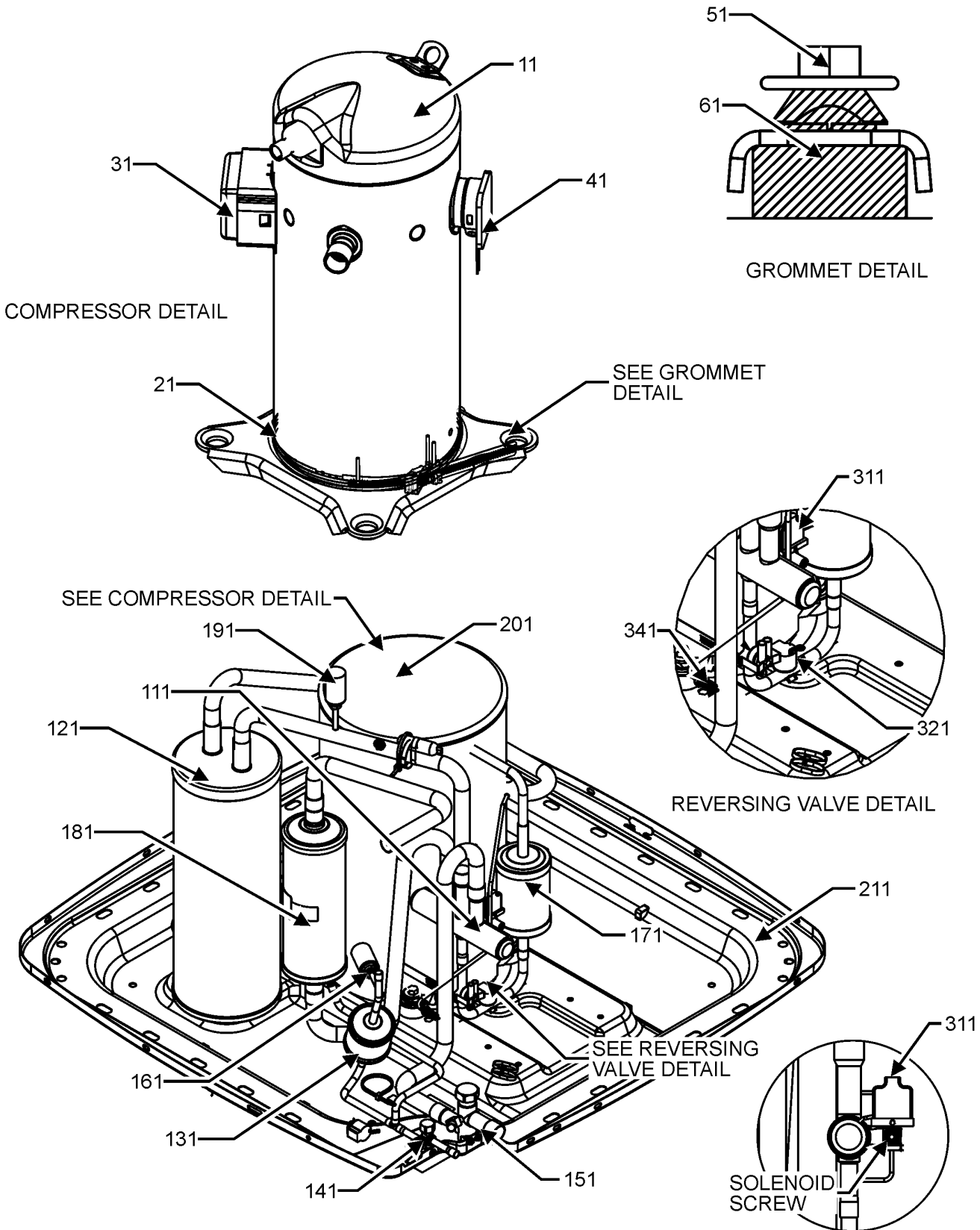
TOP PANEL AND LOUVER ASSEMBLY MAY DIFFER FROM WHAT IS SHOWN

Top Panel and Louver Assembly

Ref. Part No:	Description:	Ref. Part No:	Description:
Image 1:		Expanded Model Nomenclature	
11	0121R00935PDG	PANEL, TOP 29. PNT (M1, M2)	M1 - ALZS5BA1810AA
11	0121R00936PDG	TOP PANEL, 35. PNT (M3, M4, M5, M6, M7)	M2 - ALZS5BA2410AA
21	0152R00022	29" GRILLE CFS (M1, M2)	M3 - ALZS5BA3010AA
21	0152R00023	GRILL, WIRE 35. TOP (M3, M4, M5, M6, M7)	M4 - ALZS5BA3610AA
31	0131M00807	MOTOR, 1/4HP,1SP,8PL,AL (M5, M6)	M5 - ALZS5BA4210AA
31	0131M00866	MOTOR, 1/5 HP, 2SP, 8PL (M7)	M6 - ALZS5BA4810AA
31	0131M00753	MOTOR, 1/6HP, 1SP, 8PL, AL (M1, M2)	M7 - ALZS5BA6010AA
31	0131M00945	MOTOR, 1/6HP, 8PL (M3, M4)	
41	M0280801	HEX NUT (QTY 4)	
51	0150M00008	FAN BLADE, 22" TNT2203-25 (M1, M2)	
51	0150M00066	FAN BLADE, 26" (M3, M4, M5, M6, M7)	
71	0161R00005P	CONDUIT (M3, M4, M5, M6, M7)	
71	0161R00123	CONDUIT (M1, M2)	
81	0163M00003P	SCREW #10 X 1/2, A, SLOT, SR, BLACK (QTY 6)	
91	0154R00045	GASKET CONTROL PANEL	
101	0163M00004	SCREW #10X3/4" BLK (QTY 4)	
111	0161R00104	29" VENTURI CFS (M1, M2)	
111	0161R00105	35" VENTURI CFS (M3, M4, M5, M6, M7)	
211	0121R00203PLG	LOUVER, SIDE PANEL (M1, M2)	
211	0121R00927PLG	PANEL 1, LOUVER 35_34.64 PNT (M6)	
211	0121R00240PLG	PANEL 1, LOUVER 35 (M3, M4)	
211	0121R00239PLG	PANEL 1, LOUVER 35, 5MM, PNT (M5)	
211	0121R00601PLG	PANEL 1, LOUVER 35_39.84 PNT (M7)	
221	0121R00206PLG	LOUVER, SIDE PANEL (M1, M2)	
221	0121R00244PLG	PANEL 2, LOUVER 35 (M3, M4)	
221	0121R00243PLG	PANEL 2, LOUVER 35, 5MM, PNT (M5)	
221	0121R00928PLG	PANEL 2, LOUVER 35_34.64 PNT (M6)	
221	0121R00514PLG	PANEL 2, LOUVER 35_39.84 PNT (M7)	
231	0121R00195PLG	LOUVER, SIDE PANEL (M1, M2)	
231	0121R00248PLG	PANEL 3, LOUVER 35 (M3, M4)	
231	0121R00247PLG	PANEL 3, LOUVER 35, 5MM, PNT (M5)	
231	0121R00929PLG	PANEL 3, LOUVER 35_34.64 PNT (M6)	
231	0121R00603PLG	PANEL 3, LOUVER 35_39.84 PNT (M7)	
241	0201R00780	COIL TUBING ASSY (M6)	
241	0201R00850	COIL TUBING ASSY (M1, M2)	
241	0201R00852	COIL TUBING ASSY (M5)	
241	0201R00859	COIL TUBING ASSY (M7)	
241	0201R00870	COIL TUBING ASSY (M3, M4)	
301	0130M00250	CONTROL, DEFROST (M6, M7)	
301	0130M00884	CONTROL, DEFROST (M1, M2, M3, M4, M5)	
321	0151R00258	VALVE, ADJUSTABLE (M5)	
321	0151R00259	VALVE, ADJUSTABLE (M6)	
321	0151R00292	VALVE, ADJUSTABLE (M1)	
321	0151R00293	VALVE, ADJUSTABLE (M2)	
321	0151R00295	VALVE, ADJUSTABLE (M3, M4)	
321	0151R00298	VALVE, ADJUSTABLE (M7)	
NS	0161R00117	CAP, AMANA (M5, M6)	
NS	0161R00086	CAP, GRILL (M1, M2, M3, M4, M7)	

Compressor and Tubing Assembly

TUBING ASSEMBLY



TUBING ASSEMBLY MAY DIFFER FROM WHAT IS SHOWN

Compressor and Tubing Assembly

Ref. Part No:	Part No:	Description:	Ref. Part No:	Part No:	Description:
---------------	----------	--------------	---------------	----------	--------------

Image 1:

11	YP14K1TPFVASE	COMPRESSOR (M1)			
11	YP20K1TPFVASE	COMPRESSOR (M2)			
11	YP25K1TPFVASE	COMPRESSOR (M3)			
11	YP31K1TPFVASE	COMPRESSOR (M4)			
11	YP34K1TPFVASC	COMPRESSOR (M5)			
11	YP40K1TPFVASC	COMPRESSOR (M6)			
11	YPS51K1TPFVASC	COMPRESSOR (M7)			
21	0163R00006	HEATER, CRANKCASE 230V, 40W (M1, M2, M3, M4)			
21	0163R00007	HEATER, CRANKCASE 230V, 40W (M5, M6, M7)			
31	0159R00001P	HARNESS, COMP SCROLL 130 42" (M1, M2)			
31	0159R00002P	HARNESS, COMP SCROLL 130 46" (M3, M4, M5, M6, M7)			
41	20468101	COMPR SOL CABLE (M7)			
51	M0221641	TF SHOULDER SCREW (QTY 4)			
61	B1339533	COMPRESSOR GROMMET (QTY 4)			
111	0151R00071	REVERSING VALVE (M5, M6, M7)			
111	0151R00288	REVERSING VALVE (M1, M2, M3, M4)			
121	0151L00009	ACCUMULATOR (M6, M7)			
121	B1226207	ACCUMULATOR (M3, M4, M5)			
121	0151R00004P	ACCUMULATOR 3/4 (M1, M2)			
131	0162R00056	FILTER/DRIER-BI-FLOW			
141	0151R00287	BASE VALVE 3/8", R32			
151	0151R00285	BASE VALVE 3/4", R32 (M1, M2, M3)			
151	0151R00286	BASE VALVE 7/8", R32 (M4, M5, M6, M7)			
161	0130M00088	SW-CUTOUT LOW PRESS			
161	0130M20002	SWITCH, HIGH PRESSURE			
171	0162R00007	MUFFLER 1/2 X 1/2			
181	0151R00229	COMPENSATOR (M5)			
181	0151R00237	COMPENSATOR (M7)			
191	0130M00088	SW-CUTOUT LOW PRESS			
201	0160M00035	COMPRESSOR BLANKET (M1, M2, M3, M4)			
201	0160M00039	COMPRESSOR BLANKET (M5, M6, M7)			
211	0121R00006PDG	BASE PAN, 29" PNT (M1, M2)			
211	0121R01090PDG	PAINTED BASE PAN 35.5" (M3, M4, M5, M6, M7)			
311	0130M00410	REVERSING VALVE HARNESS			
321	0130M00106	DISC THERMOSTAT CRNKCS HTR SW			
341	0151M00104	VALVE CORE			
NS	0163M00629	RED CAP WITH O-RING			
NS	B1225022	SOLENOID COIL			

Expanded Model Nomenclature

- | |
|--------------------|
| M1 - ALZS5BA1810AA |
| M2 - ALZS5BA2410AA |
| M3 - ALZS5BA3010AA |
| M4 - ALZS5BA3610AA |
| M5 - ALZS5BA4210AA |
| M6 - ALZS5BA4810AA |
| M7 - ALZS5BA6010AA |