

ALXS4BA Remote Condensing Unit

ALXS4BA1810AA
ALXS4BA2410AA
ALXS4BA3010AA
ALXS4BA3610AA
ALXS4BA4210AA
ALXS4BA4810AA
ALXS4BA6010AA



Amana® is a registered trademark of Maytag Corporation or its related companies and is used under license. All rights reserved.

This manual is to be used by qualified technicians only.

© 2024 Goodman Company, L.P. ♦ 19001 Kermier Rd. ♦ Waller, TX 77484

Important Information

Index

Functional Parts List	3
Illustration and Parts	4 - 9

Views shown are for parts illustrations only, not servicing procedures.

Text Codes:

AR - As Required

NA - Not Available

NS - Not Shown

00000000 - See Note

QTY - Quantity Example (QTY 3) (If Quantity not shown, Quantity = 1)

M - Model Example (M1) (If M Code not shown, then part is used on all Models)

Expanded Model Nomenclature:

Example
M1 - Model#1
M2 - Model#2
M3 - Model#3

Goodman Company, L.P. is not responsible for personal injury or property damage resulting from improper service. Review all service information before beginning repairs.

Warranty service must be performed by an authorized technician, using authorized factory parts. If service is required after the warranty expires, Goodman Company, L.P. also recommends contacting an authorized technician and using authorized factory parts.

Goodman Company, L.P. reserves the right to discontinue, or change at any time, specifications or designs without notice or without incurring obligations.

For assistance within the U.S.A. contact:

Homeowner Support
Goodman Company, L.P.
19001 Kermier Road
Waller, Texas 77484
877-254-4729-Telephone
713-863-2382-Facsimile

For assistance outside the U.S.A. contact:

International Division
Goodman Company, L.P.
19001 Kermier Road
Waller, Texas 77484
713-861-2500-Telephone
713-863-2382-Facsimile

Functional Parts

Part

No: Description:

0151R00285	BASE VALVE 3/4", R32 (M1, M2)
0151R00287	BASE VALVE 3/8", R32
0151R00286	BASE VALVE 7/8", R32 (M3, M4, M5, M6, M7)
0150M00012	BLADE-FAN 20" CCW (M1, M2)
CAB050300440CS	CAP, 5/30 MFD/440V RD - BPRF (M2)
CAB050350440CS	CAP, 5/35 MFD/440V RD - BPRF (M1)
CAB050400440CT	CAP, 5/40 MFD/440V RD - BPRF (M3, M4)
CAB050450440CT	CAP, 5/45 MFD/440V RD - BPRF (M5, M6)
CAB050800440CT	CAP, 5/80 MFD/440V RD - BPRF (M7)
YP29K1TPFVASE	COMPRESSOR (M4)
YP24K1TPFVASE	COMPRESSOR (M3)
YP14K1TPFVASE	COMPRESSOR (M1)
YP34K1TPFVASC	COMPRESSOR (M5)
YP40K1TPFVASC	COMPRESSOR (M6)
YP51K1TPFVASC	COMPRESSOR (M7)
YP20K1TPFVASE	COMPRESSOR (M2)
CONT1P030024D	CONT, 1 POLE, 30 AMP, 24VAC
571006600	CoreSense Module
0150M00008	FAN BLADE, 22" TNT2203-25 (M3, M4)
0150M00054	FAN BLADE, 26" (M5, M6, M7)
0130M00082	LOW PRESSURE SWITCH
0131M00753	MOTOR, 1/6HP, 1SP, 8PL, AL (M3, M4, M5, M6)
0131M00969	MOTOR, 1/8HP, 8PL, PSC (M1, M2)
0131M00804	MOTOR, ECM (M7)
0130M20000	SWITCH, HIGH PRESSURE

SPECIAL PARTS

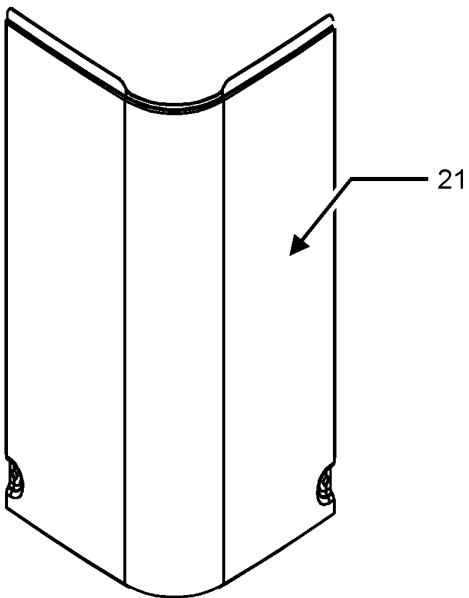
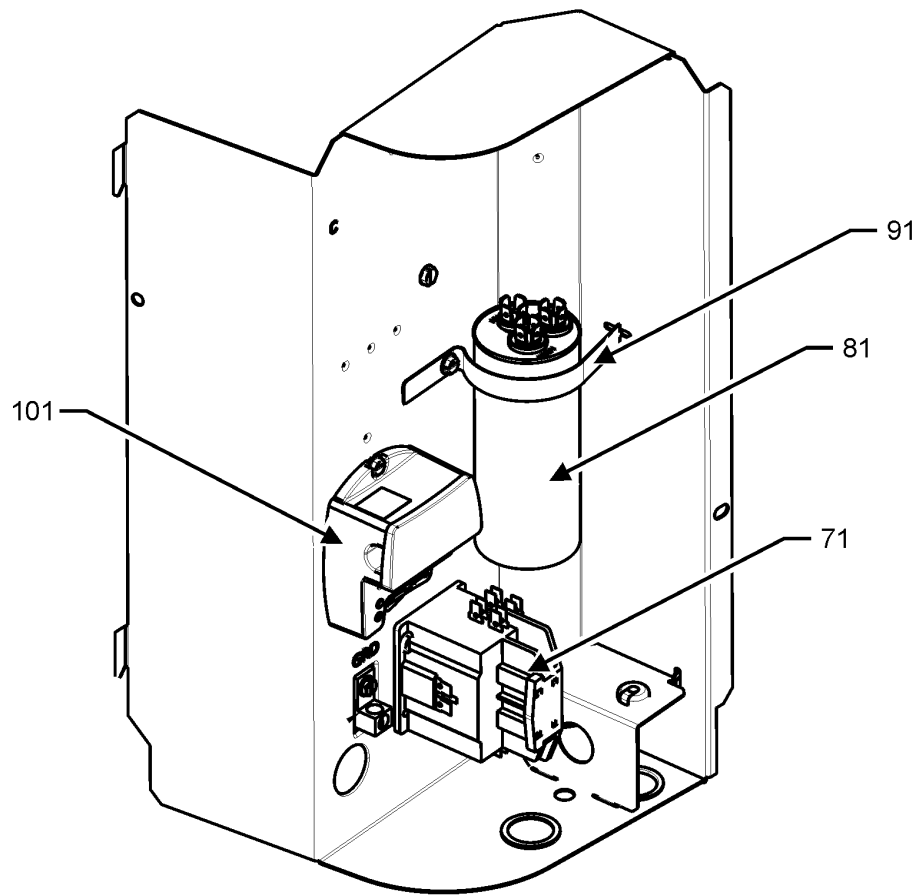
0161R00087 NAMEPLATE, AMANA LOGO

Expanded Model Nomenclature

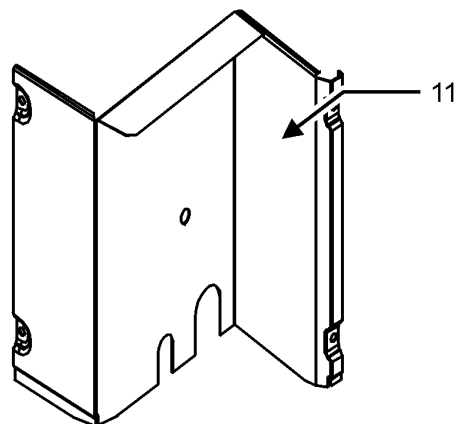
M1 - ALXS4BA1810AA
M2 - ALXS4BA2410AA
M3 - ALXS4BA3010AA
M4 - ALXS4BA3610AA
M5 - ALXS4BA4210AA
M6 - ALXS4BA4810AA
M7 - ALXS4BA6010AA

Control Panel Assembly

CONTROL PANEL ASSEMBLY



CONTROL PANEL ACCESS



LOWER ACCESS PANEL

CONTROL PANEL ASSEMBLY MAY DIFFER FROM WHAT IS SHOWN

Control Panel Assembly

Ref. Part No:	No:	Description:	Ref. Part No:	No:	Description:
---------------	-----	--------------	---------------	-----	--------------

Image 1:

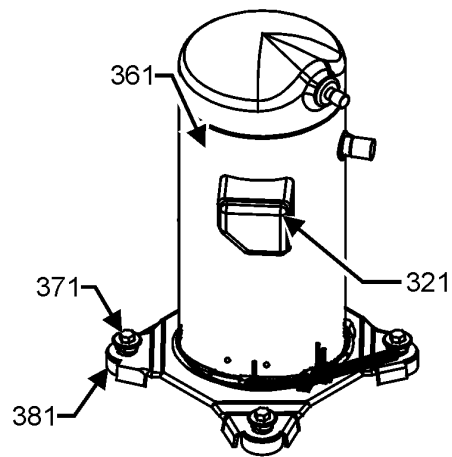
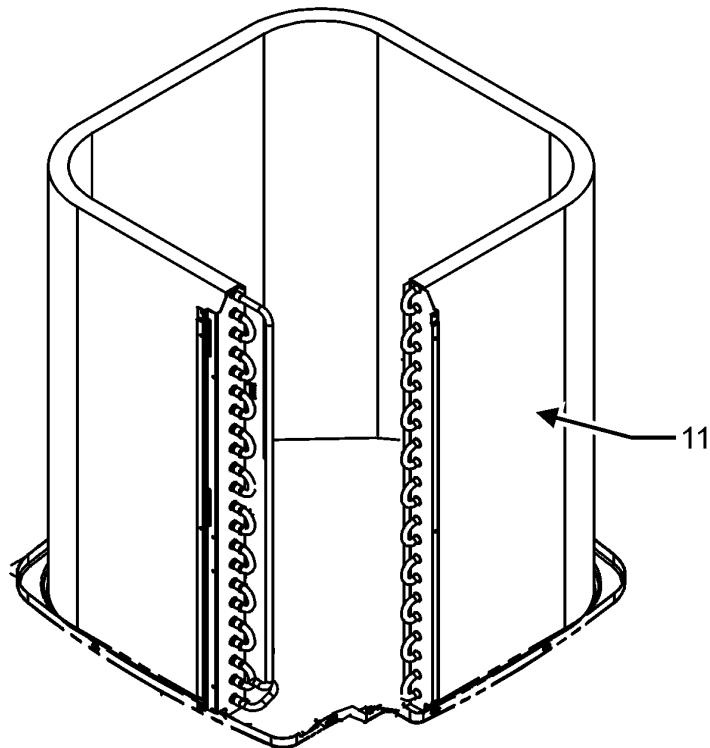
11	0121R00909PDG	PNL, LWR ACCESS (M4, M7)
11	0121R00912PDG	PNL, LWR ACCESS (M3, M5, M6)
11	0121R00915PDG	PNL, LWR ACCESS (M1)
11	0121R00919PDG	PNL, LWR ACCESS (M2)
21	0121R00937PDG	CONTROL COVER, PNT
71	CONT1P030024D	CONT, 1 POLE, 30 AMP, 24VAC
81	CAB050300440CS	CAP, 5/30 MFD/440V RD - BPRF (M2)
81	CAB050350440CS	CAP, 5/35 MFD/440V RD - BPRF (M1)
81	CAB050400440CT	CAP, 5/40 MFD/440V RD - BPRF (M3, M4)
81	CAB050450440CT	CAP, 5/45 MFD/440V RD - BPRF (M5, M6)
81	CAB050800440CT	CAP, 5/80 MFD/440V RD - BPRF (M7)
91	4400065	CAPACITOR STRAP
101	571006600	CoreSense Module
NS	0161R00087	NAMEPLATE, AMANA LOGO

Expanded Model Nomenclature

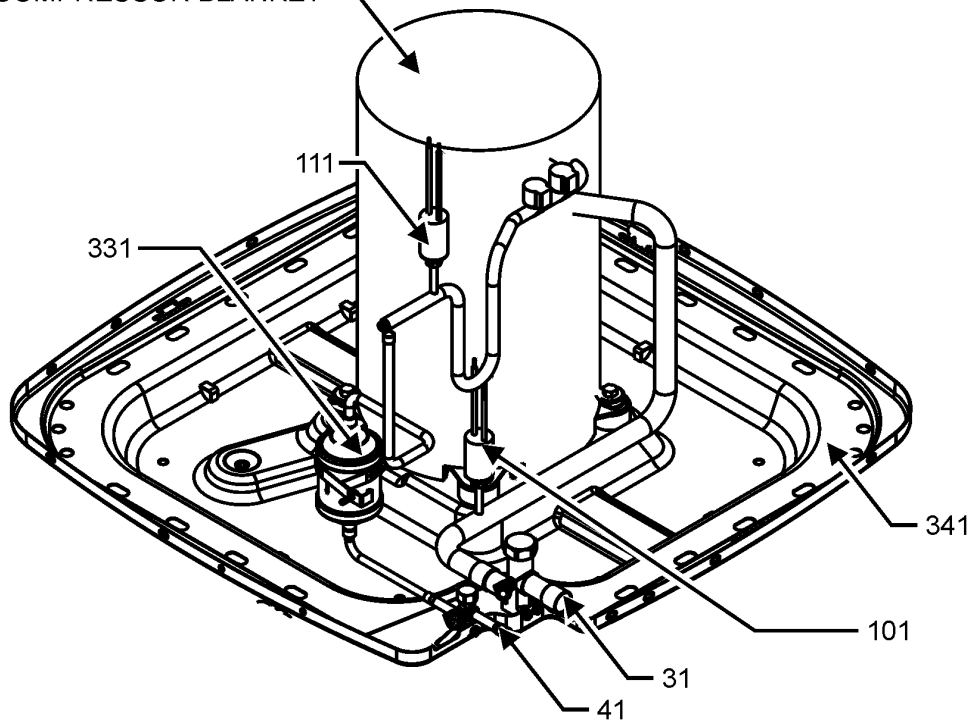
- M1 - ALXS4BA1810AA
- M2 - ALXS4BA2410AA
- M3 - ALXS4BA3010AA
- M4 - ALXS4BA3610AA
- M5 - ALXS4BA4210AA
- M6 - ALXS4BA4810AA
- M7 - ALXS4BA6010AA

Compressor and Tubing Assembly

TUBING AND COMPRESSOR ASSEMBLY



COMPRESSOR BLANKET



TUBING AND COMPRESSOR ASSEMBLY MAY DIFFER FROM WHAT IS SHOWN

Compressor and Tubing Assembly

Ref. Part No:	Ref. Part No:	Description:	Description:
---------------	---------------	--------------	--------------

Image 1:

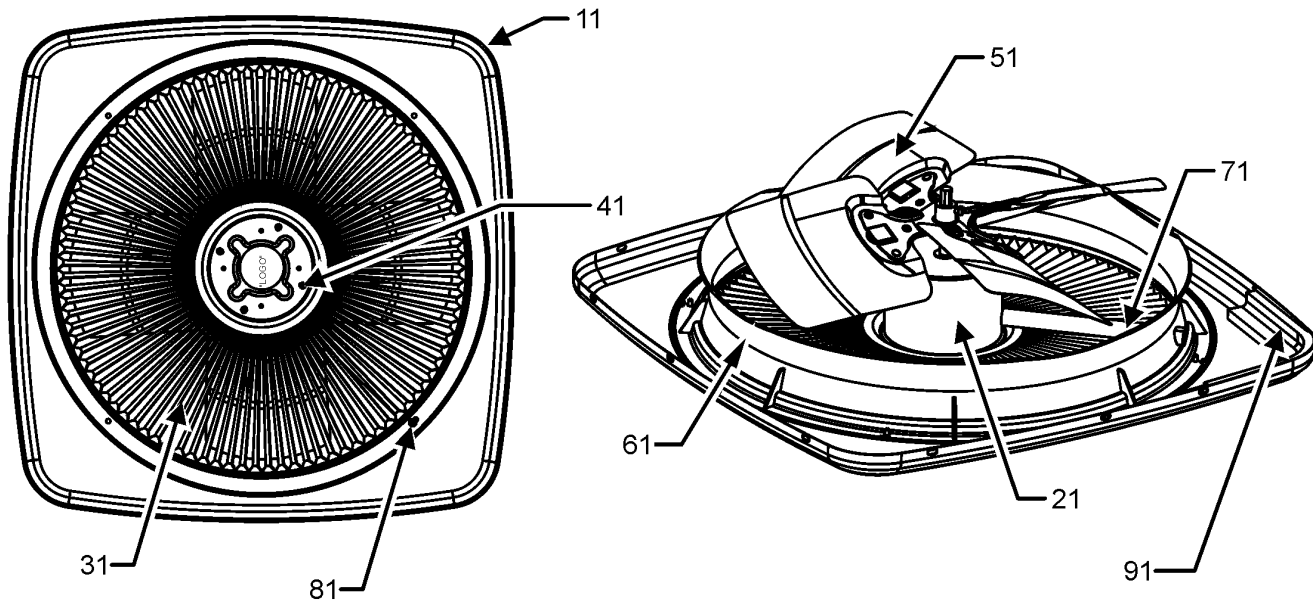
11	0201R00236	COIL TUBING ASSY (M4)
11	0201R00311	COIL TUBING ASSY (M5, M6)
11	0201R00315	COIL TUBING ASSY (M3)
11	0201R00666	COIL TUBING ASSY (M2)
11	0201R00809	COIL TUBING ASSY (M7)
11	0201R00860	COIL TUBING ASSY (M1)
31	0151R00285	BASE VALVE 3/4", R32 (M1, M2)
31	0151R00286	BASE VALVE 7/8", R32 (M3, M4, M5, M6, M7)
41	0151R00287	BASE VALVE 3/8", R32
101	0130M00082	LOW PRESSURE SWITCH
111	0130M20000	SWITCH, HIGH PRESSURE
321	0159R00000P	HARNESS, COMP SCROLL 130 36" (M1, M2)
321	0159R00001P	HARNESS, COMP SCROLL 130 42" (M3, M4)
321	0159R00002P	HARNESS, COMP SCROLL 130 46" (M5, M6, M7)
331	0162R00057	FILTER DRIER
341	0121R00005PDG	BASE PAN, 26" PNT (M1, M2)
341	0121R00006PDG	BASE PAN, 29" PNT (M3, M4)
341	0121R01090PDG	PAINTED BASE PAN 35.5" (M5, M6, M7)
361	YP14K1TPFVASE	COMPRESSOR (M1)
361	YP20K1TPFVASE	COMPRESSOR (M2)
361	YP24K1TPFVASE	COMPRESSOR (M3)
361	YP29K1TPFVASE	COMPRESSOR (M4)
361	YP34K1TPFVASC	COMPRESSOR (M5)
361	YP40K1TPFVASC	COMPRESSOR (M6)
361	YP51K1TPFVASC	COMPRESSOR (M7)
371	M0221641	TF SHOULDER SCREW (QTY 4)
381	B1339533	COMPRESSOR GROMMET (QTY 4)
NS	0160M00035	COMPRESSOR BLANKET (M1, M2, M3, M4)
NS	0160M00039	COMPRESSOR BLANKET (M5, M6, M7)

Expanded Model Nomenclature

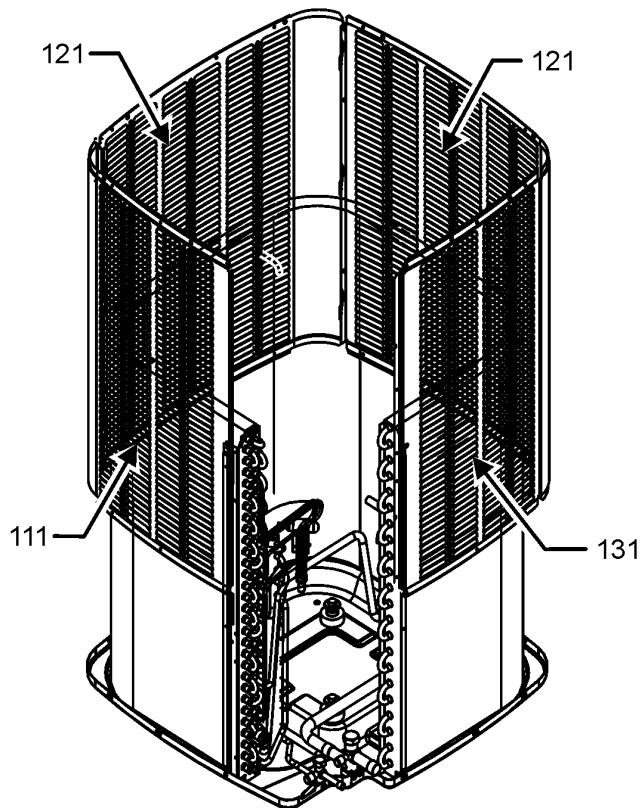
- | |
|--------------------|
| M1 - ALXS4BA1810AA |
| M2 - ALXS4BA2410AA |
| M3 - ALXS4BA3010AA |
| M4 - ALXS4BA3610AA |
| M5 - ALXS4BA4210AA |
| M6 - ALXS4BA4810AA |
| M7 - ALXS4BA6010AA |

Top and Louver Panel Assembly

TOP PANEL AND LOUVER PANEL ASSEMBLY



LOUVER PANEL ASSEMBLY STYLE 1



TOP PANEL AND LOUVER PANEL ASSEMBLY MAY DIFFER FROM WHAT IS SHOWN

Top and Louver Panel Assembly

Ref. Part No:	Part No:	Description:	Ref. Part No:	Part No:	Description:
---------------	----------	--------------	---------------	----------	--------------

Image 1:

11	0121R00931PDG	PANEL, TOP 26. PNT (M1, M2)
11	0121R00935PDG	PANEL, TOP 29. PNT (M3, M4)
11	0121R00936PDG	TOP PANEL, 35. PNT (M5, M6, M7)
21	0131M00753	MOTOR, 1/6HP, 1SP, 8PL, AL (M3, M4, M5, M6)
21	0131M00969	MOTOR, 1/8HP, 8PL, PSC (M1, M2)
21	0131M00804	MOTOR, ECM (M7)
31	0152R00024	26 GRILLE CFS (M1, M2)
31	0152R00025	29 GRILLE CFS (M3, M4)
31	0152R00026	GRILL, WIRE 35. TOP (M5, M6, M7)
41	0163M00006P	ACORN NUT 5/16 HEX BLACK (M3, M4)
41	M0280801	NUT-HEX (M1, M2, M5, M6, M7)
51	0150M00012	BLADE-FAN 20" CCW (M1, M2)
51	0150M00008	FAN BLADE, 22" TNT2203-25 (M3, M4)
51	0150M00054	FAN BLADE, 26" (M5, M6, M7)
61	0161R00103	26" VENTURI CFS (M1, M2)
61	0161R00104	29" VENTURI CFS (M3, M4)
61	0161R00105	35" VENTURI CFS (M5, M6, M7)
71	0161R00005P	CONDUIT (M5, M6)
71	0161R00122	CONDUIT (M1, M2)
71	0161R00123	CONDUIT (M3, M4)
71	0163M00385	CONDUIT-FLEXIBLE (M7)
81	0163M00003P	SCREW,#10 X 1/2,A,SLOT,SR,BLK (M3, M4, M5, M6, M7)
91	0154R00045	GASKET, CONTROL PANEL
111	0121R00202PLG	LOUVER, SIDE PANEL (M3)
111	0121R00203PLG	LOUVER, SIDE PANEL (M4)
111	0121R00207PLG	LOUVER, SIDE PANEL (M1)
111	0121R00208PLG	LOUVER, SIDE PANEL (M2)
111	0121R00240PLG	PANEL 1, LOUVER 35 (M7)
111	0121R00239PLG	PANEL 1, LOUVER 35, 5MM, PNT (M5, M6)
121	0121R00198PLG	LOUVER, SIDE PANEL (M1)
121	0121R00199PLG	LOUVER, SIDE PANEL (M2)
121	0121R00205PLG	LOUVER, SIDE PANEL (M3)
121	0121R00206PLG	LOUVER, SIDE PANEL (M4)
121	0121R00244PLG	PANEL 2, LOUVER 35 (M7)
121	0121R00243PLG	PANEL 2, LOUVER 35, 5MM, PNT (M5, M6)
131	0121R00194PLG	LOUVER, SIDE PANEL (M3)
131	0121R00195PLG	LOUVER, SIDE PANEL (M4)
131	0121R00196PLG	LOUVER, SIDE PANEL (M1)
131	0121R00197PLG	LOUVER, SIDE PANEL (M2)
131	0121R00248PLG	PANEL 3, LOUVER 35 (M7)
131	0121R00247PLG	PANEL 3, LOUVER 35, 5MM, PNT (M5, M6)
NS	0163M00004	SCREW,#10X3/4",BLK (QTY 4)
NS	0163M00005P	WASHER, BLACK (.50 OD .218D) (M3, M4)

Expanded Model Nomenclature

- | |
|--------------------|
| M1 - ALXS4BA1810AA |
| M2 - ALXS4BA2410AA |
| M3 - ALXS4BA3010AA |
| M4 - ALXS4BA3610AA |
| M5 - ALXS4BA4210AA |
| M6 - ALXS4BA4810AA |
| M7 - ALXS4BA6010AA |