

ASXV90 Top Flow Inverter Air Conditioner

ASXV902410AA

ASXV903610AA

ASXV904810AA

ASXV906010AA



Amana® is a registered trademark of Maytag Corporation or its related companies and is used under license. All rights reserved.

This manual is to be used by qualified technicians only.

© 2022 Goodman Company, L.P. ♦ 19001 Kermier Rd. ♦ Waller, TX 77484

Important Information

Index

Functional Parts List	3
Illustration and Parts	4 - 13

Views shown are for parts illustrations only, not servicing procedures.

Text Codes:

AR - As Required

NA - Not Available

NS - Not Shown

00000000 - See Note

QTY - Quantity Example (QTY 3) (If Quantity not shown, Quantity = 1)

M - Model Example (M1) (If M Code not shown, then part is used on all Models)

Expanded Model Nomenclature:

Example
M1 - Model#1
M2 - Model#2
M3 - Model#3

Goodman Company, L.P. is not responsible for personal injury or property damage resulting from improper service. Review all service information before beginning repairs.

Warranty service must be performed by an authorized technician, using authorized factory parts. If service is required after the warranty expires, Goodman Company, L.P. also recommends contacting an authorized technician and using authorized factory parts.

Goodman Company, L.P. reserves the right to discontinue, or change at any time, specifications or designs without notice or without incurring obligations.

For assistance within the U.S.A. contact:

Homeowner Support
Goodman Company, L.P.
19001 Kermier Road
Waller, Texas 77484
877-254-4729-Telephone
713-863-2382-Facsimile

For assistance outside the U.S.A. contact:

International Division
Goodman Company, L.P.
19001 Kermier Road
Waller, Texas 77484
713-861-2500-Telephone
713-863-2382-Facsimile

Functional Parts

Part

No: Description:

0151L00019	ACCUMULATOR (M1, M2)
0151L00021	ACCUMULATOR (M4)
0151L00020	ACCUMULATOR (M3)
SHARED DATA	Available thru CoolCloud HVAC app
0151R00181	BALL VALVE 3/4" (M1)
0151R00182	BALL VALVE 7/8" (M2, M3, M4)
0151R00187	BASE VALVE 3/8"
10625738	BLADE -FAN 26" ALUM CCW
3E600193-1	CAPACITOR (M4)
4SA27006-1	CHECK VALVE (M1)
4SA27011-1	CHECK VALVE (M2, M3)
0156R00009	COMPRESSOR 2YC36MXD (M1)
0156R00011	COMPRESSOR 2YC63TXD (M2)
0156R00013	COMPRESSOR 2YC90FXD (M3)
0156R00015	COMPRESSOR JT100GCVDW (M4)
3P130357-15	CRANKCASE HEATER (M4)
3EA74081-1	CURRENT SENSOR, CHR-6Z-E-X (M4)
3P356931-1	FAN MOTOR
3P381424-2	HIGH PRESSURE SWITCH
2P346080-1	NF PCB (M3, M4)
0151R00144	OIL SEPARATOR
0272R01738	PCB ASSY (M1)
0272R01741	PCB ASSY (M2)
0272R01744	PCB ASSY (M3)
0272R01758	PCB ASSY (M4)
2P361564-1	PCB, FAN DRIVE, INVERTER (M4)
3P362914-1	POWER CONDITIONER (M4)
3E750074-1	POWER CONDITIONER (M1, M2)
3S481010-1	PRESSURE SENSOR
0130M00186	TERMINAL BLOCK
3P381576-1	THERMISTOR AMBIENT
3P381575-2	THERMISTOR ASSY

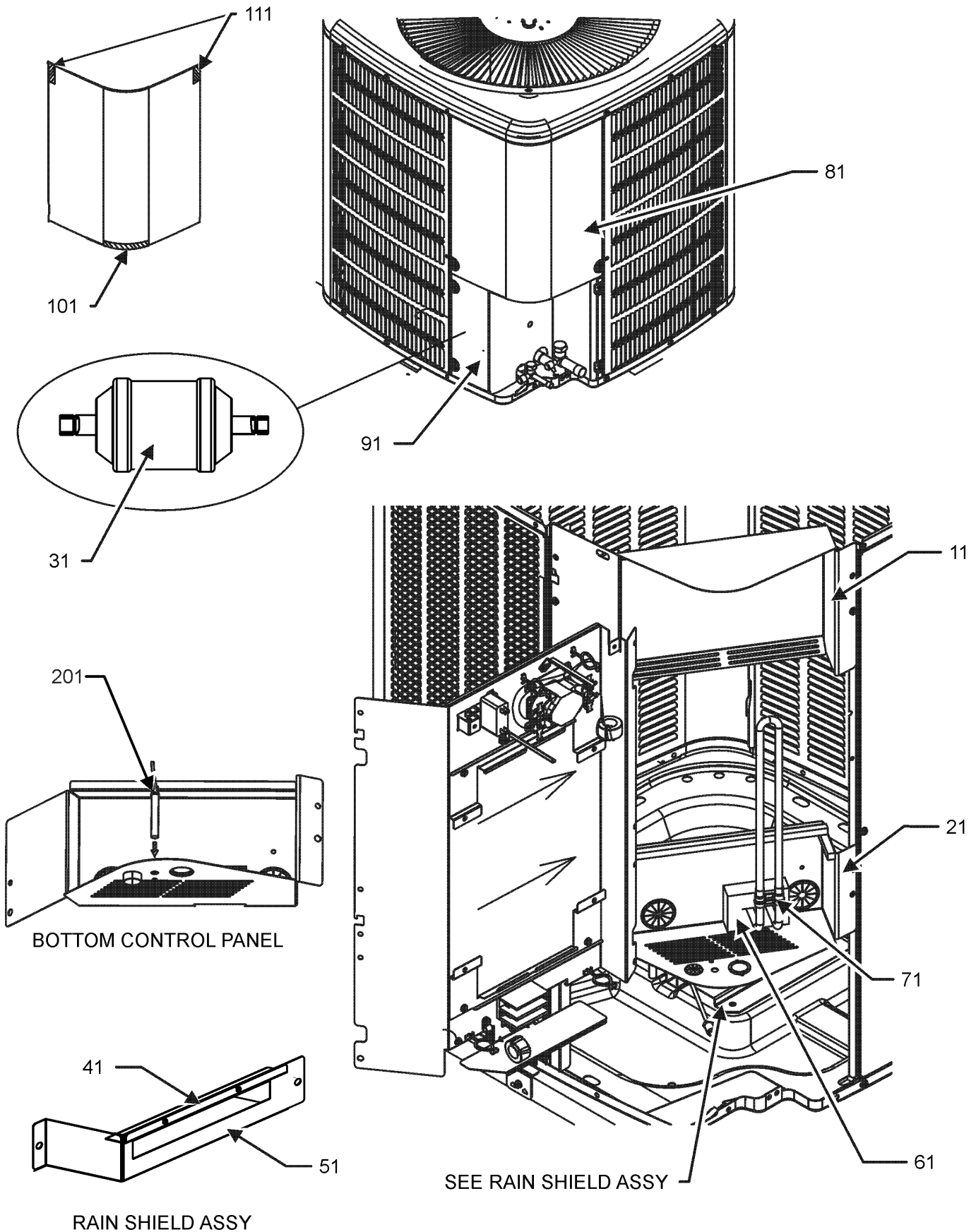
SPECIAL PARTS

0161R00086	CAP, GRILL
0161R00087	NAMEPLATE, AMANA LOGO
0361R00000	THERMAL GREASE

Expanded Model Nomenclature

M1 - ASXV902410AA
M2 - ASXV903610AA
M3 - ASXV904810AA
M4 - ASXV906010AA

Control Box Assembly



Control Box Assembly

Ref. Part No:	No:	Description:	Ref. Part No:	No:	Description:
---------------	-----	--------------	---------------	-----	--------------

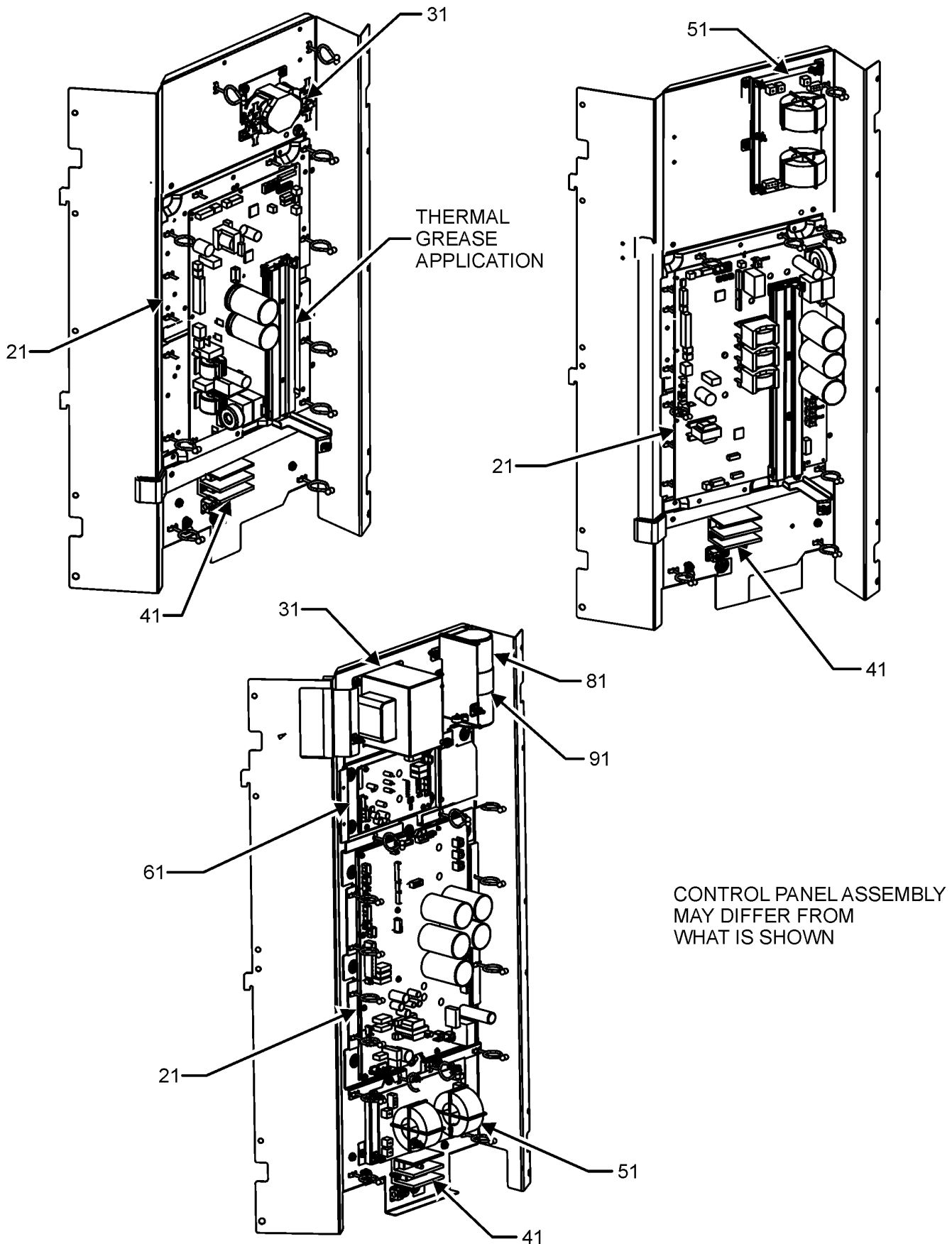
Image 1:

11	0121R00519PDG	TOP CONTROL PANEL (M4)
11	0272R01007PDG	TOP CONTROL PANEL ASSY (M1, M2, M3)
21	0121R00521PDG	BOTTOM CONTROL PANEL ASSY
31	0162R00056	FILTER/DRIER-BI-FLOW
41	0121R00562	RAIN SHIELD COVER
51	0121R00563	RAIN SHIELD BRACKET
61	0154R00016	GASKET - CONTROL PANEL
71	4P305027-1	COOLING LOOP SEPARATOR (M1, M2, M3)
81	0121R00380PDG	CONTROL COVER (M1, M2)
81	0121R00517PDG	CONTROL COVER (M3, M4)
91	0121R00379PDG	PANEL, LOWER ACCESS
101	0154R00023	GASKET, CONTROL PANEL COVER
111	0154R00017	GASKET - CONTROL PANEL (QTY 2)
201	3P381576-1	THERMISTOR AMBIENT
NS	0161R00086	CAP, GRILL
NS	0154R00015	GASKET - CONTROL PANEL (QTY 2)
NS	0161R00087	NAMEPLATE, AMANA LOGO

Expanded Model Nomenclature

M1 - ASXV902410AA
M2 - ASXV903610AA
M3 - ASXV904810AA
M4 - ASXV906010AA

Control Panel Assembly



Control Panel Assembly

Ref. Part No:	Ref. Part No:	Description:	Description:
---------------	---------------	--------------	--------------

Image 1:

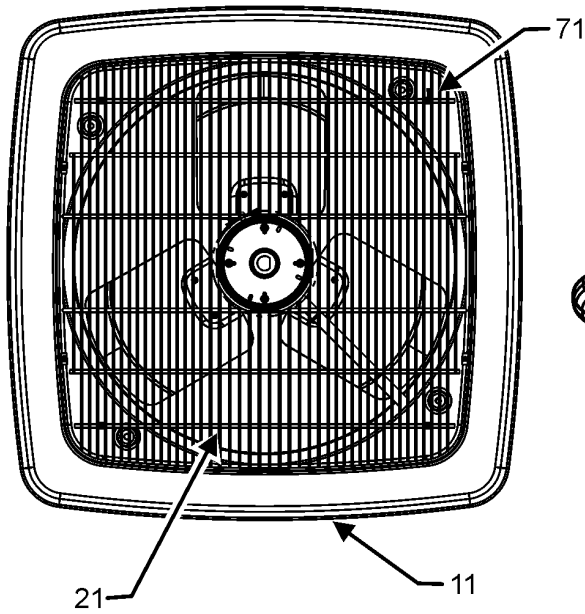
21	0272R01738	PCB ASSY (M1)
21	0272R01741	PCB ASSY (M2)
21	0272R01744	PCB ASSY (M3)
21	0272R01758	PCB ASSY (M4)
31	3E750074-1	POWER CONDITIONER (M1, M2)
31	3P362914-1	POWER CONDITIONER (M4)
41	0130M00186	TERMINAL BLOCK
51	2P346080-1	NF PCB (M3, M4)
61	2P361564-1	PCB, FAN DRIVE, INVERTER (M4)
81	3E600193-1	CAPACITOR (M4)
91	4P171335-1	CAPACITOR STRAP (M4)
NS	SHARED DATA	Av ailable thru CoolCloud HVAC app
NS	3EA74081-1	CURRENT SENSOR, CHR-6Z-E-X (M4)
NS	3P263839-1	FERRITE CORE
NS	0163M00075	FLANGE NUT, SERRATED
NS	0154R00018	GASKET - MOUNTING PANEL (M1, M2, M3)
NS	0154R00019	GASKET - MOUNTING PANEL (M1, M2, M3)
NS	0154R00024	GASKET, CONTROL PANEL (M4)
NS	0154R00025	GASKET, CONTROL PANEL (M4)
NS	0163M00092	SCREW, HWH, 10-24X.500,BZ,SLOT
NS	0361R00000	THERMAL GREASE
NS	3P381575-2	THERMISTOR ASSY
NS	0130M00210	WIRE HARNESS (M3)
NS	0130M00211	WIRE HARNESS (M3)
NS	0130M00212	WIRE HARNESS (M4)
NS	0130M00213	WIRE HARNESS (M4)
NS	0130M00214	WIRE HARNESS (M4)
NS	0130M00215	WIRE HARNESS (M4)
NS	0130M00217	WIRE HARNESS (M4)
NS	0130M00218	WIRE HARNESS (M4)
NS	0130M00219	WIRE HARNESS (M4)
NS	0130M00220	WIRE HARNESS (M1, M2)
NS	0130M00221	WIRE HARNESS (M1, M2)
NS	0130M00222	WIRE HARNESS (M1, M2)
NS	0130M00227	WIRE HARNESS
NS	0130M00200	WIRE HARNESS ASSY (M4)
NS	0130M00201	WIRE HARNESS ASSY (M4)
NS	0130M00202	WIRE HARNESS ASSY (M4)
NS	0130M00225	WIRE HARNESS ASSY (M4)

Expanded Model Nomenclature

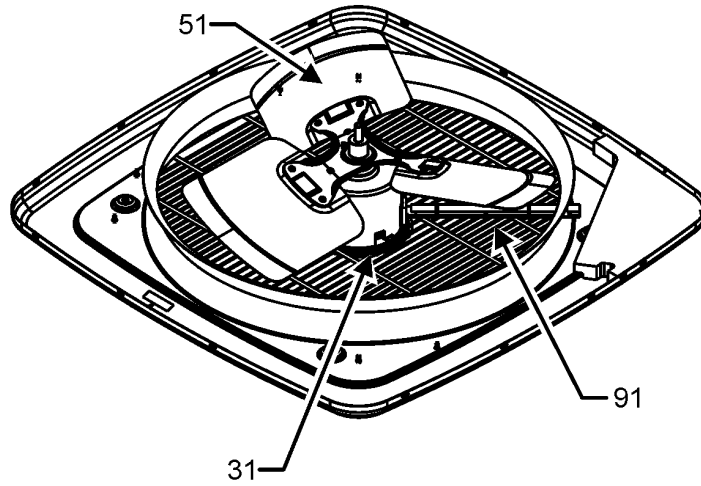
- | |
|-------------------|
| M1 - ASXV902410AA |
| M2 - ASXV903610AA |
| M3 - ASXV904810AA |
| M4 - ASXV906010AA |

Top and Side Panel Assembly

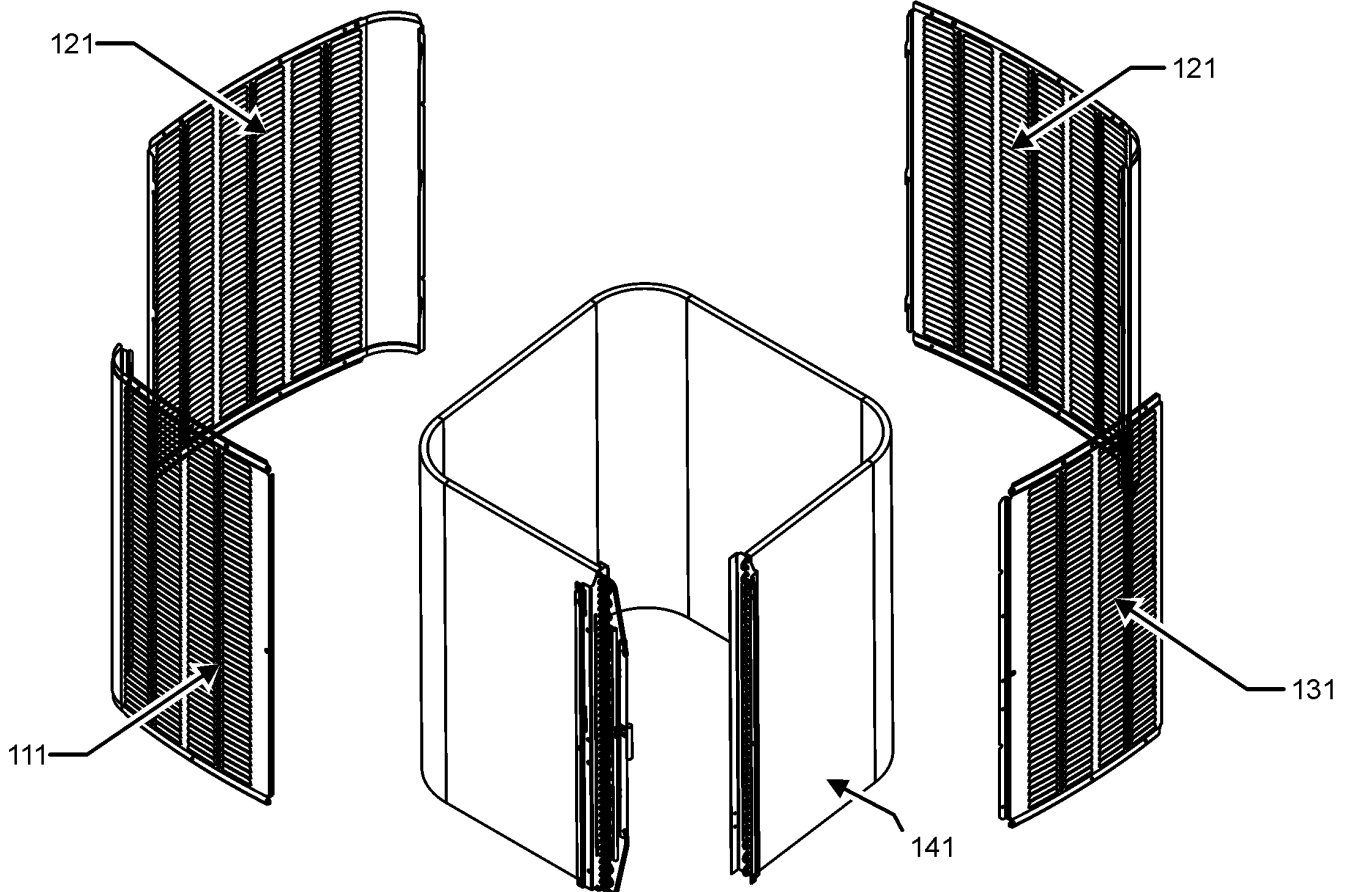
TOP PANEL ASSEMBLY
TOP VIEW



TOP PANEL ASSEMBLY
BOTTOM VIEW



LOUVER PANEL ASSEMBLY



Top and Side Panel Assembly

Ref. Part No:	Part No:	Description:	Ref. Part No:	Part No:	Description:
---------------	----------	--------------	---------------	----------	--------------

Image 1:

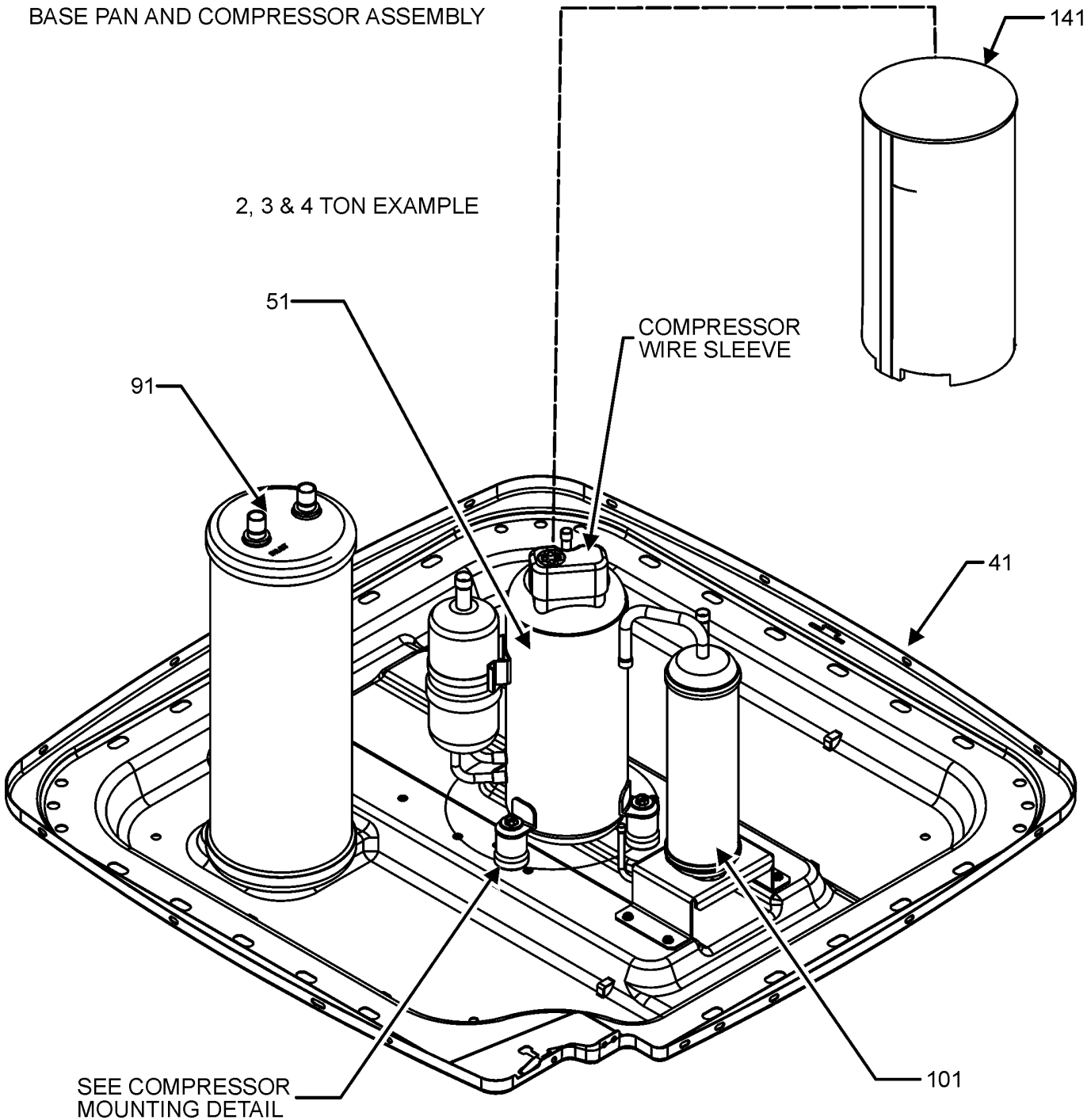
11	0121R00936PDG	TOP PANEL, 35. PNT
21	0152R00027	GRILL, WIRE 35. TOP
31	3P356931-1	FAN MOTOR
51	10625738	BLADE -FAN 26" ALUM CCW
71	0163M00003P	SCREW #10 X 1/2, A, SLOT, SR, BLACK (QTY 8)
91	0163M00385	CONDUIT-FLEXIBLE
111	0121R00363LG	PANEL 1, BENT LOUVER ASSY (M1, M2)
111	0121R00513LG	PANEL 1, BENT LOUVER ASSY (M3, M4)
121	0121R00514PLG	PANEL 2, BENT LOUVER 35_39.84 (M3, M4)
121	0121R00364LG	PANEL 2, BENT LOUVER ASSY (M1, M2)
131	0121R00365LG	PANEL 3, PAINTED LOUVER 35 (M1, M2)
131	0121R00515LG	PANEL 3, PAINTED LOUVER 35 (M3, M4)
141	0201R00499	COIL TBG, 36.38xL, 22mm CTC (M1, M2)
141	0201R00503	COIL TBG, 39.85xL, 22mm CTC (M3, M4)
NS	0161R00105	35" VENTURI CFS
NS	0121R00480	ADAPTER PLATE (M1, M2)
NS	0121R00482	ADAPTER PLATE (M3, M4)
NS	0154R00026	GASKET - CONTROL PANEL
NS	M0280801	NUT-HEX (QTY 4)
NS	0163M00004	SCREW,#10X3/4",BLK (QTY 4)

Expanded Model Nomenclature

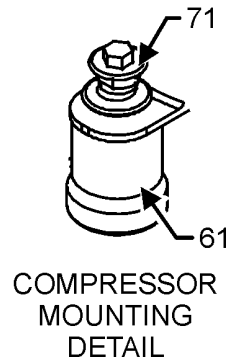
M1 - ASXV902410AA
M2 - ASXV903610AA
M3 - ASXV904810AA
M4 - ASXV906010AA

Base Pan and Compressor Assy

BASE PAN AND COMPRESSOR ASSEMBLY



BASE PAN AND COMPRESSOR ASSEMBLY
MAY DIFFER FROM WHAT IS SHOWN



Base Pan and Compressor Assy

Ref. Part

No: No:

Description:

Ref. Part

No: No:

Description:

Image 1:

41	0121R00007PDG	BASE PAN, 35.5" PNT
51	0156R00009	COMPRESSOR 2YC36MXD (M1)
51	0156R00011	COMPRESSOR 2YC63TXD (M2)
51	0156R00013	COMPRESSOR 2YC90FXD (M3)
51	0156R00015	COMPRESSOR JT100GCVDW (M4)
61	0164M00027	RUBBER GROMMET (M2, M3, M4)
61	0164M00028	RUBBER GROMMET (M1)
71	0163R00018	SCREW-SHOULDER TF (M2, M3, M4)
71	0163R00020	SCREW-SHOULDER TF (M1)
91	0151L00019	ACCUMULATOR (M1, M2)
91	0151L00020	ACCUMULATOR (M3)
91	0151L00021	ACCUMULATOR (M4)
101	0151R00144	OIL SEPARATOR
141	0160M00007	Compressor Blanket (M1)
141	0160M00008	Compressor Blanket (M3)
141	0160M00009	Compressor Blanket (M4)
141	0160M00010	compressor blanket (M2)
NS	0163R00023	ACCUMULATOR, NUT
NS	0159R00012	COMPRESSOR WIRE HARNESS (M1, M2)
NS	0159R00013	COMPRESSOR WIRE HARNESS (M3)
NS	0159R00014	COMPRESSOR WIRE HARNESS (M4)
NS	3P130357-15	CRANKCASE HEATER (M4)

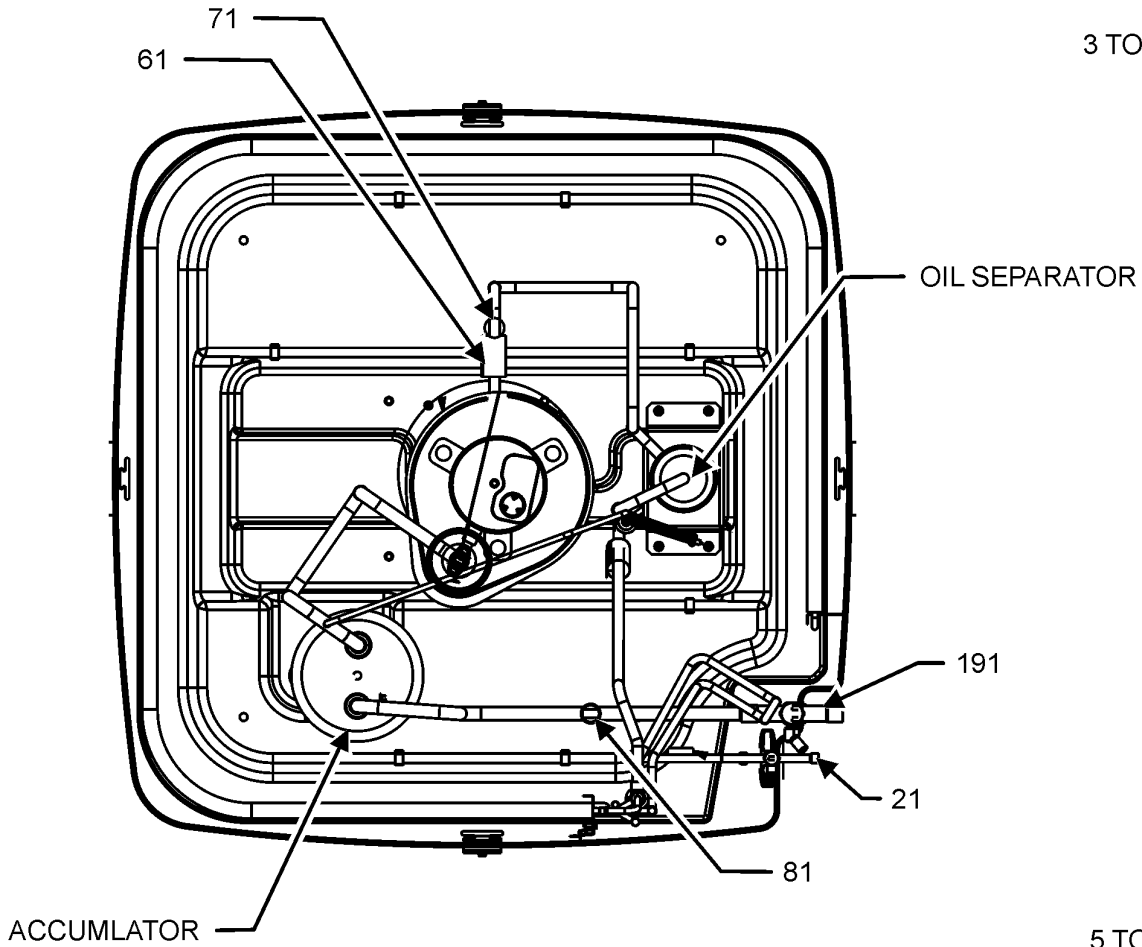
Expanded Model Nomenclature

M1 - ASXV902410AA
M2 - ASXV903610AA
M3 - ASXV904810AA
M4 - ASXV906010AA

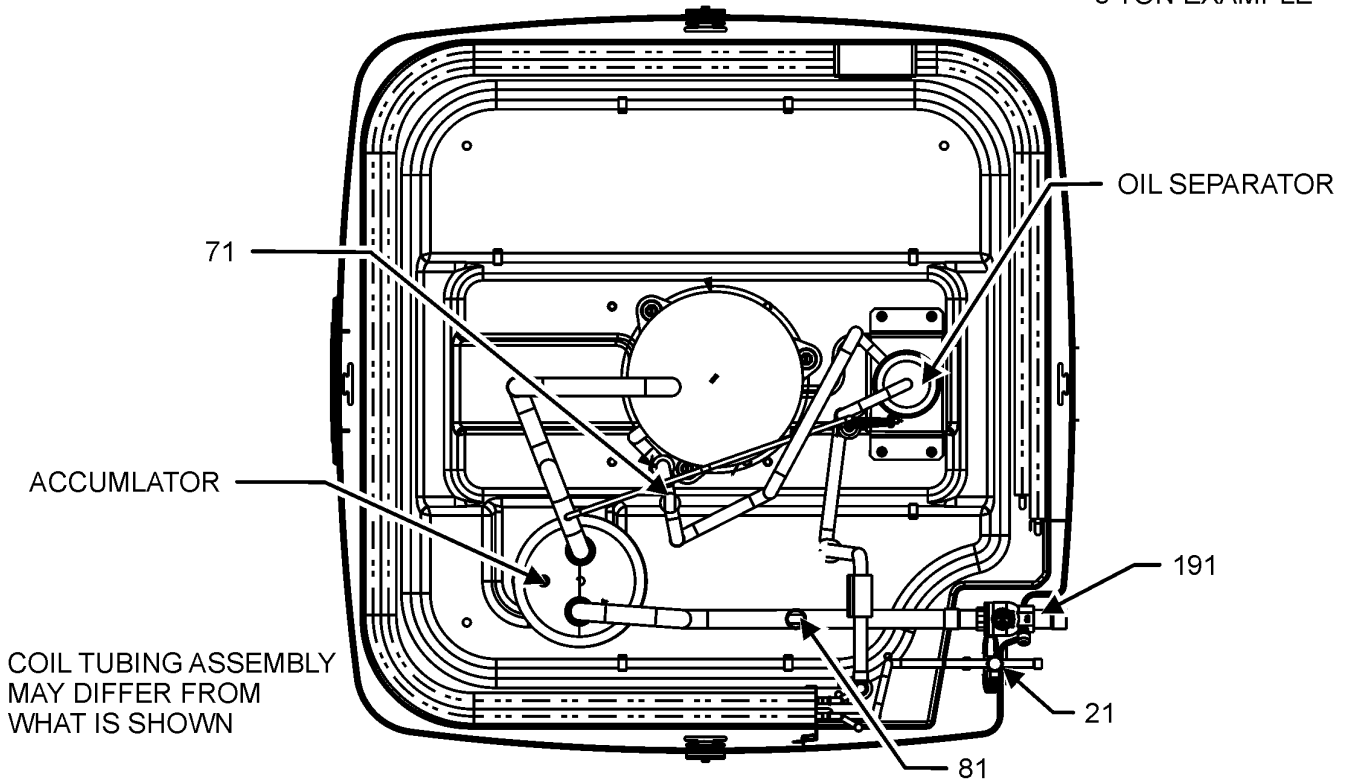
Tubing Assembly

COIL TUBING ASSEMBLY

3 TON EXAMPLE



5 TON EXAMPLE



Tubing Assembly

Ref. Part

No: No:

Description:

Ref. Part

No: No:

Description:

Image 1:

21	0151R00187	BASE VALVE 3/8"
61	4PA17856-4	THERMISTOR HOUSING TUBE
71	3P381424-2	HIGH PRESSURE SWITCH
81	3S481010-1	PRESSURE SENSOR
191	0151R00181	BALL VALVE 3/4" (M1)
191	0151R00182	BALL VALVE 7/8" (M2, M3, M4)
NS	4SA27006-1	CHECK VALVE (M1)
NS	4SA27011-1	CHECK VALVE (M2, M3)
NS	R3269031-3	FILTER
NS	4PA38890-1	MOUNTING SPRING, THERMISTOR (QTY 3)

Expanded Model Nomenclature

M1 - ASXV902410AA
M2 - ASXV903610AA
M3 - ASXV904810AA
M4 - ASXV906010AA