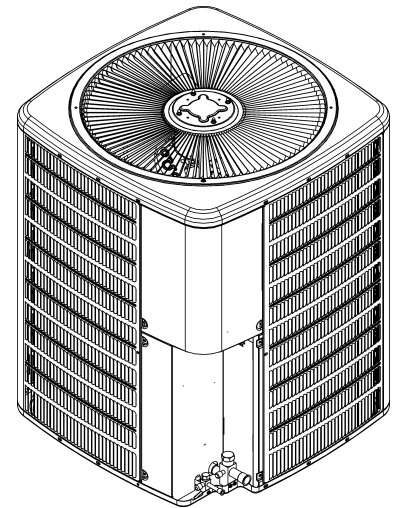


ASXN40**10 Remote Condensing Unit

ASXN401810AA
ASXN401810AB
ASXN402410AA
ASXN402410AB
ASXN403010AA
ASXN403010AB
ASXN403610AA
ASXN403610AB
ASXN404210AA
ASXN404210AB
ASXN404810AA
ASXN404810AB
ASXN406010AA
ASXN406010AB



Amana® is a registered trademark of Maytag Corporation or its related companies and is used under license. All rights reserved.

This manual is to be used by qualified technicians only.

This manual replaces RP-A4334

© 2022, 2024 Goodman Company, L.P. ♦ 19001 Kermier Rd. ♦ Waller, TX 77484

Important Information

Index

Functional Parts List	3
Illustration and Parts	4 - 9

Views shown are for parts illustrations only, not servicing procedures.

Text Codes:

AR - As Required

NA - Not Available

NS - Not Shown

00000000 - See Note

QTY - Quantity Example (QTY 3) (If Quantity not shown, Quantity = 1)

M - Model Example (M1) (If M Code not shown, then part is used on all Models)

Expanded Model Nomenclature:

Example M1 - Model#1 M2 - Model#2 M3 - Model#3

Goodman Company, L.P. is not responsible for personal injury or property damage resulting from improper service. Review all service information before beginning repairs.

Warranty service must be performed by an authorized technician, using authorized factory parts. If service is required after the warranty expires, Goodman Company, L.P. also recommends contacting an authorized technician and using authorized factory parts.

Goodman Company, L.P. reserves the right to discontinue, or change at any time, specifications or designs without notice or without incurring obligations.

For assistance within the U.S.A. contact:

Homeowner Support
Goodman Company, L.P.
19001 Kermier Road
Waller, Texas 77484
877-254-4729-Telephone
713-863-2382-Facsimile

For assistance outside the U.S.A. contact:

International Division
Goodman Company, L.P.
19001 Kermier Road
Waller, Texas 77484
713-861-2500-Telephone
713-863-2382-Facsimile

Functional Parts

Part No: **Description:**

0151R00185	BASE VALVE 3/4" (M1, M2, M3, M4)
0151R00187	BASE VALVE 3/8" (M1, M2, M3, M4, M5, M6, M7, M8, M9, M10, M11, M12)
0151R00186	BASE VALVE 7/8" (M5, M6, M7, M8, M9, M10, M11, M12, M13, M14)
0150M00012	BLADE-FAN 20" CCW (M1, M2, M3, M4)
CAB050350440CS	CAP, 5/35 MFD/440V RD - BPRF (M3, M4, M5, M6)
CAB050400440CT	CAP, 5/40 MFD/440V RD - BPRF (M7, M8, M11, M12)
CAB050450440CT	CAP, 5/45 MFD/440V RD - BPRF (M9, M10)
CAB050700440CT	CAP, 5/70 MFD/440V RD - BPRF (M13, M14)
CAP050300440CS	CAP, 5/30MFD/440V/DUAL RD (M1, M2)
0130R00116	CAPACITOR HARD START (M1, M2, M3, M4, M5, M6)
50N4928V-ZAKM	COMPRESSOR (M3, M4)
50N3829V-ZAKM	COMPRESSOR (M1, M2)
5VS245FAA21	COMPRESSOR (M5, M6)
ZP40K7EPFV130	COMPRESSOR, COPELAND (M11, M12)
ZP34K7EPFV130	COMPRESSOR, COPELAND (M9, M10)
ZP31K7EPFV130	COMPRESSOR, COPELAND (M7, M8)
ZP51K7EPFV130	COMPRESSOR, COPELAND (M13, M14)
CONT1P030024V	CONTACTOR 30 AMP, 1P, 24V
0130M00106	DISC TERM CRNKCS HTR SW (M13, M14)
0130M00349	DISC THERMOSTAT (M7, M8, M9, M10, M11, M12, M13, M14)
0150M00008	FAN BLADE, 22" TNT2203-25 (M5, M6)
0150M00054	FAN BLADE, 26" (M7, M8, M9, M10, M11, M12, M13, M14)
0163R00007	HEATER CRANKCASE 230V 40W (M13, M14)
0131M00807	MOTOR, 1/4HP, 1SP, 8PL, AL (M11, M12, M13, M14)
0131M00753	MOTOR, 1/6HP, 1SP, 8PL, AL (M5, M6, M7, M8)
0131M00945	MOTOR, 1/6HP, 8PL (M9, M10)
0131M00969	MOTOR, 1/8HP, 8PL, PSC (M1, M2, M3, M4)
0130M00851	PRE-WIRED RELAY, HARD START (M1, M2, M3, M4, M5, M6)
0130M00089	SW-CUTOUT HI PRESS (M1, M2, M3, M4, M5, M6)

Expanded Model Nomenclature

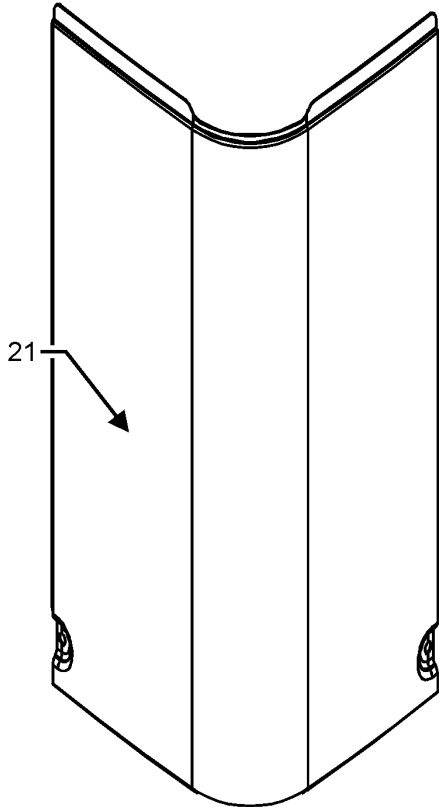
M1 - ASXN401810AA
M2 - ASXN401810AB
M3 - ASXN402410AA
M4 - ASXN402410AB
M5 - ASXN403010AA
M6 - ASXN403010AB
M7 - ASXN403610AA
M8 - ASXN403610AB
M9 - ASXN404210AA
M10 - ASXN404210AB
M11 - ASXN404810AA
M12 - ASXN404810AB
M13 - ASXN406010AA
M14 - ASXN406010AB

SPECIAL PARTS

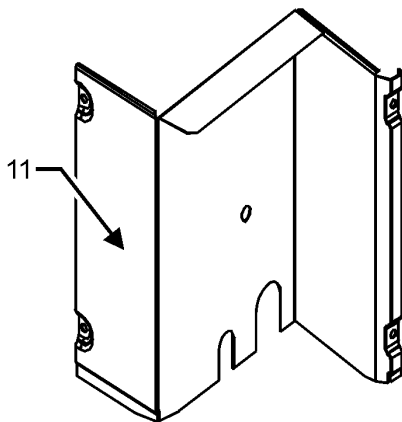
0121R00854	HARD START KIT BRACKET (M1, M2, M3, M4, M5, M6)
0161R00087	NAMEPLATE, AMANA LOGO

Control Panel Assembly

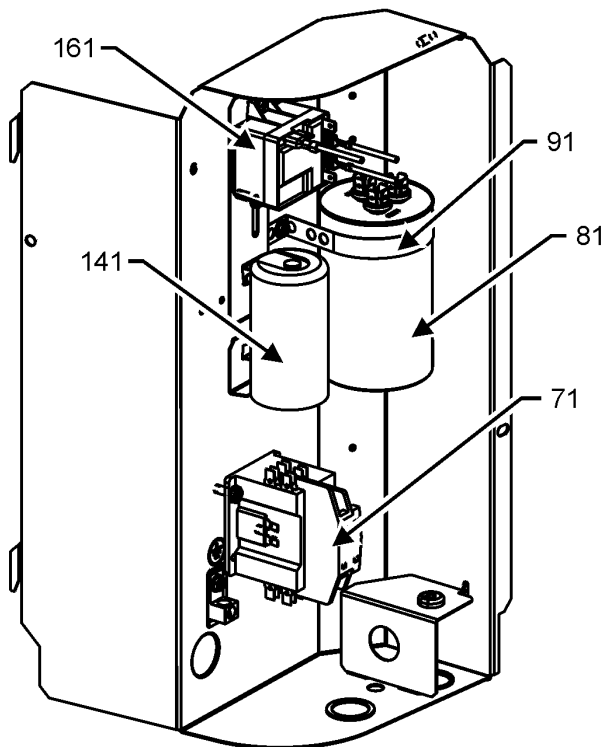
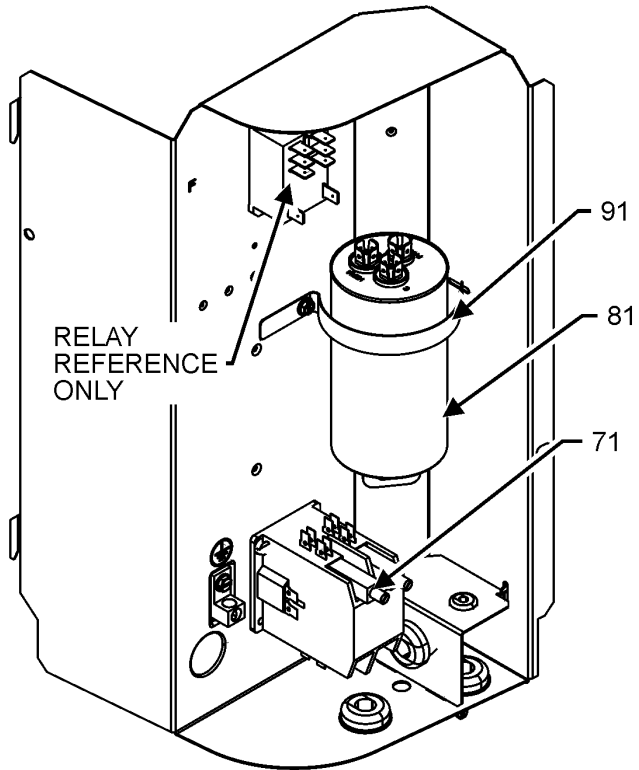
CONTROL PANEL ASSEMBLY



UPPER ACCESS COVER



LOWER ACCESS PANEL



CONTROL PANEL ASSEMBLY MAY DIFFER FROM WHAT IS SHOWN

Control Panel Assembly

Ref. Part No:	Part No:	Description:	Ref. Part No:	Part No:	Description:
---------------	----------	--------------	---------------	----------	--------------

Image 1:

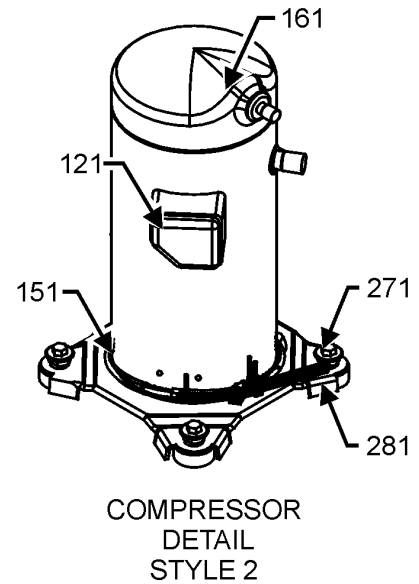
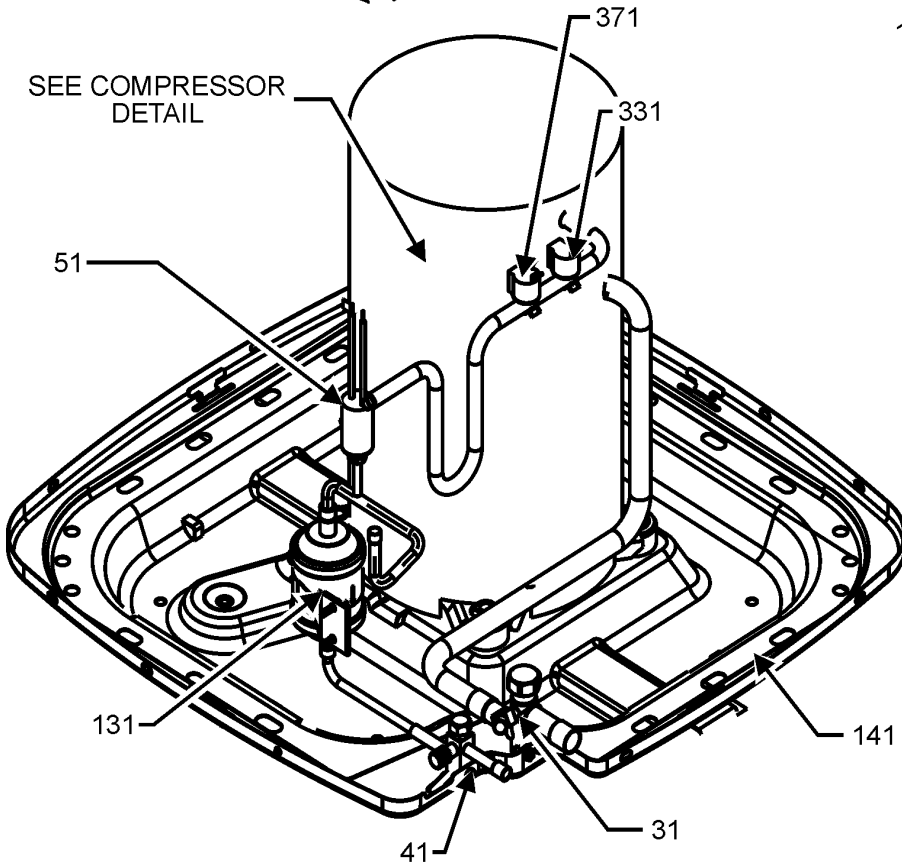
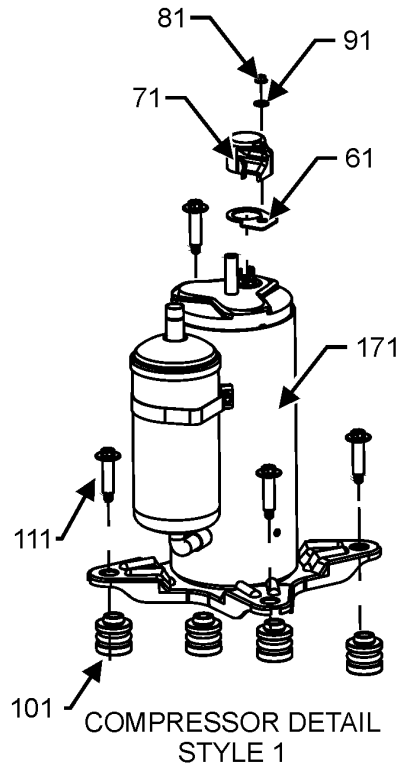
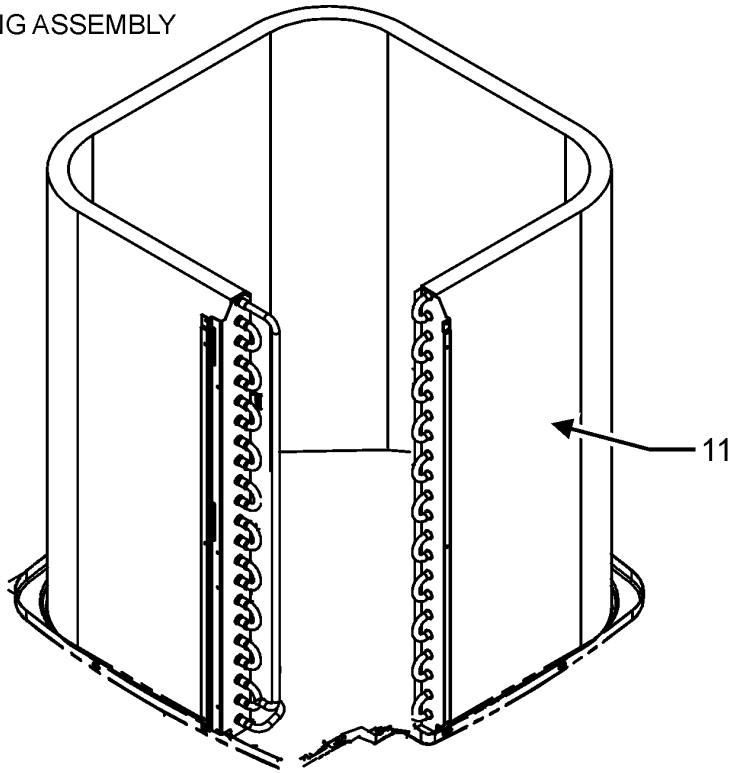
11	0121R00909PDG	PNL, LWR ACCESS (M5, M6, M9, M10, M11, M12)
11	0121R00912PDG	PNL, LWR ACCESS (M7, M8)
11	0121R00915PDG	PNL, LWR ACCESS (M1, M2)
11	0121R00917PDG	PNL, LWR ACCESS (M13, M14)
11	0121R00919PDG	PNL, LWR ACCESS (M3, M4)
21	0121R00937	PNL, CONTROL COVER
71	CONT1P030024V	CONTACTOR 30 AMP, 1P, 24V
81	CAB050350440CS	CAP, 5/35 MFD/440V RD - BPRF (M3, M4, M5, M6)
81	CAB050400440CT	CAP, 5/40 MFD/440V RD - BPRF (M7, M8, M11, M12)
81	CAB050450440CT	CAP, 5/45 MFD/440V RD - BPRF (M9, M10)
81	CAB050700440CT	CAP, 5/70 MFD/440V RD - BPRF (M13, M14)
81	CAP050300440CS	CAP,5/30MFD/440V/DUAL RD (M1, M2)
91	4400065	CAPACITOR STRAP
141	0130R00116	CAPACITOR HARD START (M1, M2, M3, M4, M5, M6)
161	0130M00851	PRE-WIRED RELAY, HARD START (M1, M2, M3, M4, M5, M6)
NS	0121R00854	HARD START KIT BRACKET (M1, M2, M3, M4, M5, M6)
NS	0161R00087	NAMEPLATE, AMANA LOGO

Expanded Model Nomenclature

- | |
|--------------------|
| M1 - ASXN401810AA |
| M2 - ASXN401810AB |
| M3 - ASXN402410AA |
| M4 - ASXN402410AB |
| M5 - ASXN403010AA |
| M6 - ASXN403010AB |
| M7 - ASXN403610AA |
| M8 - ASXN403610AB |
| M9 - ASXN404210AA |
| M10 - ASXN404210AB |
| M11 - ASXN404810AA |
| M12 - ASXN404810AB |
| M13 - ASXN406010AA |
| M14 - ASXN406010AB |

Compressor and Tubing Assembly

TUBING ASSEMBLY



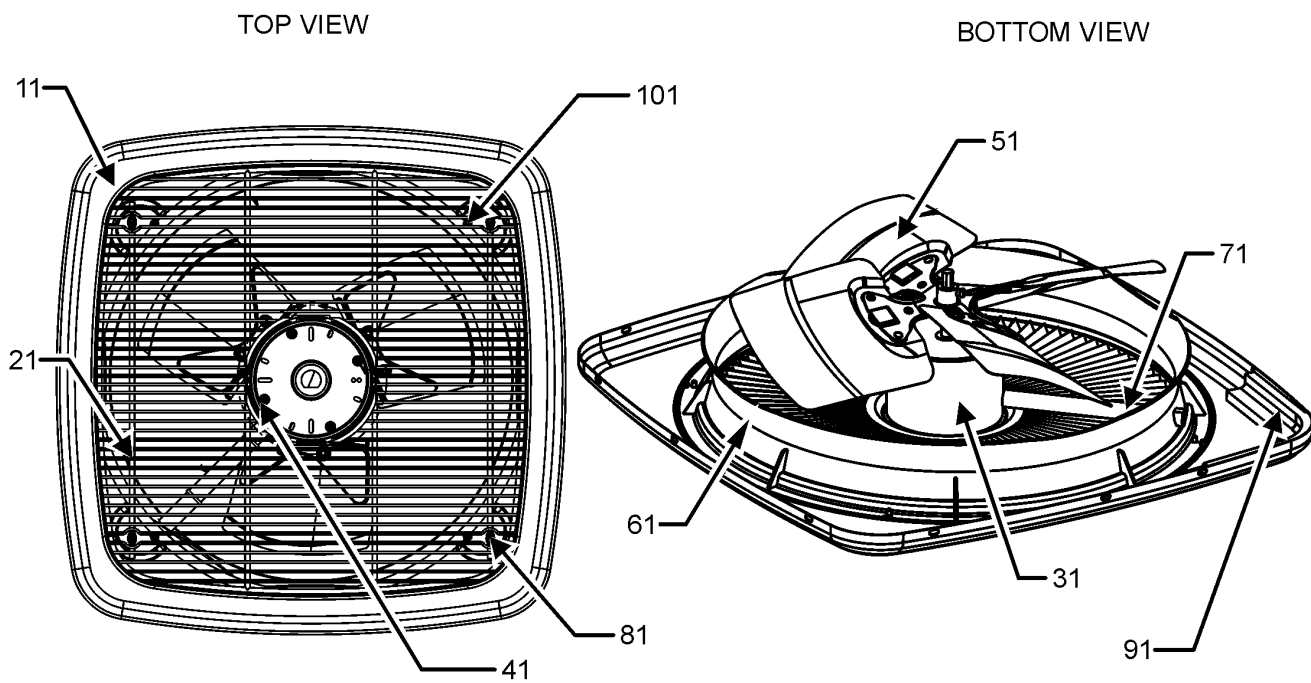
ACTUAL TUBING ASSEMBLY MAY DIFFER FROM WHAT IS SHOWN

Compressor and Tubing Assembly

Ref. Part No:	No:	Description:	Ref. Part No:	No:	Description:
<i>Image 1:</i>			Expanded Model Nomenclature		
11	0201R00236	COIL TUBING ASSY (M5, M6)	M1	-	ASXN401810AA
11	0201R00311	COIL TUBING ASSY (M7, M8)	M2	-	ASXN401810AB
11	0201R00433	COIL TUBING ASSY (M11, M12)	M3	-	ASXN402410AA
11	0201R00666	COIL TUBING ASSY (M3, M4)	M4	-	ASXN402410AB
11	0201R00732	COIL TUBING ASSY (M13, M14)	M5	-	ASXN403010AA
11	0201R00778	COIL TUBING ASSY (M1, M2)	M6	-	ASXN403010AB
11	0201R00809	COIL TUBING ASSY (M9, M10)	M7	-	ASXN403610AA
31	0151R00185	BASE VALVE 3/4" (M1, M2, M3, M4)	M8	-	ASXN403610AB
31	0151R00186	BASE VALVE 7/8" (M5, M6, M7, M8, M9, M10, M11, M12, M13, M14)	M9	-	ASXN404210AA
41	0151R00187	BASE VALVE 3/8" (M1, M2, M3, M4, M5, M6, M7, M8, M9, M10, M11, M12)	M10	-	ASXN404210AB
51	0130M00089	SW-CUTOUT HI PRESS (M1, M2, M3, M4, M5, M6)	M11	-	ASXN404810AA
61	0154M00003	GASKET, TERM COVER (M5, M6)	M12	-	ASXN404810AB
61	60100107	TERMINAL COVER GASKET (M1, M2, M3, M4)	M13	-	ASXN406010AA
71	0130M00028	TERMINAL COVER (M5, M6)	M14	-	ASXN406010AB
71	60100317	TERMINAL COVER (M1, M2, M3, M4)			
81	0163M00468	TERMINAL COVER NUT (M5, M6)			
81	60100401	TERMINAL NUT - RECHI COMP (M1, M2, M3, M4)			
91	0154M00078	TERMINAL COVER NUT GASKET (M5, M6)			
91	60100201	WASHER - RECHI COMPRESSOR (M1, M2, M3, M4)			
101	60140209	GROMMET - RECHI COMPRESSOR (M1, M2, M3, M4)			
101	0164M00000P	GROMMET, COMP, PANASONIC (M5, M6)			
111	0163M00186	SCREW-SHOULDER TF (M1, M2, M3, M4)			
111	0163M00502	SCREW-SHOULDER TF BLUE (M5, M6)			
121	0159R00002P	HARNES, COMP SCROLL 130 46" (M7, M8, M9, M10, M11, M12, M13, M14)			
131	0162R00057	FILTER DRIER			
141	0121R00005PDG	BASE PAN, 26" PNT (M1, M2, M3, M4)			
141	0121R00006PDG	BASE PAN, 29" PNT (M5, M6)			
141	0121R01090PDG	PAINTED BASE PAN 35.5" (M7, M8, M9, M10, M11, M12, M13, M14)			
151	0163R00007	HEATER CRANKCASE 230V 40W (M13, M14)			
161	ZP31K7EPFV130	COMPRESSOR, COPELAND (M7, M8)			
161	ZP34K7EPFV130	COMPRESSOR, COPELAND (M9, M10)			
161	ZP40K7EPFV130	COMPRESSOR, COPELAND (M11, M12)			
161	ZP51K7EPFV130	COMPRESSOR, COPELAND (M13, M14)			
171	50N3829V-ZAKM	COMPRESSOR (M1, M2)			
171	50N4928V-ZAKM	COMPRESSOR (M3, M4)			
171	5VS245FAA21	COMPRESSOR (M5, M6)			
271	M0221641	TF SHOULDER SCREW (M7, M8, M9, M10, M11, M12, M13, M14)			
281	B1339533	COMPRESSOR GROMMET (M7, M8, M9, M10, M11, M12, M13, M14)			
331	0130M00106	DISC TERM CRNKCS HTR SW (M13, M14)			
371	0130M00349	DISC THERMOSTAT (M7, M8, M9, M10, M11, M12, M13, M14)			
NS	0160M00036	COMNPRESSOR BLANKET (M1, M2, M3, M4, M5, M6)			

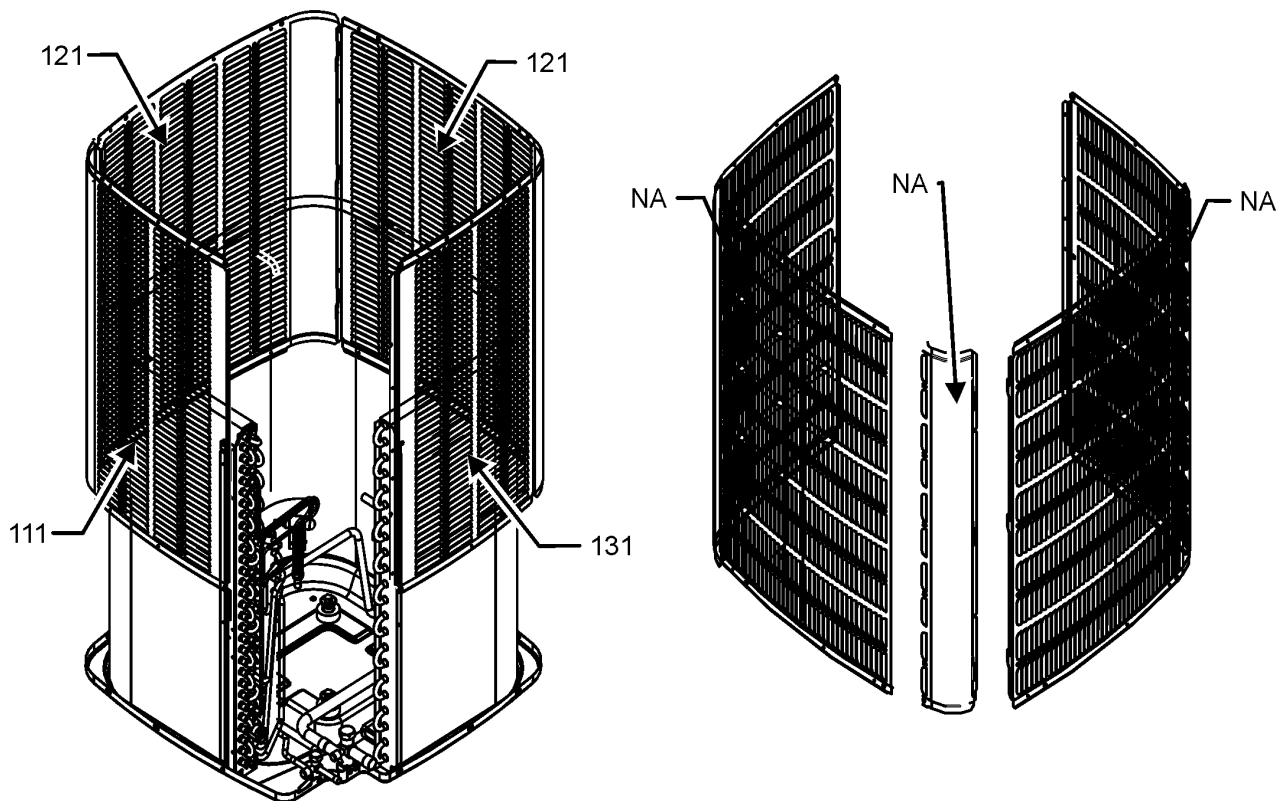
Top and Louver Panel Assembly

TOP PANEL AND LOUVER PANEL ASSEMBLY



LOUVER PANEL ASSEMBLY STYLE 1

LOUVER PANEL ASSEMBLY STYLE 2



TOP PANEL AND LOUVER ASSEMBLY MAY DIFFER FROM WHAT IS SHOWN

Top and Louver Panel Assembly

Ref. Part No:	No:	Description:	Ref. Part No:	No:	Description:
Image 1:			Expanded Model Nomenclature		
11	0121R00931PDG	PANEL, TOP 26. PNT (M1, M2, M3, M4)	M1	-	ASXN401810AA
11	0121R00935PDG	PANEL, TOP 29. PNT (M5, M6)	M2	-	ASXN401810AB
11	0121R00936PDG	TOP PANEL, 35. PNT (M7, M8, M9, M10, M11, M12, M13, M14)	M3	-	ASXN402410AA
21	0152R00024	26" GRILLE CFS (M1, M2, M3, M4)	M4	-	ASXN402410AB
21	0152R00025	29" GRILLE CFS (M5, M6)	M5	-	ASXN403010AA
21	0152R00026	GRILL, WIRE 35. TOP (M7, M8, M9, M10, M11, M12, M13, M14)	M6	-	ASXN403010AB
31	0131M00807	MOTOR, 1/4HP,1SP,8PL,AL (M11, M12, M13, M14)	M7	-	ASXN403610AA
31	0131M00753	MOTOR, 1/6HP, 1SP, 8PL, AL (M5, M6, M7, M8)	M8	-	ASXN403610AB
31	0131M00945	MOTOR, 1/6HP, 8PL (M9, M10)	M9	-	ASXN404210AA
31	0131M00969	MOTOR, 1/8HP, 8PL, PSC (M1, M2, M3, M4)	M10	-	ASXN404210AB
41	0163M00006P	ACORN NUT 5/16 HEX BLACK (M5, M6)	M11	-	ASXN404810AA
51	0150M00012	BLADE-FAN 20" CCW (M1, M2, M3, M4)	M12	-	ASXN404810AB
51	0150M00008	FAN BLADE, 22" TNT2203-25 (M5, M6)	M13	-	ASXN406010AA
51	0150M00054	FAN BLADE, 26" (M7, M8, M9, M10, M11, M12, M13, M14)	M14	-	ASXN406010AB
61	0161R00103	26" VENTURI CFS (M1, M2, M3, M4)			
61	0161R00104	29" VENTURI CFS (M5, M6)			
61	0161R00105	35" VENTURI CFS (M7, M8, M9, M10, M11, M12, M13, M14)			
71	0161R00005P	CONDUIT (M7, M8, M9, M10, M11, M12, M13, M14)			
71	0161R00122	CONDUIT (M1, M2, M3, M4)			
71	0161R00123	CONDUIT (M5, M6)			
81	0163M00003P	SCREW,#10 X 1/2,A,SLOT,SR,BLK (QTY 4)			
91	0154R00045	GASKET, CONTROL PANEL			
101	0163M00004	SCREW 10X3/4 BLK (QTY 4)			
111	0121R00203PLG	LOUVER, SIDE PANEL (M5, M6)			
111	0121R00207PLG	LOUVER, SIDE PANEL (M1, M2)			
111	0121R00208PLG	LOUVER, SIDE PANEL (M3, M4)			
111	0121R00927PLG	PANEL 1, LOUVER 35_34.64 PNT (M13, M14)			
111	0121R00240PLG	PANEL 1, LOUVER 35 (M9, M10, M11, M12)			
111	0121R00239PLG	PANEL 1, LOUVER 35, 5MM, PNT (M7, M8)			
121	0121R00198PLG	LOUVER, SIDE PANEL (M1, M2)			
121	0121R00199PLG	LOUVER, SIDE PANEL (M3, M4)			
121	0121R00206PLG	LOUVER, SIDE PANEL (M5, M6)			
121	0121R00244PLG	PANEL 2, LOUVER 35 (M9, M10, M11, M12)			
121	0121R00243PLG	PANEL 2, LOUVER 35, 5MM, PNT (M7, M8)			
121	0121R00928PLG	PANEL 2, LOUVER 35_34.64 PNT (M13, M14)			
131	0121R00195PLG	LOUVER, SIDE PANEL (M5, M6)			
131	0121R00196PLG	LOUVER, SIDE PANEL (M1, M2)			
131	0121R00197PLG	LOUVER, SIDE PANEL (M3, M4)			
131	0121R00248PLG	PANEL 3, LOUVER 35 (M9, M10, M11, M12)			
131	0121R00247PLG	PANEL 3, LOUVER 35, 5MM, PNT (M7, M8)			
131	0121R00929PLG	PANEL 3, LOUVER 35_34.64 PNT (M13, M14)			
NS	0163M00005P	WASHER, BLACK (.50 OD .218D) (M5, M6)			