

## ADVT 96% ECM CF Furnace

ADVT960403BNAA  
ADVT960403BNAB  
ADVT960603BNAA  
ADVT960603BNAB  
ADVT960804CNAA  
ADVT961005CNAA  
ADVT961205DNAA



Amana® is a registered trademark of Maytag Corporation or its related companies and is used under license. All rights reserved.

This manual is to be used by qualified technicians only.

This manual replaces RP-A2359.

© 2025 Daikin Comfort Technologies Manufacturing, Inc. ♦ 19001 Kermier Rd. ♦ Waller, TX 77484

# Important Information

---

## Index

Functional Parts List .....	3
Illustration and Parts .....	4 - 11

*Views shown are for parts illustrations only, not servicing procedures.*

### Text Codes:

AR - As Required

NA - Not Available

NS - Not Shown

00000000 - See Note

QTY - Quantity Example (QTY 3) (If Quantity not shown, Quantity = 1)

M - Model Example (M1) (If M Code not shown, then part is used on all Models)

### Expanded Model Nomenclature:

Example
M1 - Model#1
M2 - Model#2
M3 - Model#3

Daikin Comfort Technologies Manufacturing , Inc. is not responsible for personal injury or property damage resulting from improper service. Review all service information before beginning repairs.

Warranty service must be performed by an authorized technician, using authorized factory parts. If service is required after the warranty expires, Daikin Comfort Technologies Manufacturing , Inc. also recommends contacting an authorized technician and using authorized factory parts.

Daikin Comfort Technologies Manufacturing , Inc. reserves the right to discontinue, or change at any time, specifications or designs without notice or without incurring obligations.

For assistance within the U.S.A. contact:  
Homeowner Support  
Daikin Comfort Technologies Manufacturing , Inc.  
19001 Kermier Road  
Waller, Texas 77484  
877-254-4729-Telephone  
713-863-2382-Facsimile

For assistance outside the U.S.A. contact:  
International Division  
Daikin Comfort Technologies Manufacturing , Inc.  
19001 Kermier Road  
Waller, Texas 77484  
713-861-2500-Telephone  
713-863-2382-Facsimile

# Functional Parts

## Part

## No: Description:

---

SHARED DATA	Available thru CoolCloud HVAC app.
0163F00017	BECKETT BURNER (QTY 2)
0130F00010	FLAME SENSOR
0151M00027	GAS VALVE
0257F20069	HEAT EXCHANGER ASSY (M3, M4)
0257F20070	HEAT EXCHANGER ASSY (M5)
0257F20071	HEAT EXCHANGER ASSY (M6)
0257F20072	HEAT EXCHANGER ASSY (M7)
0257F20068	HEAT EXCHANGER ASSY (M1, M2)
0130F00008	IGNITOR-SINI 17 SEC
0130M00141	INDUCTOR, 5.9 AMPS (M5, M6, M7)
0130F00038	LIMIT AUX (QTY 2)
20162904	LIMIT, PRIMARY (M5)
0130F00036	LIMIT, PRIMARY (M7)
20162906	LIMIT, PRIMARY (M1, M2, M6)
0130F00035	LIMIT, PRIMARY (M3, M4)
10123538	LIMIT-MAN-LIGHT GREEN (M3, M4)
10123527	LIMIT-RESET MAN-BROWN (M7)
10123533	LIMIT-RESET MAN-YELLOW (M1, M2)
0130F00123	MANUAL RESET LIMIT (M5, M6)
0131M01011	MOTOR, 1 HP (M6, M7)
0131M01002	MOTOR, 1/2 HP (M1, M2, M3, M4)
0131M01003	MOTOR, 3/4 HP (M5)
0171M00002	MOTOR-ID, BLOWER
PCBKF321	PCB CONTROL BOARD
PCBKF321	PCB, CONTROL BOARD
0130F00434	PRESSURE SWITCH (M6)
0130F00485	PRESSURE SWITCH (M1, M2)
0130F00429	PRESSURE SWITCH (M3, M4, M5, M6, M7)
0130F00433	PRESSURE SWITCH (M1, M2)
0130F00443	PRESSURE SWITCH (M7)
0130F00436	PRESSURE SWITCH (M5)
0130F00435	PRESSURE SWITCH (M3, M4)
10690402	SWITCH-INTERLOCK
0130M00140	TRANSFORMER,(120V TO 24V,40VA,

## SPECIAL PARTS

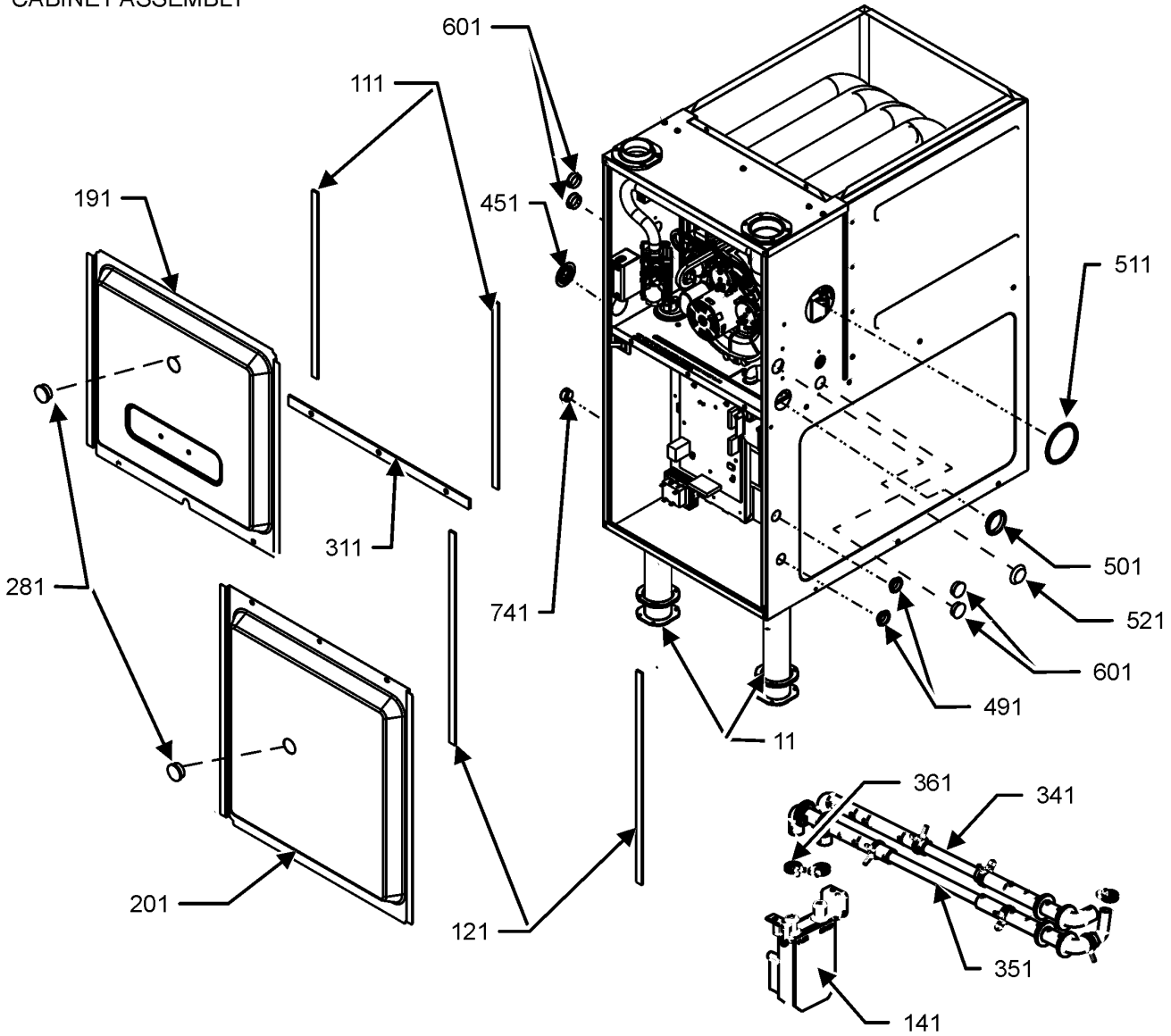
0161M00032 NAMEPLATE, AMANA

## Expanded Model Nomenclature

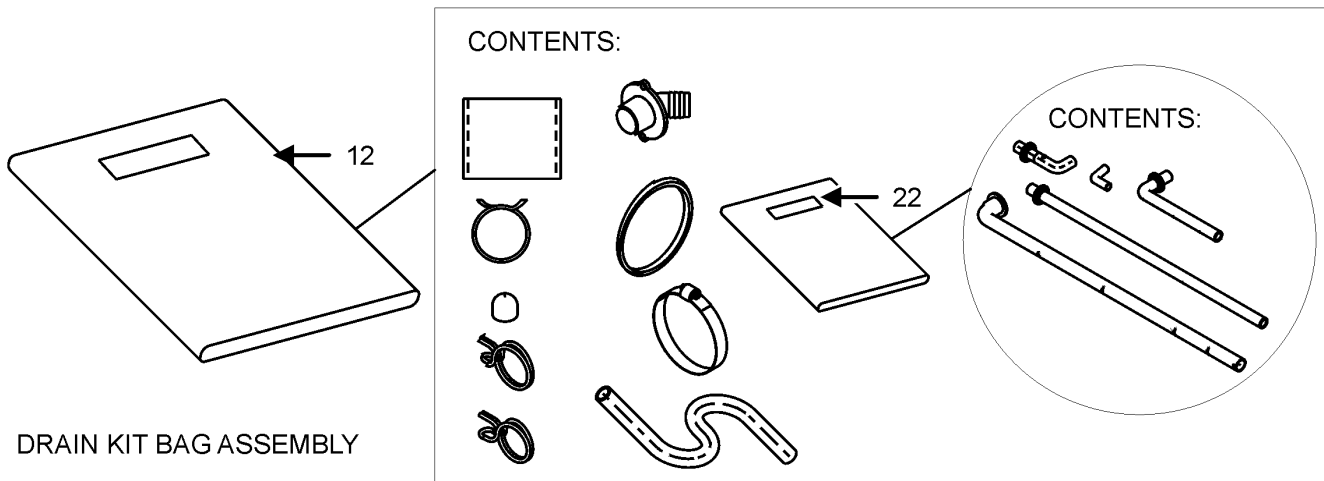
M1 - ADVT960403BNAA
M2 - ADVT960403BNAB
M3 - ADVT960603BNAA
M4 - ADVT960603BNAB
M5 - ADVT960804CNAA
M6 - ADVT961005CNAA
M7 - ADVT961205DNAA

# Cabinet Assembly

## CABINET ASSEMBLY



CABINET ASSEMBLY MAY DIFFER FROM WHAT IS SHOWN



# Cabinet Assembly

Ref. Part No:	Part No:	Description:	Ref. Part No:	Part No:	Description:
---------------	----------	--------------	---------------	----------	--------------

**Image 1:**

11	0161F00064	PIPE, STRAIGHT CF (QTY 2)
111	0154F00024	GASKET (QTY 2)
121	0154F00025	GASKET (QTY 2)
141	0161F00046	DRAIN TRAP
191	0121F00338LG	DOOR ACCESS 21" PNT (M5, M6)
191	0121F00337LG	DOOR, ACCESS 17.5" PNT (M1, M2, M3, M4)
191	0121F00339LG	DOOR, ACCESS 24.5" PNT (M7)
201	0121F00340LG	DOOR, BLOWER 17.5" PNT (M1, M2, M3, M4)
201	0121F00341LG	DOOR, BLOWER 21" PNT (M5, M6)
201	0121F00342LG	DOOR, BLOWER 24.5" PNT (M7)
281	B1392139	VIEW PORT BUSHING-BLOWER DOOR (QTY 2)
311	0154F00020	GASKET, DECK (M1, M2, M3, M4)
311	0154F00021	GASKET, DECK (M5, M6)
311	0154F00022	GASKET, DECK (M7)
341	0270F03514	CF DRAIN TUBE ASSY (M1, M2, M3, M4)
341	0270F03515	CF DRAIN TUBE ASSY (M5, M6)
341	0270F03516	CF DRAIN TUBE ASSY (M7)
351	0270F03125	CF DRAIN TUBE ASSY (M1, M2, M3, M4)
351	0270F03126	CF DRAIN TUBE ASSY (M5, M6)
351	0270F03127	CF DRAIN TUBE ASSY (M7)
361	M0119206	CLAMP HOSE (QTY 4)
451	M0501301	PIPE GROMMET
491	M0570808	BUTTON PLUG
501	M0570806	BUTTON PLUG
511	M0570807	BUTTON PLUG
521	0161M00027	PLUG, HOLE
601	B1392021	PLASTIC PLUG, 1" (2713-BLK) (QTY 4)
741	B1392104	UNIVERSAL BUSHING UB 875
NS	M0310345	BUTTON PLUG (QTY 2)
NS	0163M00319	HEX NUT-INSERT (QTY 3)
NS	0161M00032	NAMEPLATE, AMANA
NS	M0273904	RETAINER SCREW (QTY 3)
NS	M0209730	SCREW-DECORATIVE (QTY 3)

**Image 2:**

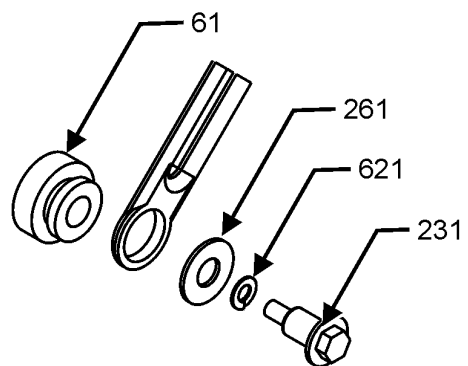
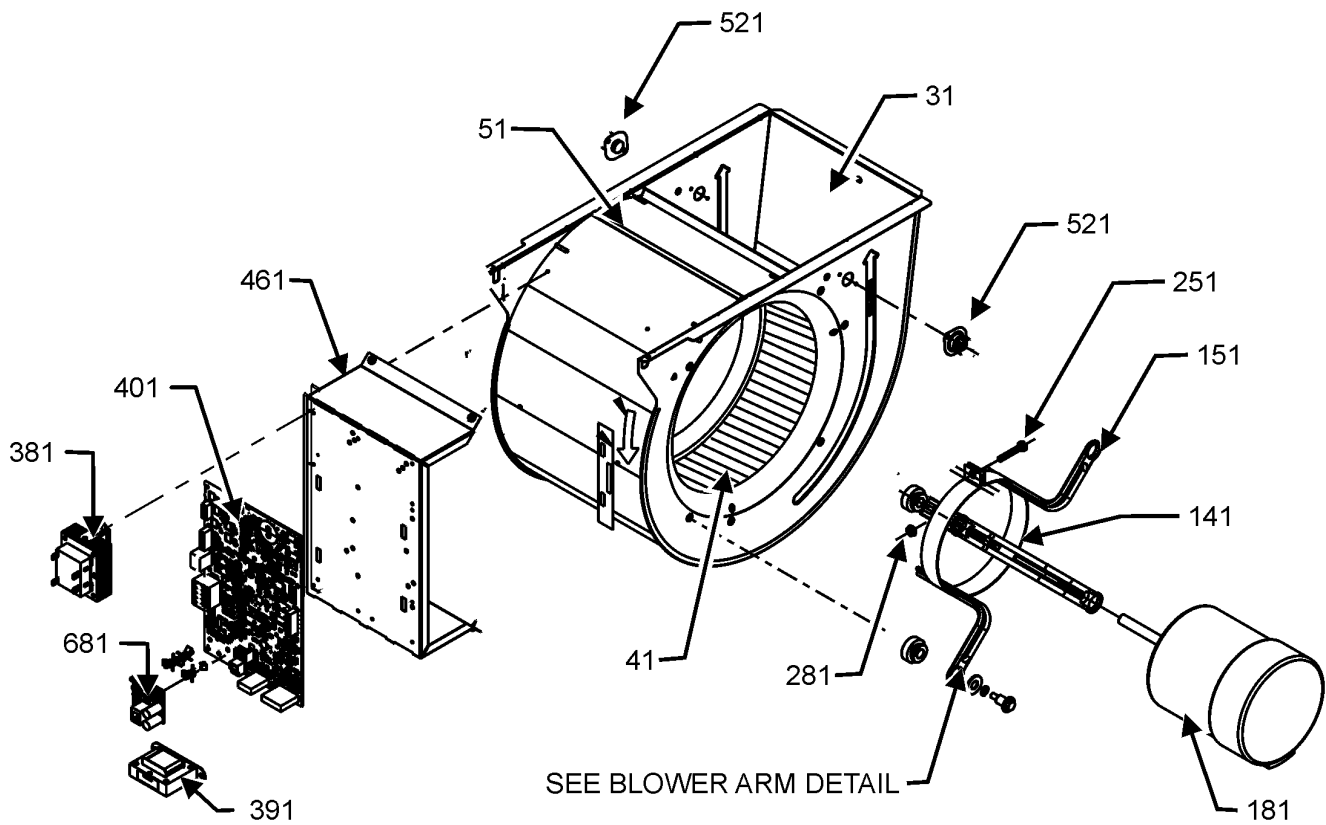
12	0270F05403	DRAIN KIT ASSY
22	0270F05403	DRAIN KIT ASSY

**Expanded Model Nomenclature**

- |                     |
|---------------------|
| M1 - ADVT960403BNAA |
| M2 - ADVT960403BNAB |
| M3 - ADVT960603BNAA |
| M4 - ADVT960603BNAB |
| M5 - ADVT960804CNAA |
| M6 - ADVT961005CNAA |
| M7 - ADVT961205DNAA |

# Blower Assembly

## BLOWER ASSEMBLY



BLOWER ARM DETAIL

BLOWER ASSEMBLY MAY DIFFER FROM WHAT IS SHOWN

# Blower Assembly

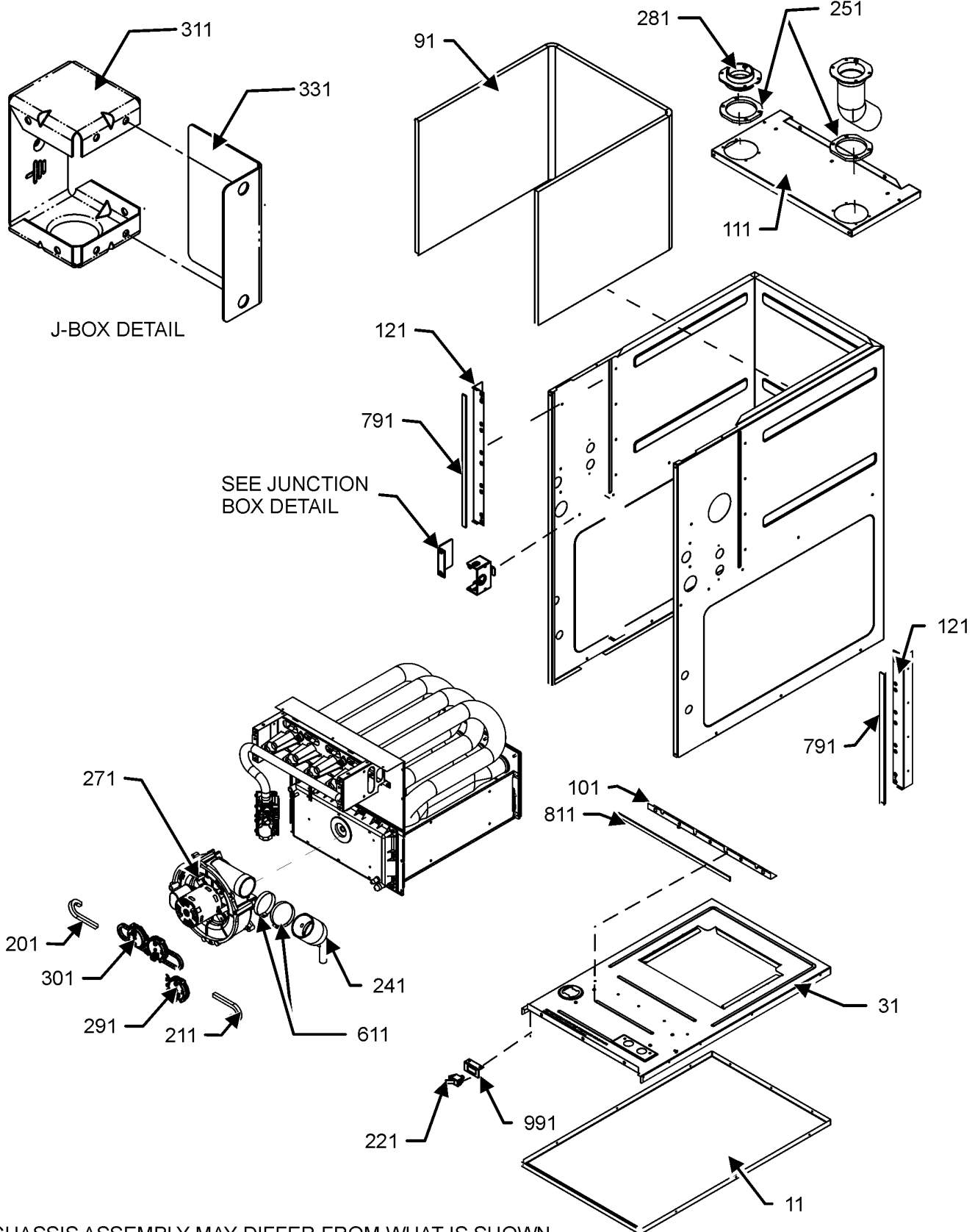
Ref. Part No:	Ref. Part No:	Description:	Description:
<b>Image 1:</b>			
31	0271F00462	BLOWER HOUSING ASSY (M1, M2)	
31	0271F00507	MORRISON 11 X 10 BLOWER (M5, M6)	
31	0271F00508	MORRISON 11 X 11 BLOWER (M7)	
31	0271F00506	MORRISON 11 X 8 BLOWER (M3, M4)	
41	0150M00043	WHEEL, BLOWER (10 X 8) (M1, M2)	
51	764740	BLWR BLK-OFF, 10X8 (M1, M2)	
61	A4002702	BLOWER MOTOR GROMMET (M5, M6, M7)	
141	0121M00038	MOTOR MOUNT BAND (M1, M2, M3, M4)	
141	10441601	MOTOR MOUNT BAND (M5, M6, M7)	
151	10441501	MOTOR MOUNT ARM (M5, M6, M7)	
151	B1376857	MOTOR MOUNT ARM (M1, M2, M3, M4)	
181	0131M01011	MOTOR, 1 HP (M6, M7)	
181	0131M01002	MOTOR, 1/2 HP (M1, M2, M3, M4)	
181	0131M01003	MOTOR, 3/4 HP (M5)	
231	0163F00028	SCREW (M5, M6, M7)	
231	M0250565	TC SCREW 1.25" (M1, M2, M3, M4)	
251	0163M00320	HEX HEAD ALL THREAD TAP BOLT (M6, M7)	
251	B1393323	MACHINE SCREW HWH 1/4-20 X 1-1/2 BZ (M1, M2, M3, M4, M5)	
261	B1392918	WASHER, FLAT 1/4 ID X 1 OD (M1, M2, M3, M4)	
261	M0274008	WASHER-FLAT (M5, M6, M7)	
281	M0282015	KEPS NUT (M6, M7)	
281	B1393800	LOCKNUT, NYLON, INSERT 1/4, 20 (M1, M2, M3, M4, M5)	
381	0130M00140	TRANSFORMER, (120V TO 24V, 40VA,	
391	0130M00141	INDUCTOR, 5.9 AMPS (M5, M6, M7)	
401	PCBKF321	PCB, CONTROL BOARD	
461	0121F00802	MOUNTING PLATE-CONTROLS	
521	0130F00038	LIMIT AUX (QTY 2)	
621	B1392820	WASHER, SPLIT LOCK 1/4 BZ (M5, M6, M7)	
681	PCBKF321	PCB CONTROL BOARD	
NS	SHARED DATA	Av ailable thru CoolCloud HVAC app.	
NS	0259F00040	CONTROL HARNESS	
NS	B1392021	PLASTIC PLUG, 1" (2713-BLK) (QTY 4)	
NS	0259F00041	POWER HARNESS HIGH VOLTAGE (M1, M2, M3, M4, M5, M6)	
NS	0259F00024	WIRE HARNESS-BLOWER	

## Expanded Model Nomenclature

M1 - ADVT960403BNAA
M2 - ADVT960403BNAB
M3 - ADVT960603BNAA
M4 - ADVT960603BNAB
M5 - ADVT960804CNAA
M6 - ADVT961005CNAA
M7 - ADVT961205DNAA

# Chassis Assembly

## CHASSIS ASSEMBLY



CHASSIS ASSEMBLY MAY DIFFER FROM WHAT IS SHOWN

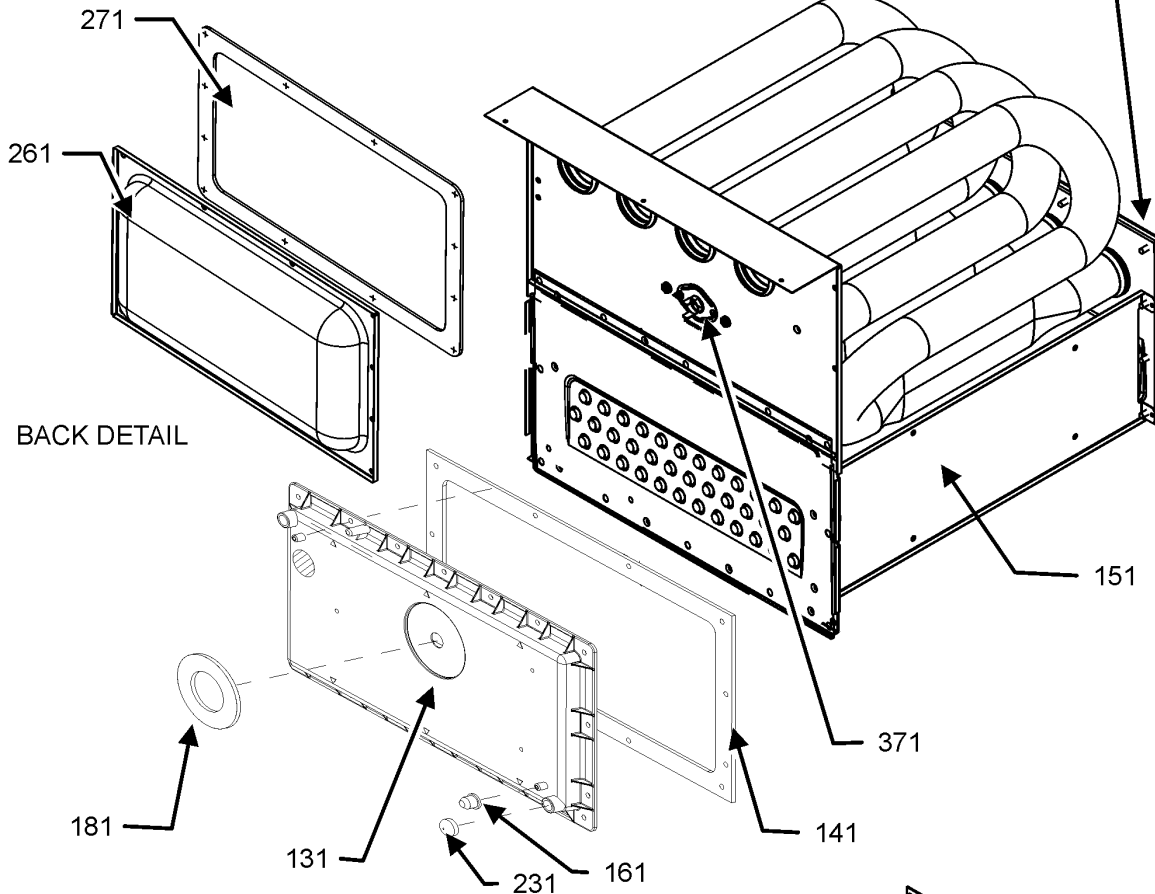
# Chassis Assembly

Ref. Part No:	Ref. Part No:	Description:	Description:
<b>Image 1:</b>		<b>Expanded Model Nomenclature</b>	
11	0121F00548DG	PAINTED BASEPAN, 17.5 CF (M1, M2, M3, M4)	M1 - ADVT960403BNAA
11	0121F00549DG	PAINTED BASEPAN, 21 CF (M5, M6)	M2 - ADVT960403BNAB
11	0121F00550DG	PAINTED BASEPAN, 24.5 CF (M7)	M3 - ADVT960603BNAA
31	0121F00536	DECK-BLOWER 17.5" CF (M1, M2, M3, M4)	M4 - ADVT960603BNAB
31	0121F00537	DECK-BLOWER 21" CF (M5, M6)	M5 - ADVT960804CNA A
31	0121F00538	DECK-BLOWER 24.5" CF (M7)	M6 - ADVT961005CNA A
91	0160F00015	INSULATION, HT EXCHANGER 17.5" (M1, M2, M3, M4)	M7 - ADVT961205DNA A
91	0160F00016	INSULATION, HT EXCHANGER 21" (M5, M6)	
91	0160F00017	INSULATION, HT EXCHANGER 24.5" (M7)	
101	0121F00314	ANGLE, DECK (M1, M2, M3, M4)	
101	0121F00315	ANGLE, DECK (M5, M6)	
101	0121F00316	ANGLE, DECK (M7)	
111	0121F00426DG	TOP, PAINTED FURNACE 17.5" CF (M1, M2, M3, M4)	
111	0121F00434DG	TOP, PAINTED FURNACE 21" CF (M5, M6)	
111	0121F00442DG	TOP, PAINTED FURNACE 24.5 CF (M7)	
121	0121F00313	ANGLE, SIDE (QTY 2)	
201	0164M20000	HOSE, PRESSURE	
211	0164M20002	HOSE, PRESSURE (M5, M6)	
211	0164M20004	HOSE, PRESSURE (M7)	
221	10690402	SWITCH-INTERLOCK	
241	0164F00026	ELBOW-FLUE, 17.5" CFLOW (M1, M2, M3, M4)	
241	0164F00027	ELBOW-FLUE, 21" CFLOW (M5, M6)	
241	0164F00028	ELBOW-FLUE, 24.5" CFLOW (M7)	
251	0154F00041	FRESH AIR GASKET	
271	0171M00002	MOTOR-ID, BLOWER	
281	0161F00037	COUPLING	
291	0130F00429	PRESSURE SWITCH (M3, M4, M5, M6, M7)	
291	0130F00485	PRESSURE SWITCH (M1, M2)	
301	0130F00433	PRESSURE SWITCH (M1, M2)	
301	0130F00434	PRESSURE SWITCH (M6)	
301	0130F00435	PRESSURE SWITCH (M3, M4)	
301	0130F00436	PRESSURE SWITCH (M5)	
301	0130F00443	PRESSURE SWITCH (M7)	
311	0121F20060	BOX JUNCTION 90%	
331	0121F20061	BOX JUNCTION 80%	
611	0163M00460	CLAMP HOSE (QTY 2)	
791	0154F00015	GASKET (QTY 2)	
811	0154F00014	GASKET (M1, M2, M3, M4)	
811	0154F00016	GASKET (M5, M6, M7)	
811	20194607	GASKET (M7)	
991	0121F00389	BRACKET, DOOR SWITCH	
NS	0259F00040	HARNESS, CONTROL	
NS	0259F00041	HARNESS-POWER (M1, M2, M3, M4, M5, M6)	
NS	0259F00279	HARNESS-POWER W/FERRITE (M7)	
NS	M0326804	PLUG-TUBE	
NS	0259F00024	WIRE HARNESS-BLOWER	

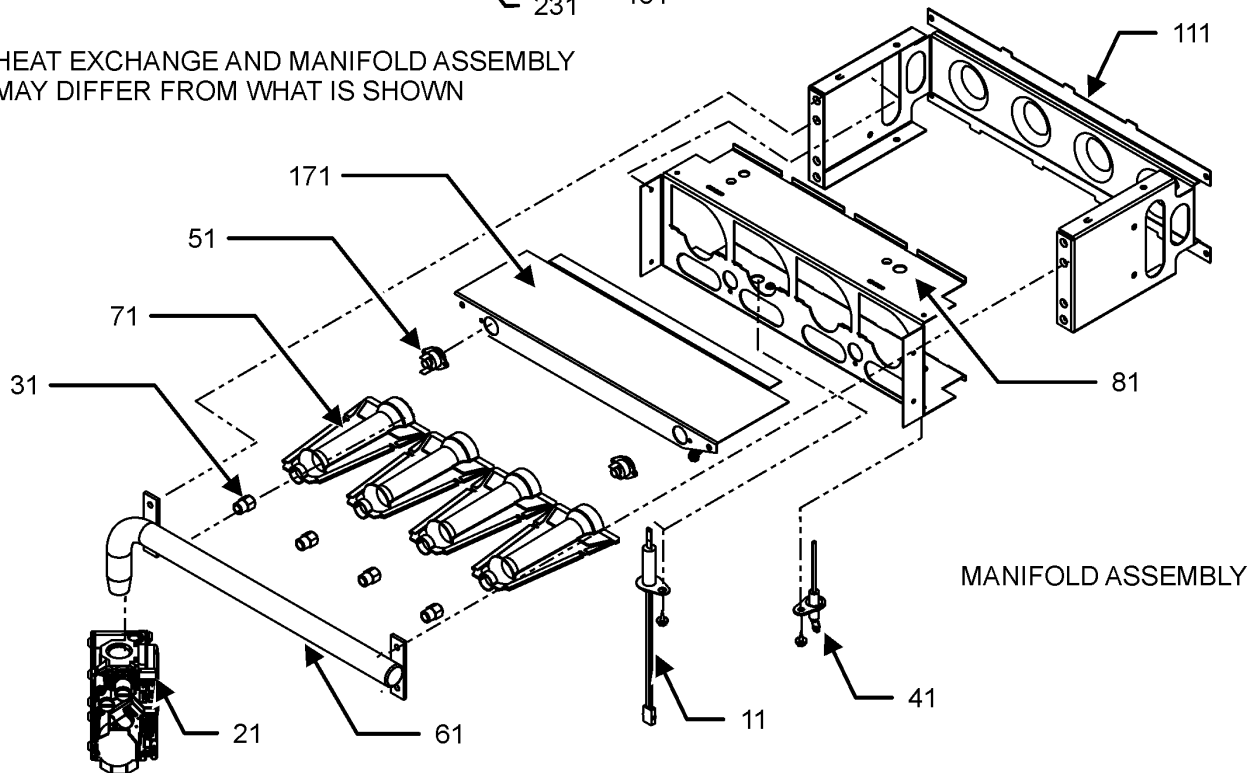
# Heat Exchange Assembly

HEAT EXCHANGE ASSEMBLY

SEE BACK DETAIL



HEAT EXCHANGE AND MANIFOLD ASSEMBLY  
MAY DIFFER FROM WHAT IS SHOWN



# Heat Exchange Assembly

Ref. Part No:	Ref. Part No:	Description:	Description:	
<b>Image 1:</b>		<b>Image 1:</b>		
11	0130F00008	IGNITOR-SINI 17 SEC	NS 0121F00585 INSULATION, RETAINER (M7)	
21	0151M00027	GAS VALVE	NS 0121F20013 PLATE, HEAT SHIELD	
31	10716005	ORIFICE (QTY 2)	NS 0121F00355 SHIELD, COIL (QTY 2)	
41	0130F00010	FLAME SENSOR	<b>Expanded Model Nomenclature</b>	
51	10123538	LIMIT-MAN-LIGHT GREEN (M3, M4)	M1 - ADVT960403BNAA	
51	10123527	LIMIT-RESET MAN-BROWN (M7)	M2 - ADVT960403BNAB	
51	10123533	LIMIT-RESET MAN-YELLOW (M1, M2)	M3 - ADVT960603BNAA	
51	0130F00123	MANUAL RESET LIMIT (M5, M6)	M4 - ADVT960603BNAB	
61	0163F00007	MANIFOLD (M1, M2)	M5 - ADVT960804CNA A	
61	0163F00008	MANIFOLD (M3, M4)	M6 - ADVT961005CNA A	
61	0163F00009	MANIFOLD (M5)	M7 - ADVT961205DNA A	
61	0163F00010	MANIFOLD (M6)		
61	0163F00011	MANIFOLD (M7)		
71	0163F00017	BECKETT BURNER (QTY 2)		
81	0121F00456	BRACKET-BURNER 2 (M1, M2)		
81	0121F00455	BRACKET-BURNER 3 (M3, M4)		
81	0121F00454	BRACKET-BURNER 4 (M5)		
81	0121F00453	BRACKET-BURNER 5 (M6)		
81	0121F00451	BRACKET-BURNER 6 (M7)		
111	0121F00469	ORIFICE BRACKET-BURNER 2 (M1, M2)		
111	0121F00468	ORIFICE BRACKET-BURNER 3 (M3, M4)		
111	0121F00467	ORIFICE BRACKET-BURNER 4 (M5)		
111	0121F00466	ORIFICE BRACKET-BURNER 5 (M6)		
111	0121F00465	ORIFICE BRACKET-BURNER 6 (M7)		
131	0161F00015	COVER, FRONT (M1, M2)		
131	0161F00030	COVER, FRONT (M5)		
131	0161F00054	COVER, FRONT (M3, M4)		
131	0161F00060	COVER, FRONT (M6)		
131	0161F00070	COVER, FRONT (M7)		
141	0154F00026	GASKET FRONT COVER (M1, M2, M3, M4)		
141	0154F00030	GASKET FRONT COVER (M5, M6)		
141	0154F00034	GASKET FRONT COVER (M7)		
151	0257F20068	HEAT EXCHANGER ASSY (M1, M2)		
151	0257F20069	HEAT EXCHANGER ASSY (M3, M4)		
151	0257F20070	HEAT EXCHANGER ASSY (M5)		
151	0257F20071	HEAT EXCHANGER ASSY (M6)		
151	0257F20072	HEAT EXCHANGER ASSY (M7)		
161	M0326804	TUBE PLUG		
171	0121F00539	SHEILD, BURNER (M1, M2)		
171	0121F00540	SHEILD, BURNER (M3, M4)		
171	0121F00541	SHEILD, BURNER (M5)		
171	0121F00542	SHEILD, BURNER (M6)		
171	0121F00543	SHEILD, BURNER (M7)		
181	0154F00043	GASKET ID BLOWER		
231	A1781105	CAP-VINYL .500		
261	0121F00317	COVER, REAR (M1, M2, M3, M4)		
261	0121F00318	COVER, REAR (M5, M6)		
261	0121F00319	COVER, REAR (M7)		
271	0154F00037	GASKET, REAR CVR (M1, M2, M3, M4)		
271	0154F00038	GASKET, REAR CVR (M5, M6)		
271	0154F00039	GASKET, REAR CVR (M7)		
371	0130F00035	LIMIT, PRIMARY (M3, M4)		
371	0130F00036	LIMIT, PRIMARY (M7)		
371	20162904	LIMIT, PRIMARY (M5)		
371	20162906	LIMIT, PRIMARY (M1, M2, M6)		
NS	0121F00583	INSULATION, RETAINER (M1, M2, M3, M4)		
NS	0121F00584	INSULATION, RETAINER (M5, M6)		