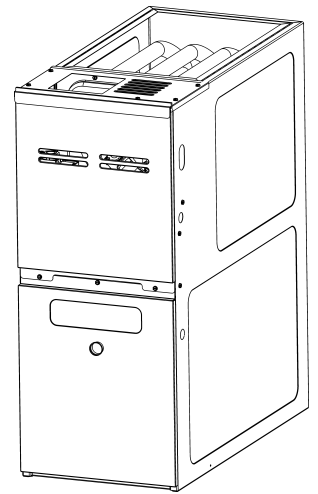


AR9T80 FER Up Flow Furnace

AR9T800403ANAA
AR9T800603BNAA
AR9T800603BXAA
AR9T800803BNAA
AR9T800803BXAA
AR9T800804BNAA
AR9T800804BXAA
AR9T800804CNAA
AR9T800804CXAA
AR9T800805CNAA
AR9T800805CXAA
AR9T800805DXAA
AR9T801005CNAA
AR9T801005CXAA



Amana® is a registered trademark of Maytag Corporation or its related companies and is used under license. All rights reserved.

This manual is to be used by qualified technicians only.

Important Information

Index

Functional Parts List	3
Illustration and Parts	4 - 9

Views shown are for parts illustrations only, not servicing procedures.

Text Codes:

AR - As Required

NA - Not Available

NS - Not Shown

00000000 - See Note

QTY - Quantity Example (QTY 3) (If Quantity not shown, Quantity = 1)

M - Model Example (M1) (If M Code not shown, then part is used on all Models)

Expanded Model Nomenclature:

Example
M1 - Model#1
M2 - Model#2
M3 - Model#3

Goodman Company, L.P. is not responsible for personal injury or property damage resulting from improper service. Review all service information before beginning repairs.

Warranty service must be performed by an authorized technician, using authorized factory parts. If service is required after the warranty expires, Goodman Company, L.P. also recommends contacting an authorized technician and using authorized factory parts.

Goodman Company, L.P. reserves the right to discontinue, or change at any time, specifications or designs without notice or without incurring obligations.

For assistance within the U.S.A. contact:

Homeowner Support
Goodman Company, L.P.
19001 Kermier Road
Waller, Texas 77484
877-254-4729-Telephone
713-863-2382-Facsimile

For assistance outside the U.S.A. contact:

International Division
Goodman Company, L.P.
19001 Kermier Road
Waller, Texas 77484
713-861-2500-Telephone
713-863-2382-Facsimile

Functional Parts

Part

No: Description:

0130F00794	AIR PRESSURE SWITCH (M8, M9)
0130F00791	AIR PRESSURE SWITCH (M6, M7, M13, M14)
0130F00795	AIR PRESSURE SWITCH (M1, M2, M3, M12)
0130F00792	AIR PRESSURE SWITCH (M4, M5, M10, M11)
0130F00010	FLAME SENSOR
0151M00027	GAS VALVE
10690402	INTERLOCK SWITCH
0130F00038	LIMIT, AUX
0130M00063	LIMIT, PRIMARY (M10, M11)
20162903	LIMIT, PRIMARY (M2, M3)
20162904	LIMIT, PRIMARY (M4, M5, M6, M7, M8, M9, M12)
20162906	LIMIT, PRIMARY (M1)
20162905	LIMIT, PRIMARY (M13, M14)
10123529	LIMIT-RESET MAN-GREEN (QTY 2)
0131F00334M	MOTOR 1 HP W/O CONTROLLER (M10, M11, M12, M13, M14)
0131F00332M	MOTOR 1/2 HP W/O CONTROLLER (M1, M2, M3, M4, M5)
0131F00333M	MOTOR 3/4 HP W/O CONTROLLER (M6, M7, M8, M9)
0131F00198	MOTOR PROGRAMMED (M8, M9)
0131F00194	MOTOR PROGRAMMED (M1)
0131F00195	MOTOR PROGRAMMED (M2, M3)
0131F00197	MOTOR PROGRAMMED (M6, M7)
0131F00199	MOTOR PROGRAMMED (M10, M11)
0131F00200	MOTOR PROGRAMMED (M12)
0131F00201	MOTOR PROGRAMMED (M13, M14)
0131F00196	MOTOR PROGRAMMED (M4, M5)
0131M00781P	MOTOR, VENT 2-STAGE
PCBBF302V010	PCB, CIRCUIT BOARD
0130F00008	SINI IGNITOR
0130M00140	TRANSFORMER,(120V TO 24V,40VA,

SPECIAL PARTS

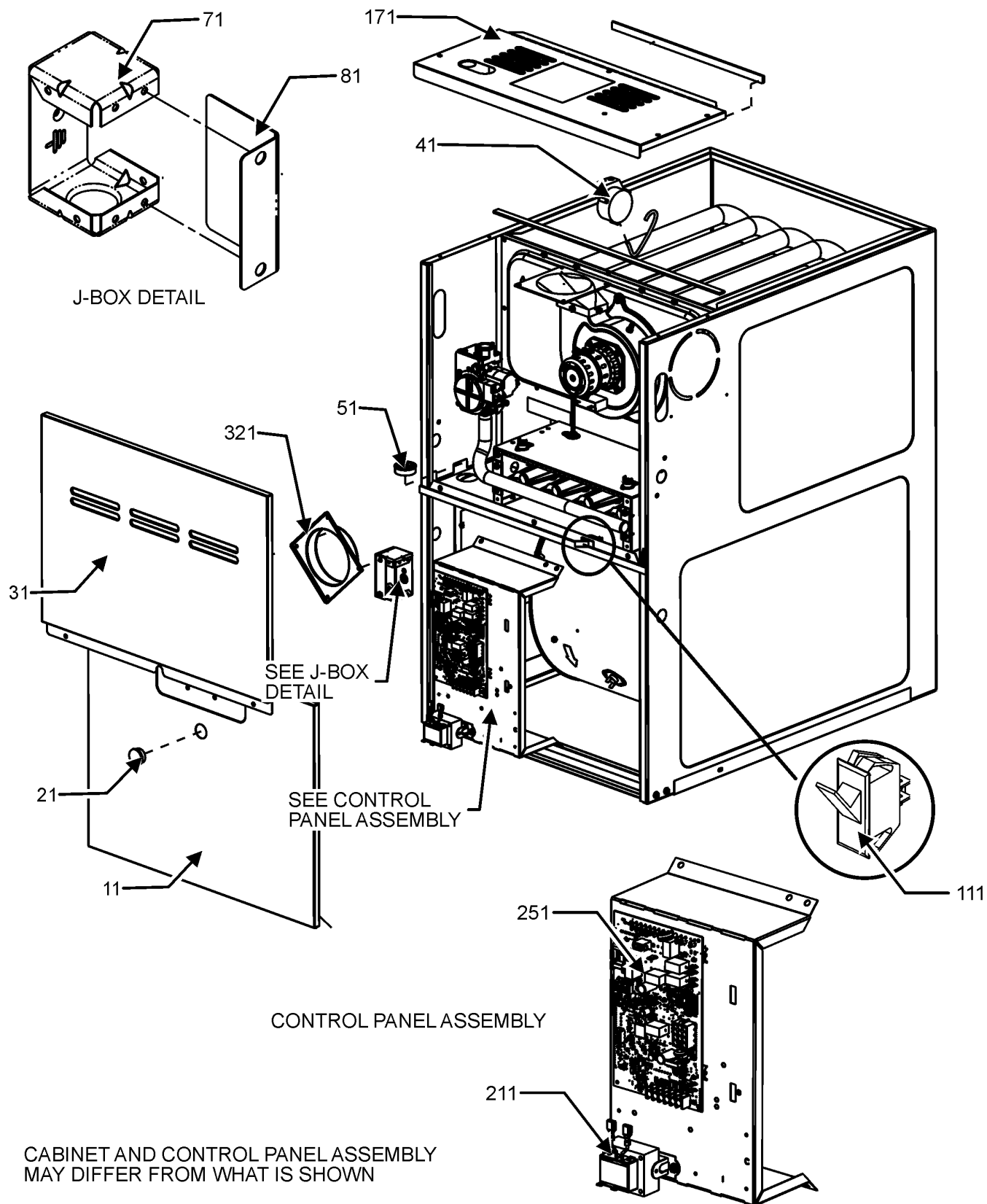
0161F00006 AMANA NAMEPLATE

Expanded Model Nomenclature

M1 - AR9T800403ANAA
M2 - AR9T800603BNAA
M3 - AR9T800603BXAA
M4 - AR9T800803BNAA
M5 - AR9T800803BXAA
M6 - AR9T800804BNAA
M7 - AR9T800804BXAA
M8 - AR9T800804CNAA
M9 - AR9T800804CXAA
M10 - AR9T800805CNAA
M11 - AR9T800805CXAA
M12 - AR9T800805DXAA
M13 - AR9T801005CNAA
M14 - AR9T801005CXAA

Cabinet and Control Panel Assembly

CABINET ASSEMBLY



Cabinet and Control Panel Assembly

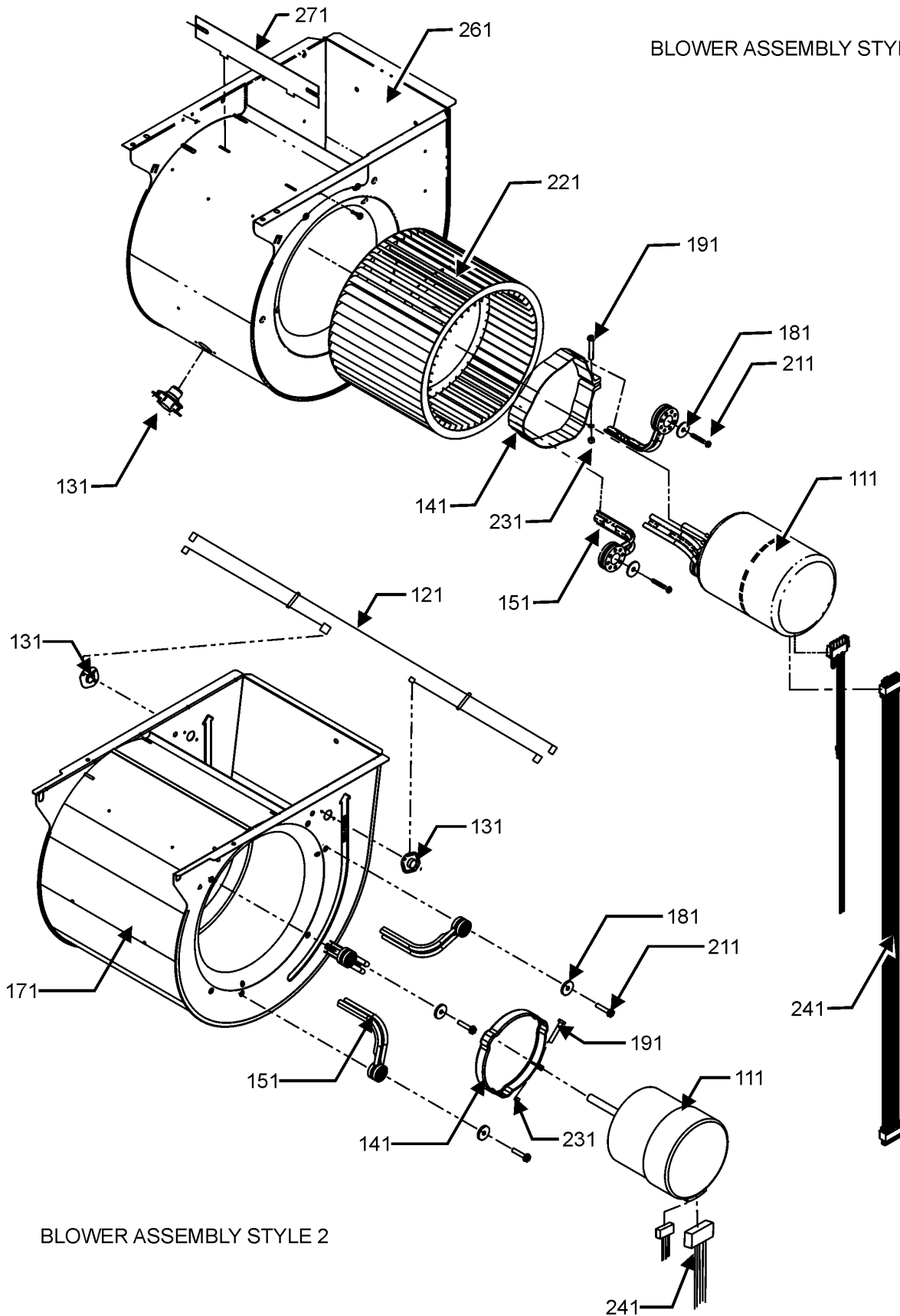
Ref. Part No:	No:	Description:	Ref. Part No:	No:	Description:
Image 1:					
11	0121F00122LG	DOOR, BLOWER, 14"-PAINTED (M1)			
11	0121F00123LG	DOOR, BLOWER, 17.5"-PAINTED (M2, M3, M4, M5, M6, M7)			
11	0121F00124LG	DOOR, BLOWER, 21"-PAINTED (M8, M9, M10, M11, M13, M14)			
11	0121F00125LG	DOOR, BLOWER, 24.5"-PAINTED (M12)			
21	B1392139	VIEW PORT BUSHING-BLOWER DOOR			
31	0121F20089LG	PNL, CONTROL ACCESS DOOR PNT (M1)			
31	0121F20091LG	PNL, CONTROL ACCESS DOOR PNT (M2, M3, M4, M5, M6, M7)			
31	0121F20092LG	PNL, CONTROL ACCESS DOOR PNT (M8, M9, M10, M11, M13, M14)			
31	0121F20094LG	PNL, CONTROL ACCESS DOOR PNT (M12)			
41	0130F00791	AIR PRESSURE SWITCH (M6, M7, M13, M14)			
41	0130F00792	AIR PRESSURE SWITCH (M4, M5, M10, M11)			
41	0130F00794	AIR PRESSURE SWITCH (M8, M9)			
41	0130F00795	AIR PRESSURE SWITCH (M1, M2, M3, M12)			
51	B1392147	UNIVERSAL BUSHING WITH SLICE			
71	0121F20061	BOX, JUNCTION 80%			
81	0121F20060	BOX, JUNCTION 90%			
111	10690402	INTERLOCK SWITCH			
171	0121F20090DG	PNL, FURNACE TOP PNT (M12)			
171	0121F20093DG	PNL, FURNACE TOP PNT (M8, M9, M10, M11, M13, M14)			
171	0121F20095DG	PNL, FURNACE TOP PNT (M1)			
171	0121F20096DG	PNL, FURNACE TOP PNT (M2, M3, M4, M5, M6, M7)			
211	0130M00140	TRANSFORMER,(120V TO 24V,40VA,			
251	PCBBF302V010	PCB, CIRCUIT BOARD			
321	4023500	CHIMNEY TRANSITION TOP			
NS	0161F00006	AMANA NAMEPLATE			
NS	0154F00041	GASKET FRESH AIR			

Expanded Model Nomenclature

- M1 - AR9T800403ANAA
- M2 - AR9T800603BNAA
- M3 - AR9T800603BXAA
- M4 - AR9T800803BNAA
- M5 - AR9T800803BXAA
- M6 - AR9T800804BNAA
- M7 - AR9T800804BXAA
- M8 - AR9T800804CNAA
- M9 - AR9T800804CXAA
- M10 - AR9T800805CNAA
- M11 - AR9T800805CXAA
- M12 - AR9T800805DXAA
- M13 - AR9T801005CNAA
- M14 - AR9T801005CXAA

Blower Assembly

BLOWER ASSEMBLY STYLE 1



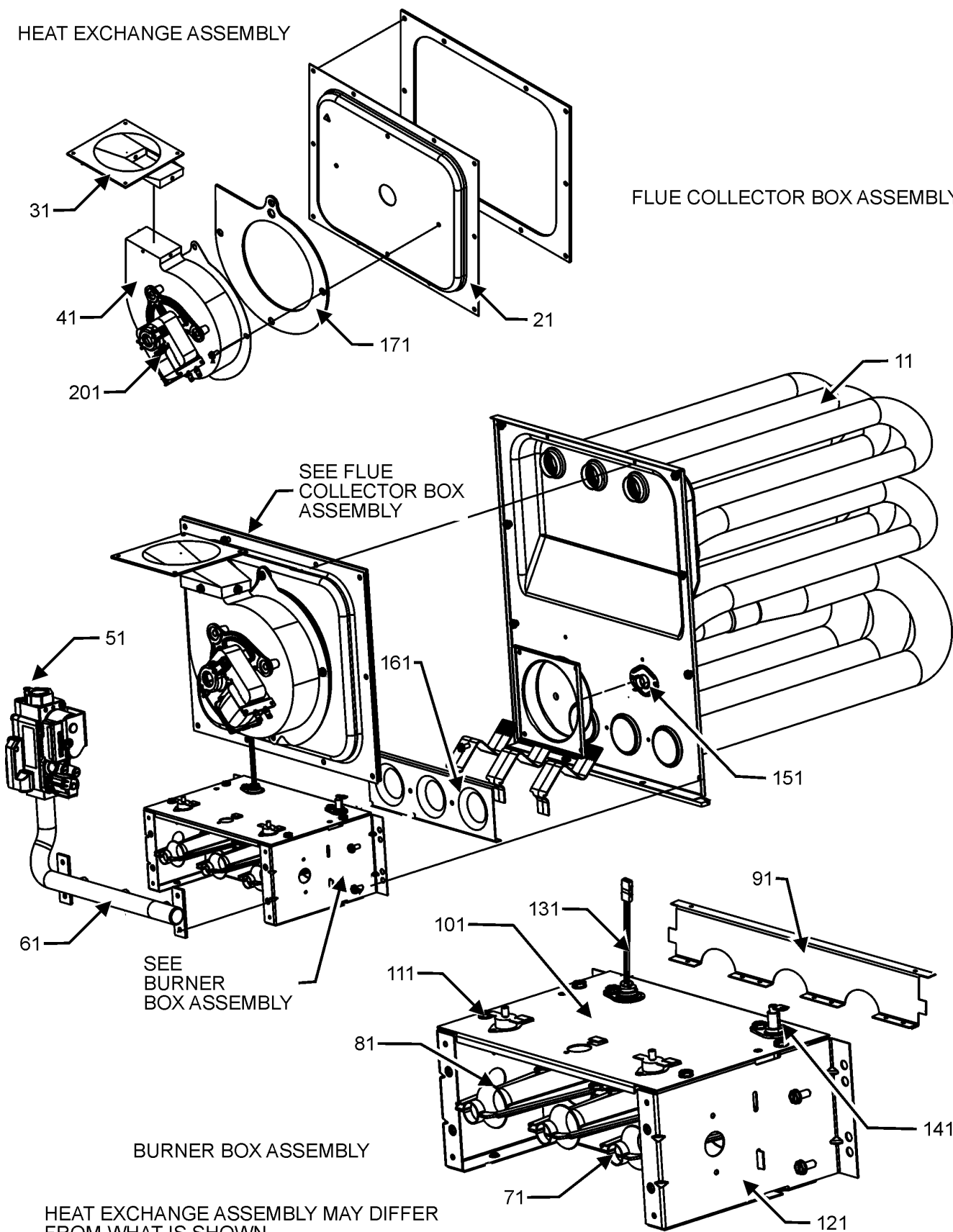
Blower Assembly

Ref. Part No:	No:	Description:	Ref. Part No:	No:	Description:
<i>Image 1:</i>			Expanded Model Nomenclature		
111	0131F00334M	MOTOR 1 HP W/O CONTROLLER (M10, M11, M12, M13, M14)	M1	-	AR9T800403ANAA
111	0131F00332M	MOTOR 1/2 HP W/O CONTROLLER (M1, M2, M3, M4, M5)	M2	-	AR9T800603BNAA
111	0131F00333M	MOTOR 3/4 HP W/O CONTROLLER (M6, M7, M8, M9)	M3	-	AR9T800603BXAA
111	0131F00194	MOTOR PROGRAMMED (M1)	M4	-	AR9T800803BNAA
111	0131F00195	MOTOR PROGRAMMED (M2, M3)	M5	-	AR9T800803BXAA
111	0131F00196	MOTOR PROGRAMMED (M4, M5)	M6	-	AR9T800804BNAA
111	0131F00197	MOTOR PROGRAMMED (M6, M7)	M7	-	AR9T800804BXAA
111	0131F00198	MOTOR PROGRAMMED (M8, M9)	M8	-	AR9T800804CNAA
111	0131F00199	MOTOR PROGRAMMED (M10, M11)	M9	-	AR9T800804CXAA
111	0131F00200	MOTOR PROGRAMMED (M12)	M10	-	AR9T800805CNAA
111	0131F00201	MOTOR PROGRAMMED (M13, M14)	M11	-	AR9T800805CXAA
121	0259F00024	WIRE HARNESS-BLOWER (M12)	M12	-	AR9T800805DXAA
131	0130F00038	LIMIT, AUX	M13	-	AR9T801005CNAA
141	0121M00039	MOTOR MOUNT BAND (HEAVY DUTY)	M14	-	AR9T801005CXAA
151	0163M00538	MOUNT ARM, MOTOR (QTY 3)			
171	0271F00303	BLOWER SHELL & WHEEL (M12)			
181	B1392918	WASHER, FLAT 1/4 ID X 1 OD (QTY 3)			
191	0163M00320	HEX HEAD ALL THREAD TAP BOLT			
211	M0250565	SCREW-TC 1.25" (QTY 3)			
221	0150M00042	WHEEL, BLOWER (10 X 10) (M8, M9, M10, M11, M13, M14)			
221	0150M00043	WHEEL, BLOWER (10 X 8) (M2, M3, M4, M5, M6, M7)			
221	0150M00061	WHEEL, BLOWER (M1)			
231	B1393800	LOCKNUT, NYLON INSERT 1/4 20			
241	0159F00160	CTM, MOTOR HARNESS			
261	2539307	BLWR SHL ASM 10X10 10X10 (M8, M9, M10, M11, M13, M14)			
261	2539305	BLWR SHL ASM 10X6 10X6 (M1)			
261	2539306	BLWR SHL ASM 10X8 10X8 (M2, M3, M4, M5, M6, M7)			
271	764741	BLWR BLK-OFF, 10X10 (M8, M9, M10, M11, M13, M14)			
271	764739	BLWR BLK-OFF, 10X6 (M1)			
271	764740	BLWR BLK-OFF, 10X8 (M2, M3, M4, M5, M6, M7)			

Heat Exchange Assembly

HEAT EXCHANGE ASSEMBLY

FLUE COLLECTOR BOX ASSEMBLY



Heat Exchange Assembly

Ref. Part No:	Ref. Part No:	Description:	Description:
Image 1:		Expanded Model Nomenclature	
11	0270F00931	HEAT EXCHANGER ASSY (M1)	M1 - AR9T800403ANAA
11	0270F00933	HEAT EXCHANGER ASSY (M2, M3)	M2 - AR9T800603BNAA
11	0270F00934	HEAT EXCHANGER ASSY (M4, M5, M6, M7)	M3 - AR9T800603BXAA
11	0270F00935	HEAT EXCHANGER ASSY (M8, M9, M10, M11)	M4 - AR9T800803BNAA
11	0270F00936	HEAT EXCHANGER ASSY (M13, M14)	M5 - AR9T800803BXAA
11	0270F03017	HEAT EXCHANGER ASSY (M12)	M6 - AR9T800804BNAA
21	0121F00328	17.5" COLLECTOR BOX 1.250" DIA (M2, M3)	M7 - AR9T800804BXAA
21	0121F00334	21" COLLECTOR BOX 1.625" DIA (M12)	M8 - AR9T800804CNAA
21	0121F00333	21" COLLECTOR BOX 1.75" DIA (M13, M14)	M9 - AR9T800804CXAA
21	0121F00336	21" FLUE COLLECTOR BOX 1.50" (M10, M11)	M10 - AR9T800805CNAA
21	0121F00655	COLLECTOR BOX 17.5" 1.437 DIA (M4, M5, M6, M7)	M11 - AR9T800805CXAA
21	0121F00659	COLLECTOR BOX 21" 1.40 DIA (M8, M9)	M12 - AR9T800805DXAA
21	0121F00783	COLLECTOR BOX, 14" (M1)	M13 - AR9T801005CNAA
31	0128F00006	TRANSITION, BOTTOM	M14 - AR9T801005CXAA
41	0131M00781P	MOTOR, VENT 2-STAGE	
51	0151M00027	GAS VALVE	
61	0120F00006	MANIFOLD (M1)	
61	0120F00007	MANIFOLD (M2, M3)	
61	0120F00008	MANIFOLD (M4, M5, M6, M7, M8, M9, M10, M11, M12)	
61	0120F00009	MANIFOLD (M13, M14)	
71	10716005	ORIFICE (QTY 2)	
81	B4022700	INSHOT BURNER ASSY 3" (QTY 2)	
91	0121F00167	BURNER RACK, 2 CELL (M1)	
91	0121F00168	BURNER RACK, 3 CELL (M2, M3)	
91	0121F00169	BURNER RACK, 4 CELL (M4, M5, M6, M7, M8, M9, M10, M11, M12)	
91	0121F00170	BURNER RACK, 5 CELL (M13, M14)	
101	0121F00162	TOP, BURNER BOX 2 CELL (M1)	
101	0121F00759	TOP, BURNER BOX 3 CELL (M2, M3)	
101	0121F00760	TOP, BURNER BOX 4 CELL (M4, M5, M6, M7, M8, M9, M10, M11, M12)	
101	0121F00761	TOP, BURNER BOX 5 CELL (M13, M14)	
111	10123529	LIMIT-RESET MAN-GREEN (QTY 2)	
121	0121F00146	SIDE PLATE-BURNER BOX (QTY 2)	
131	0130F00008	SINI IGNITOR	
141	0130F00010	FLAME SENSOR	
151	0130M00063	LIMIT, PRIMARY (M10, M11)	
151	20162903	LIMIT, PRIMARY (M2, M3)	
151	20162904	LIMIT, PRIMARY (M4, M5, M6, M7, M8, M9, M12)	
151	20162905	LIMIT, PRIMARY (M13, M14)	
151	20162906	LIMIT, PRIMARY (M1)	
161	4028000	ORIFICE PLATE, 2CELL (M1)	
161	4028001	ORIFICE PLATE, 3CELL (M2, M3)	
161	4028002	ORIFICE PLATE, 4 CELL (M4, M5, M6, M7, M8, M9, M10, M11, M12)	
161	4028003	ORIFICE PLATE, 5CELL (M13, M14)	
171	0154F00003	GASKET-14 INCH (M1)	
171	0154F00004	GASKET-17.5 INCH (M2, M3, M4, M5, M6, M7)	
171	0154F00005	GASKET-21 INCH (M8, M9, M10, M11, M12, M13, M14)	
201	DY6.186.070	VENT MOTOR CAPACITOR	
NS	0259F00062	INDUCER HARNESS ASSY	
NS	0159F20005	WIRE HARNESS	