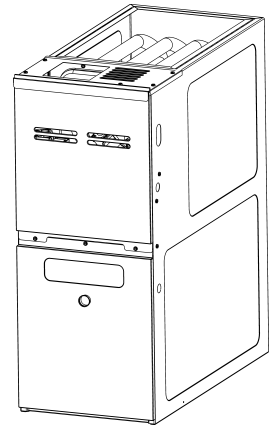


AD9S80 FER Counter Flow Furnace

AD9S800403ANAA
AD9S800403AXAA
AD9S800603ANAA
AD9S800603AXAA
AD9S800804BXAA
AD9S800805CXAA
AD9S801005CXAA



Amana® is a registered trademark of Maytag Corporation or its related companies and is used under license. All rights reserved.

This manual is to be used by qualified technicians only.

© 2024 Goodman Company, L.P. ♦ 19001 Kermier Rd. ♦ Waller, TX 77484

Important Information

Index

Functional Parts List	3
Illustration and Parts	4 - 9

Views shown are for parts illustrations only, not servicing procedures.

Text Codes:

AR - As Required

NA - Not Available

NS - Not Shown

00000000 - See Note

QTY - Quantity Example (QTY 3) (If Quantity not shown, Quantity = 1)

M - Model Example (M1) (If M Code not shown, then part is used on all Models)

Expanded Model Nomenclature:

Example
M1 - Model#1
M2 - Model#2
M3 - Model#3

Goodman Company, L.P. is not responsible for personal injury or property damage resulting from improper service. Review all service information before beginning repairs.

Warranty service must be performed by an authorized technician, using authorized factory parts. If service is required after the warranty expires, Goodman Company, L.P. also recommends contacting an authorized technician and using authorized factory parts.

Goodman Company, L.P. reserves the right to discontinue, or change at any time, specifications or designs without notice or without incurring obligations.

For assistance within the U.S.A. contact:

Homeowner Support
Goodman Company, L.P.
19001 Kermier Road
Waller, Texas 77484
877-254-4729-Telephone
713-863-2382-Facsimile

For assistance outside the U.S.A. contact:

International Division
Goodman Company, L.P.
19001 Kermier Road
Waller, Texas 77484
713-861-2500-Telephone
713-863-2382-Facsimile

Functional Parts

Part

No: **Description:**

PCBBF301V007	CIRCUIT BOARD, FURNACE
0130F00010	FLAME SENSOR
0151M00105	GAS VALVE
10690402	INTERLOCK SWITCH
0130F00038	LIMIT, AUX
20162901	LIMIT, PRIMARY (M7)
0130F00036	LIMIT, PRIMARY (M1, M2, M3, M4, M5)
20162903	LIMIT, PRIMARY (M6)
10123529	LIMIT-RESET MAN-GREEN
0131F00334M	MOTOR 1 HP W/O CONTROLLER (M6, M7)
0131F00332M	MOTOR 1/2 HP W/O CONTROLLER (M1, M2, M3, M4)
0131F00333M	MOTOR 3/4 HP W/O CONTROLLER (M5)
0131F00244	MOTOR PROGRAMMED (M6)
0131F00241	MOTOR PROGRAMMED (M1, M2)
0131F00243	MOTOR PROGRAMMED (M5)
0131F00245	MOTOR PROGRAMMED (M7)
0131F00242	MOTOR PROGRAMMED (M3, M4)
0131M00002P	MOTOR, VENT 80+
0130F00008	SINI IGNITOR
0130F00504	SWITCH, PRESSURE (M1, M2, M3, M4, M5, M6)
0130F00507	SWITCH, PRESSURE (M7)
0130M00140	TRANSFORMER,(120V TO 24V,40VA,

SPECIAL PARTS

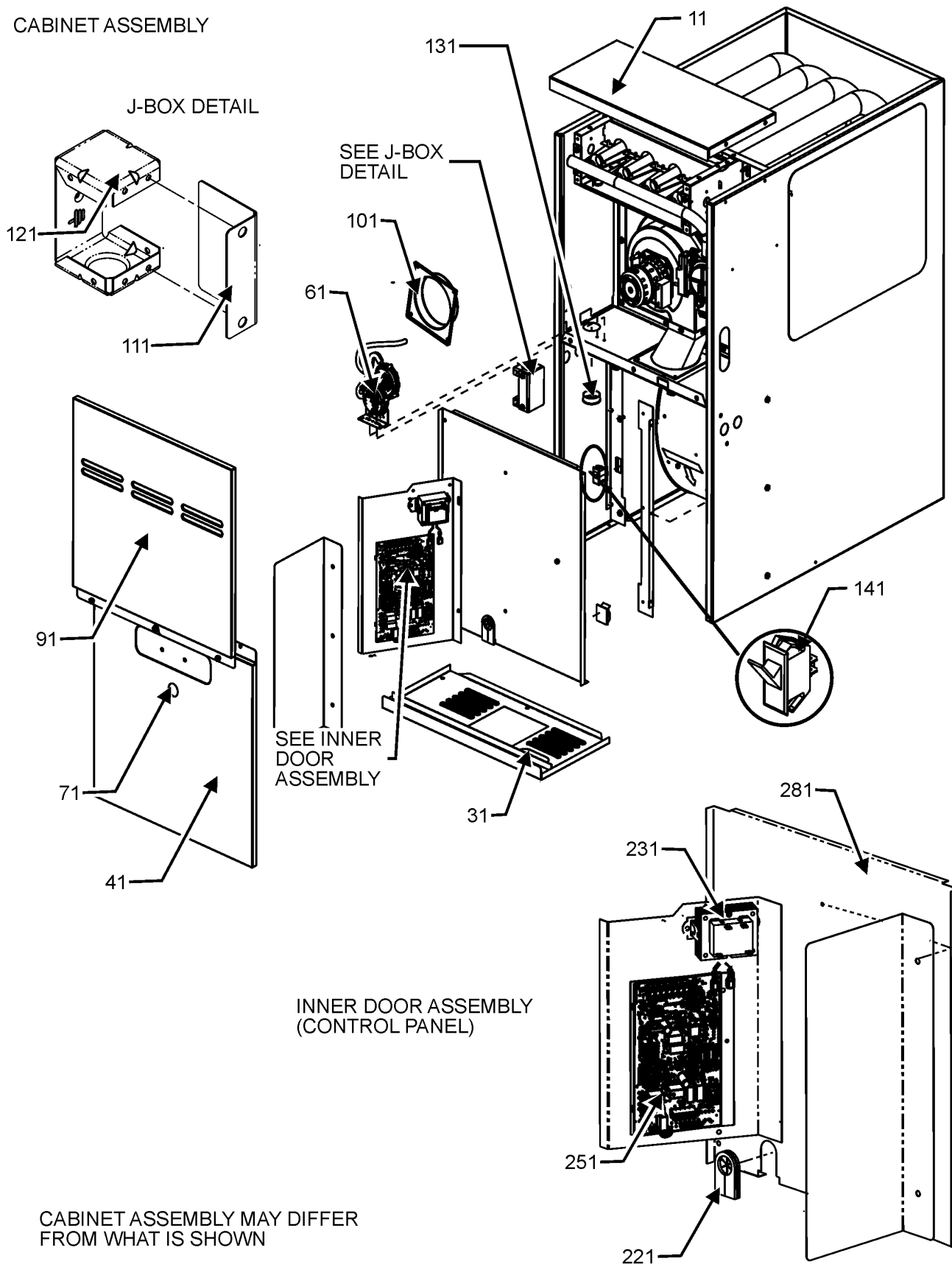
0161F00006 NAMEPLATE, AMANA

Expanded Model Nomenclature

M1 - AD9S800403ANAA
M2 - AD9S800403AXAA
M3 - AD9S800603ANAA
M4 - AD9S800603AXAA
M5 - AD9S800804BXAA
M6 - AD9S800805CXAA
M7 - AD9S801005CXAA

Cabinet Assembly

CABINET ASSEMBLY



CABINET ASSEMBLY MAY DIFFER FROM WHAT IS SHOWN

Cabinet Assembly

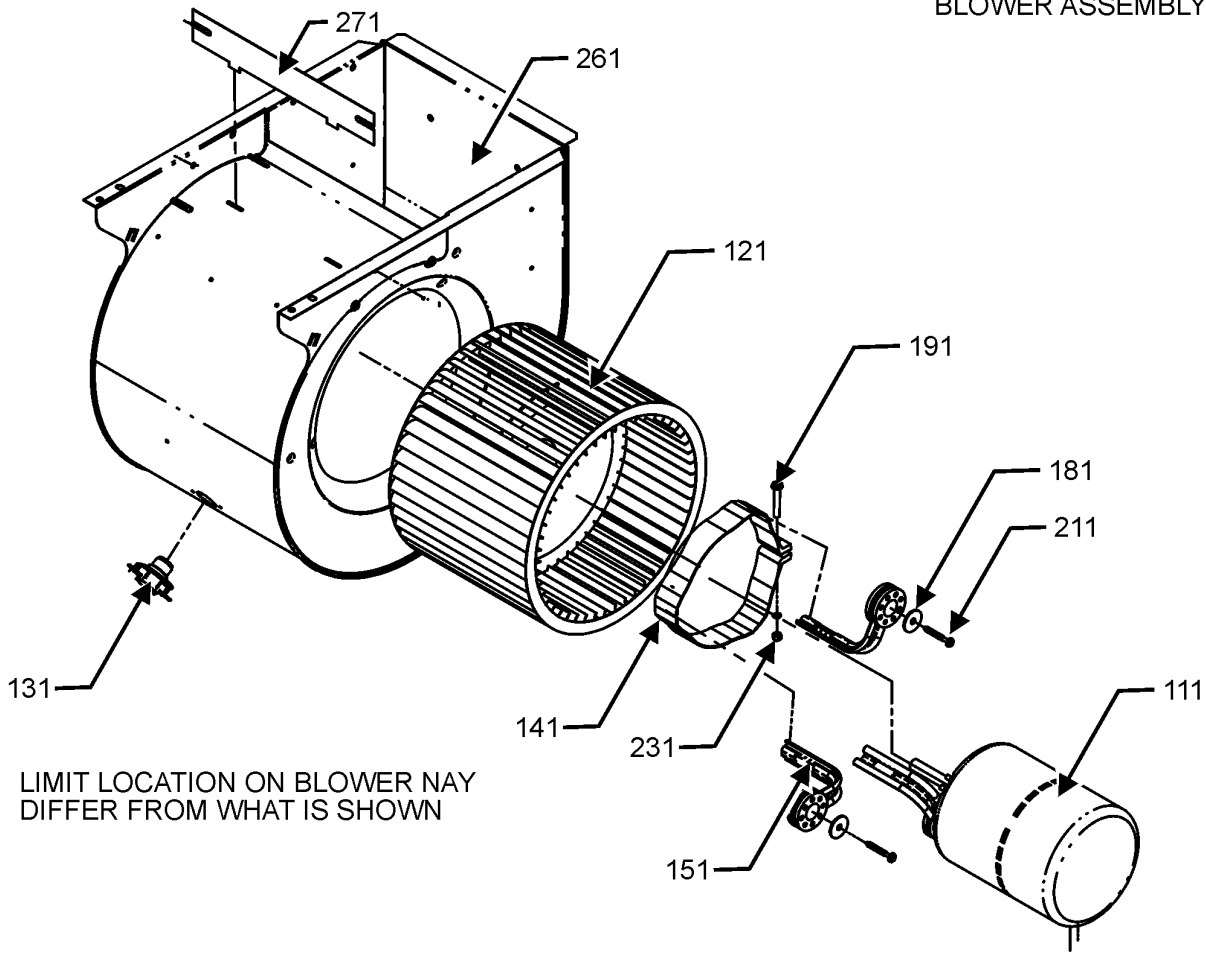
Ref. Part No:	Ref. Part No:	Description:	Description:
Image 1:			
11	0121F00183DG	PAINTED 14" FURNACE BOTTOM (M1, M2, M3, M4)	
11	0121F00829DG	PAINTED FURNACE BOTTOM (M5)	
11	0121F00830DG	PAINTED FURNACE BOTTOM (M6, M7)	
31	0121F20093DG	PNL, FURNACE TOP PNT (M6, M7)	
31	0121F20095DG	PNL, FURNACE TOP PNT (M1, M2, M3, M4)	
31	0121F20096DG	PNL, FURNACE TOP PNT (M5)	
41	0121F00122LG	DOOR, BLOWER, 14"-PAINTED (M1, M2, M3, M4)	
41	0121F00123LG	DOOR, BLOWER, 17.5" PAINTED (M5)	
41	0121F00124LG	DOOR, BLOWER, 21"-PAINTED (M6, M7)	
61	0130F00504	SWITCH, PRESSURE (M1, M2, M3, M4, M5, M6)	
61	0130F00507	SWITCH, PRESSURE (M7)	
71	B1392139	VIEW PORT BUSHING CLEAR	
91	0121F20089LG	PNL, CONTROL ACCESS DOOR PNT (M1, M2, M3, M4)	
91	0121F20091LG	PNL, CONTROL ACCESS DOOR PNT (M5)	
91	0121F20092LG	PNL, CONTROL ACCESS DOOR PNT (M6, M7)	
101	4023500	CHIMNEY TRANSITION TOP	
111	0121F20061	BOX, JUNCTION 80%	
121	0121F20060	BOX, JUNCTION 90%	
131	0163F00001	UNIVERSAL BUSHING WITH SLICE	
141	10690402	INTERLOCK SWITCH	
221	20477501	GROMMET-HORSESHOE	
231	0130M00140	TRANSFORMER, (120V TO 24V, 40VA,	
251	PCBBF301V007	CIRCUIT BOARD, FURNACE	
281	0121F20138	PLN, INNER DOOR (M1, M2, M3, M4)	
281	0121F20007	PNL, INNER DOOR 17.5" (M5)	
281	0121F20009	PNL, INNER DOOR 21" (M6, M7)	
NS	0154F00041	GASKET FRESH AIR	
NS	0161F00006	NAMEPLATE, AMANA	

Expanded Model Nomenclature

- M1 - AD9S800403ANAA
- M2 - AD9S800403AXAA
- M3 - AD9S800603ANAA
- M4 - AD9S800603AXAA
- M5 - AD9S800804BXAA
- M6 - AD9S800805CXAA
- M7 - AD9S801005CXAA

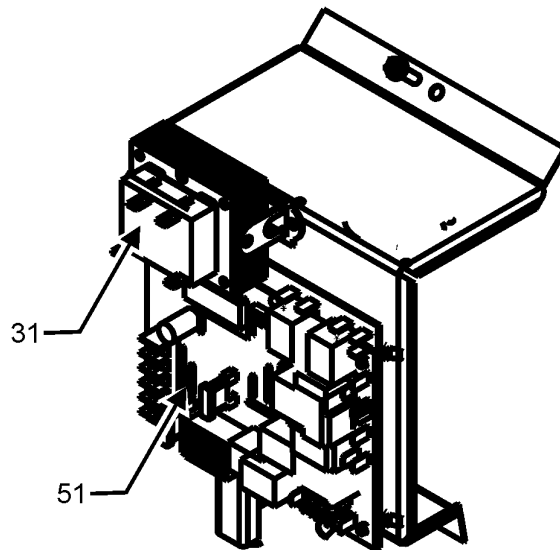
Blower and Circuit Board Assembly

BLOWER ASSEMBLY



LIMIT LOCATION ON BLOWER MAY DIFFER FROM WHAT IS SHOWN

BOARD ASSEMBLY ON BLOWER



BLOWER AND BOARD ASSEMBLY MAY DIFFER FROM WHAT IS SHOWN

Blower and Circuit Board Assembly

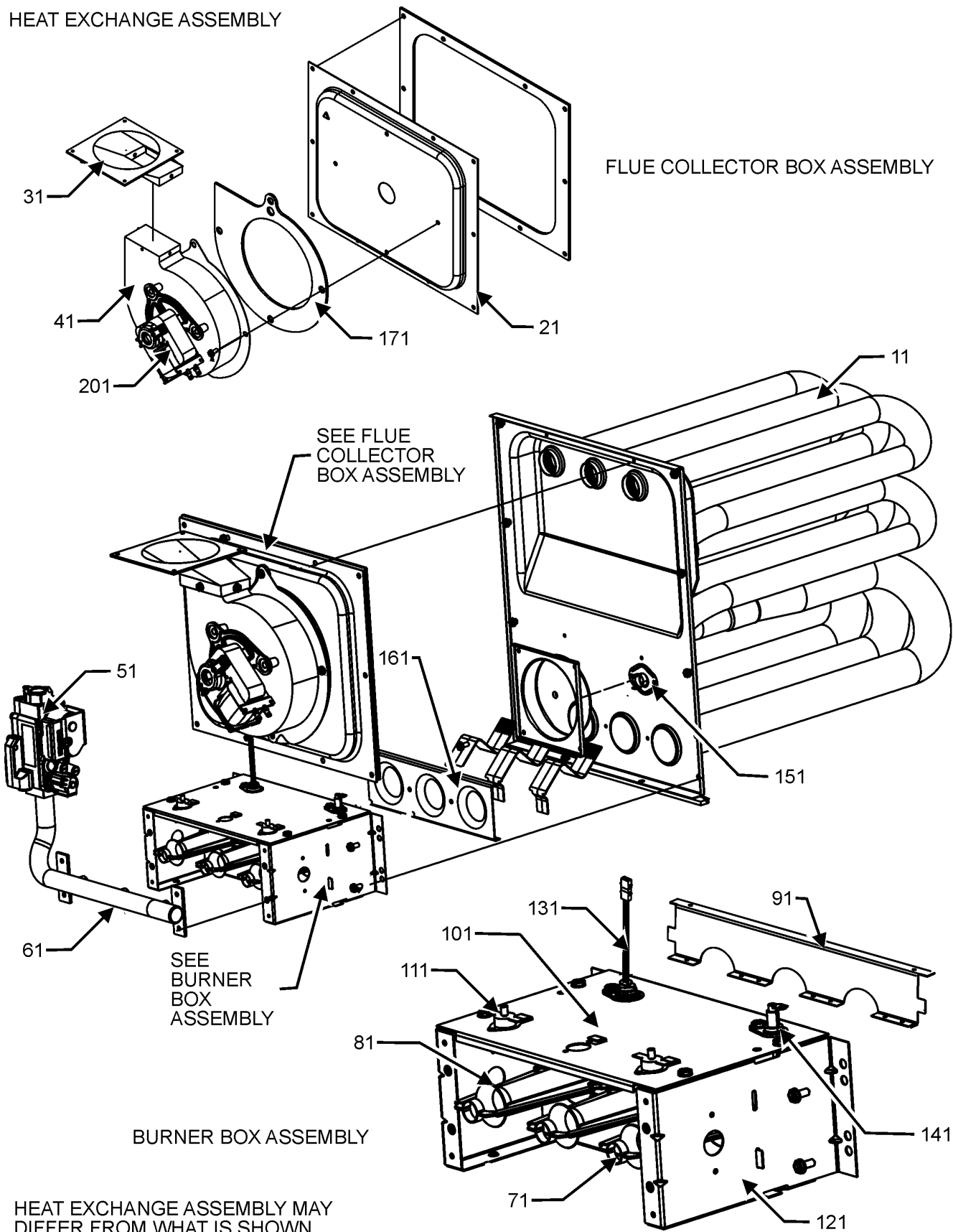
Ref. Part No:	Ref. Part No:	Description:	Description:
Image 1:			
31	0130M00140	TRANSFORMER,(120V TO 24V,40VA,	
51	PCBBF301V007	CIRCUIT BOARD, FURNACE	
111	0131F00334M	MOTOR 1 HP W/O CONTROLLER (M6, M7)	
111	0131F00332M	MOTOR 1/2 HP W/O CONTROLLER (M1, M2, M3, M4)	
111	0131F00333M	MOTOR 3/4 HP W/O CONTROLLER (M5)	
111	0131F00241	MOTOR PROGRAMMED (M1, M2)	
111	0131F00242	MOTOR PROGRAMMED (M3, M4)	
111	0131F00243	MOTOR PROGRAMMED (M5)	
111	0131F00244	MOTOR PROGRAMMED (M6)	
111	0131F00245	MOTOR PROGRAMMED (M7)	
121	0150M00042	WHEEL, BLOWER (10 X 10) (M6, M7)	
121	0150M00043	WHEEL, BLOWER (10 X 8) (M5)	
121	0150M00061	WHEEL,BLOWER (M1, M2, M3, M4)	
131	0130F00038	LIMIT, AUX	
141	0121M00039	MOUNT BAND, MOTOR (HEAVY DUTY)	
141	0121M00039	MOUNT BAND, MOTOR (HEAVY DUTY)	
151	0163M00538	MOUNT ARM, MOTOR (QTY 3)	
181	B1392918	WASHER, FLAT 1/4 ID X 1 OD (QTY 3)	
191	0163M00320	HEX HEAD ALL THREAD TAP BOLT	
211	M0250565	SCREW-TC 1.25" (QTY 3)	
211	M0250565	SCREW-TC 1.25" (QTY 3)	
231	B1393800	LOCKNUT, NYLON INSERT 1/4 20	
261	2539307	BLWR SHL ASM 10X10 10X10 (M6, M7)	
261	2539305	BLWR SHL ASM 10X6 10X6 (M1, M2, M3, M4)	
261	2539306	BLWR SHL ASM 10X8 10X8 (M5)	
271	764741	BLWR BLK-OFF,10X10 (M6, M7)	
271	764739	BLWR BLK-OFF,10X6 (M1, M2, M3, M4)	
271	764740	BLWR BLK-OFF,10X8 (M5)	
NS	0159F00119	CTM,MOTOR HARNESS	
NS	0159F00163	SINGLE STAGE CF WIRE HARNESS (M1, M2)	
NS	0159F00164	SINGLE STAGE CF WIRE HARNESS (M3, M4, M5, M6, M7)	

Expanded Model Nomenclature

M1 - AD9S800403ANAA
M2 - AD9S800403AXAA
M3 - AD9S800603ANAA
M4 - AD9S800603AXAA
M5 - AD9S800804BXAA
M6 - AD9S800805CXAA
M7 - AD9S801005CXAA

Heat Exchange Assembly

HEAT EXCHANGE ASSEMBLY



Heat Exchange Assembly

Ref. Part No:	Ref. Part No:	Description:	Description:
Image 1:			
11	0270F03529	HEAT EXCHANGER ASSY (M1, M2)	
11	0270F03530	HEAT EXCHANGER ASSY (M3, M4)	
11	0270F03532	HEAT EXCHANGER ASSY (M5)	
11	0270F03533	HEAT EXCHANGER ASSY (M6)	
11	0270F03534	HEAT EXCHANGER ASSY (M7)	
21	0121F00327	14" COLLECTOR BOX 1.125" DIA (M1, M2)	
21	0121F00364	14" FLUE COLLECTOR BOX 1.5"DIA (M3, M4)	
21	0121F00365	21" COLLECTOR BOX 1.437" DIA. (M6)	
21	0121F00334	21" COLLECTOR BOX 1.625" DIA (M7)	
21	0121F00128	COLLECTOR BOX 17.5" 1.75 DIA (M5)	
31	0128F00006	TRANSITION, BOTTOM	
41	0131M00002P	MOTOR, VENT 80+	
51	0151M00105	GAS VALVE	
61	0120F00006	MANIFOLD (M1, M2)	
61	0120F00007	MANIFOLD (M3, M4)	
61	0120F00008	MANIFOLD (M5, M6)	
61	0120F00009	MANIFOLD (M7)	
71	10716005	ORIFICE (QTY 2)	
81	B4022700	INSHOT BURNER ASSY 3" (QTY 2)	
91	0121F00167	BURNER RACK, 2 CELL (M1, M2)	
91	0121F00168	BURNER RACK, 3 CELL (M3, M4)	
91	0121F00169	BURNER RACK, 4 CELL (M5, M6)	
91	0121F00170	BURNER RACK, 5 CELL (M7)	
101	0121F00162	TOP, BURNER BOX 2 CELL (M1, M2)	
101	0121F00759	TOP, BURNER BOX 3 CELL (M3, M4)	
101	0121F00760	TOP, BURNER BOX 4 CELL (M5, M6)	
101	0121F00761	TOP, BURNER BOX 5 CELL (M7)	
111	10123529	LIMIT-RESET MAN-GREEN	
121	0121F00146	BURNER BOX SIDE (QTY 2)	
131	0130F00008	SINI IGNITOR	
141	0130F00010	FLAME SENSOR	
151	0130F00036	LIMIT, PRIMARY (M1, M2, M3, M4, M5)	
151	20162901	LIMIT, PRIMARY (M7)	
151	20162903	LIMIT, PRIMARY (M6)	
161	4028000	ORIFICE PLATE, 2CELL (M1, M2)	
161	4028001	ORIFICE PLATE, 3CELL (M3, M4)	
161	4028002	ORIFICE PLATE, 4 CELL (M5, M6)	
161	4028003	ORIFICE PLATE, 5CELL (M7)	
171	0154F00003	GASKET-14 INCH (M1, M2, M3, M4)	
171	0154F00004	GASKET-17.5 INCH (M5)	
171	0154F00005	GASKET-21 INCH (M6, M7)	
201	DY6.186.070	VENT MOTOR CAPACITOR	
NS	0259F00302	WIRE HARNESS ASSY IGNITOR	

Expanded Model Nomenclature

M1 - AD9S800403ANAA
M2 - AD9S800403AXAA
M3 - AD9S800603ANAA
M4 - AD9S800603AXAA
M5 - AD9S800804BXAA
M6 - AD9S800805CXAA
M7 - AD9S801005CXAA