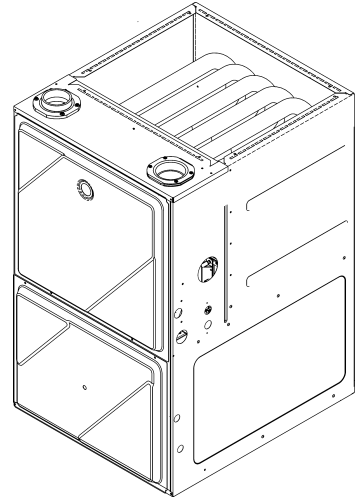


## AM9S 92% FER Up Flow Furnace

AM9S920403ANAA  
AM9S920403ANAB  
AM9S920603BNAA  
AM9S920603BNAB  
AM9S920803BNAA  
AM9S920803BNAB  
AM9S920804CNAA  
AM9S920804CNAB  
AM9S920805CNAA  
AM9S920805CNAB  
AM9S921004CNAA  
AM9S921004CNAB  
AM9S921005CNAA  
AM9S921005CNAB  
AM9S921205DNAA  
AM9S921205DNAB



Amana® is a registered trademark of Maytag Corporation or its related companies and is used under license. All rights reserved.

This manual is to be used by qualified technicians only.

This manual replaces RP-A2344

© 2021 , 2023 Goodman Company, L.P. ♦ 19001 Kermier Rd. ♦ Waller, TX 77484

# Important Information

---

## Index

Functional Parts List .....	3
Illustration and Parts .....	4 - 11

*Views shown are for parts illustrations only, not servicing procedures.*

### Text Codes:

AR - As Required

NA - Not Available

NS - Not Shown

00000000 - See Note

QTY - Quantity Example (QTY 3) (If Quantity not shown, Quantity = 1)

M - Model Example (M1) (If M Code not shown, then part is used on all Models)

### Expanded Model Nomenclature:

Example M1 - Model#1 M2 - Model#2 M3 - Model#3
---

Goodman Company, L.P. is not responsible for personal injury or property damage resulting from improper service. Review all service information before beginning repairs.

Warranty service must be performed by an authorized technician, using authorized factory parts. If service is required after the warranty expires, Goodman Company, L.P. also recommends contacting an authorized technician and using authorized factory parts.

Goodman Company, L.P. reserves the right to discontinue, or change at any time, specifications or designs without notice or without incurring obligations.

For assistance within the U.S.A. contact:

Homeowner Support  
Goodman Company, L.P.  
19001 Kermier Road  
Waller, Texas 77484  
877-254-4729-Telephone  
713-863-2382-Facsimile

For assistance outside the U.S.A. contact:

International Division  
Goodman Company, L.P.  
19001 Kermier Road  
Waller, Texas 77484  
713-861-2500-Telephone  
713-863-2382-Facsimile

# Functional Parts

**Part No:**            **Description:**

PCBBF166	1 STAGE IFC (M2, M4, M6, M8, M10, M12, M14, M16)
0163F00017	BECKETT BURNER (QTY 2)
0271F00463	BLOWER HOUSING ASSY (M7, M8, M11, M12)
0271F00462	BLOWER HOUSING ASSY (M3, M4, M5, M6)
0271F00323	BLOWER HSG ASSY (M1, M2)
PCBBF163	CIRCUIT BOARD, FURNACE (M1, M3, M5, M7, M9, M11, M13, M15)
0131F00114M	CONTROLLERLESS MOTOR (M9, M10, M13, M14, M15, M16)
0131F00113M	CONTROLLERLESS MOTOR (M7, M8, M11, M12)
0131F00112M	CONTROLLERLESS MOTOR (M1, M2, M3, M4, M5, M6)
0130F00010	FLAME SENSOR
0151M00037	GAS VALVE
0257F00414	HEAT EXCHANGER ASSY (M1, M2)
0257F00339	HEAT EXCHANGER ASSY. (M5, M6)
0257F00340	HEAT EXCHANGER ASSY. (M7, M8, M9, M10)
0257F00268	HEAT EXCHANGER ASSY. (M3, M4)
0257F00346	HEAT EXCHANGER ASSY. (M11, M12, M13, M14)
0257F00347	HEAT EXCHANGER ASSY. (M15, M16)
0130F00008	IGNITOR-SINI 17 SEC
0130M00243	INTERLOCK SWITCH
20162906	LIMIT, PRIMARY (M5, M6)
20162904	LIMIT, PRIMARY (M15, M16)
20162903	LIMIT, PRIMARY (M1, M2, M9, M10, M11, M12)
20162907	LIMIT, PRIMARY (M13, M14)
0130F00038	LIMIT, PRIMARY, 120, LT BLUE (QTY 2)
0130F00036	LIMIT, PRIMARY, 180, PINK (M3, M4, M7, M8)
0130F00123	LIMIT, RESET MAN (M3, M4)
10123538	LIMIT-MAN-TAN (M1, M2)
10123529	LIMIT-RESET MAN-GREEN (M15, M16)
10123534	LIMIT-RESET MAN-ORANGE (M7, M8)
10123539	LIMIT-RESET MAN-ORANGE (M5, M6, M9, M10, M11, M12, M13, M14)
0131F00261	MOTOR PROGRAMMED (M1, M2)
0131F00268	MOTOR PROGRAMMED (M15, M16)
0131F00267	MOTOR PROGRAMMED (M13, M14)
0131F00266	MOTOR PROGRAMMED (M11, M12)
0131F00265	MOTOR PROGRAMMED (M9, M10)
0131F00264	MOTOR PROGRAMMED (M7, M8)
0131F00263	MOTOR PROGRAMMED (M5, M6)
0131F00262	MOTOR PROGRAMMED (M3, M4)
0171M00008	MOTOR, ID BLOWER (M1, M2)
0171M00001	MOTOR-ID, BLOWER (M3, M4, M5, M6, M7, M8, M9, M10, M11, M12, M13, M14, M15, M16)
0130F00641	PRESSURE SWITCH (M1, M2)
0130F00441	SWITCH, PRESSURE (M5, M6, M11, M12, M13, M14)
0130F00442	SWITCH, PRESSURE (M3, M4, M7, M8, M9, M10, M15, M16)
0130M00140	TRANSFORMER 120V TO 24V, 40VA
0150M00042	WHEEL, BLOWER (10 X 10) (M7, M8, M11, M12)
0150M00043	WHEEL, BLOWER (10 X 8) (M3, M4, M5, M6)
0150M00061	WHEEL,BLOWER (M1, M2)

**SPECIAL PARTS**

0161M00032            NAMEPLATE, AMANA

**Expanded Model Nomenclature**

M1 - AM9S920403ANAA
M2 - AM9S920403ANAB
M3 - AM9S920603BNAA
M4 - AM9S920603BNAB
M5 - AM9S920803BNAA
M6 - AM9S920803BNAB
M7 - AM9S920804CNAA
M8 - AM9S920804CNAB
M9 - AM9S920805CNAA
M10 - AM9S920805CNAB
M11 - AM9S921004CNAA
M12 - AM9S921004CNAB
M13 - AM9S921005CNAA
M14 - AM9S921005CNAB
M15 - AM9S921205DNAA
M16 - AM9S921205DNAB

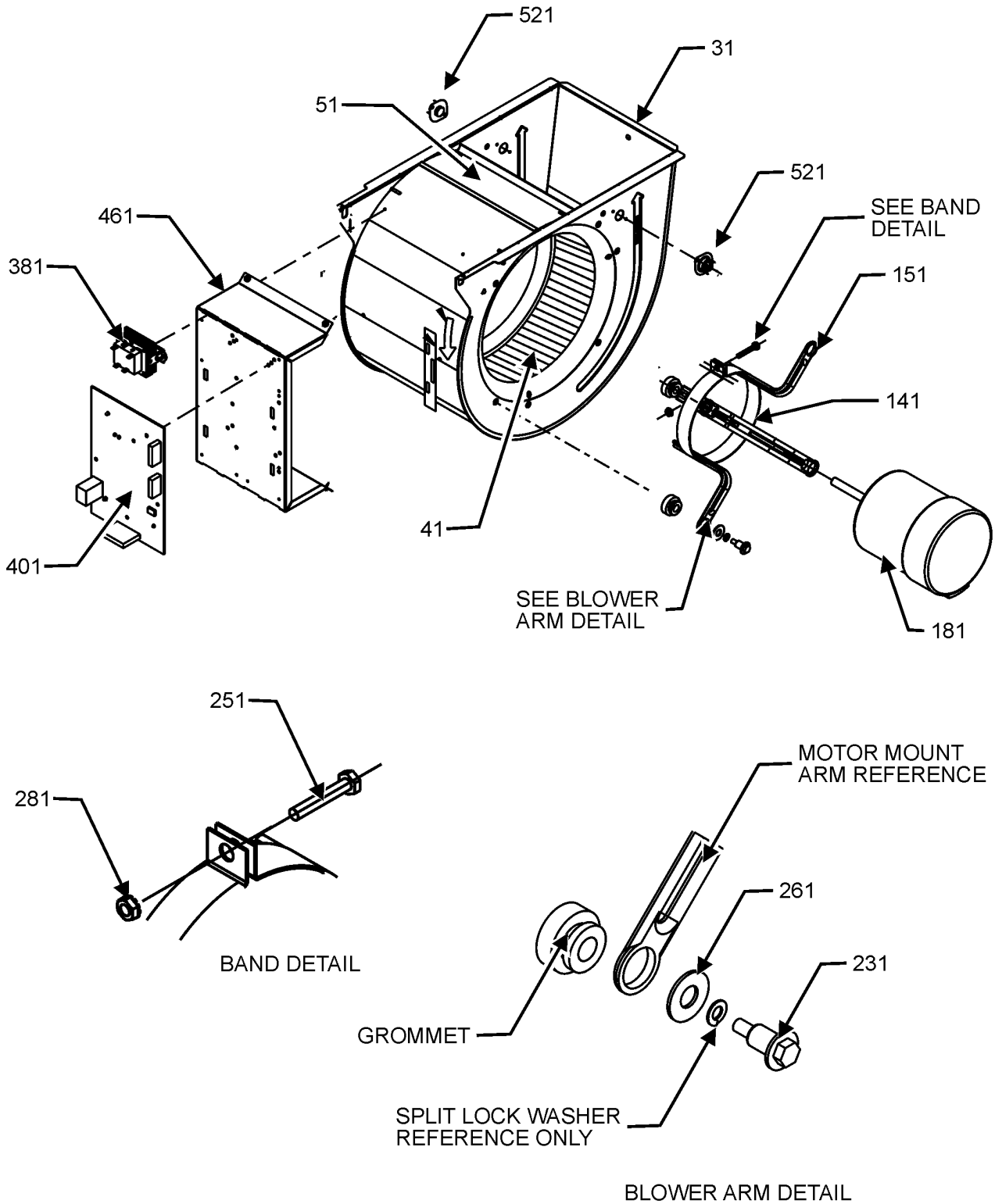


# Cabinet Assembly

Ref. Part No:	Ref. Part No:	Description:	Description:
<b>Image 1:</b>		<b>Expanded Model Nomenclature</b>	
11	0270F05402	DRAIN KIT ASSY	M1 - AM9S920403ANAA
21	0270F05402	DRAIN KIT ASSY	M2 - AM9S920403ANAB
111	0154F00024	GASKET (QTY 2)	M3 - AM9S920603BNAA
121	0154F00025	GASKET (QTY 2)	M4 - AM9S920603BNAB
141	0161F00046	DRAIN TRAP	M5 - AM9S920803BNAA
191	0121F00338LG	DOOR ACCESS 21" PNT (M7, M8, M9, M10, M11, M12, M13, M14)	M6 - AM9S920803BNAB
191	0121F00337LG	DOOR, ACCESS 17.5" PNT (M3, M4, M5, M6)	M7 - AM9S920804CNAA
191	0121F00339LG	DOOR, ACCESS 24.5" PNT (M15, M16)	M8 - AM9S920804CNAB
191	0121F00673LG	PNT, DOOR, ACCESS 14" (M1, M2)	M9 - AM9S920805CNAA
201	0121F00340LG	DOOR, BLOWER 17.5" PNT (M3, M4, M5, M6)	M10 - AM9S920805CNAB
201	0121F00341LG	DOOR, BLOWER 21" PNT (M7, M8, M9, M10, M11, M12, M13, M14)	M11 - AM9S921004CNAA
201	0121F00342LG	DOOR, BLOWER 24.5" PNT (M15, M16)	M12 - AM9S921004CNAB
201	0121F00671LG	PNT, DOOR, BLOWER 14" (M1, M2)	M13 - AM9S921005CNAA
281	B1392139	VIEW PORT BUSHING-BLOWER DOOR (M3, M4, M5, M6, M7, M8, M9, M10, M11, M12, M13, M14, M15, M16)	M14 - AM9S921005CNAB
311	0154F00020	GASKET, DECK (M3, M4, M5, M6)	M15 - AM9S921205DNAA
311	0154F00021	GASKET, DECK (M7, M8, M9, M10, M11, M12, M13, M14)	M16 - AM9S921205DNAB
311	0154F00022	GASKET, DECK (M15, M16)	
311	0154F00063	GASKET, DECK (M1, M2)	
341	0164F00017	HOSE-ELBOW/TRAP	
351	0164F00020	DRAIN HOSE (M1, M2)	
351	0164F00006	HOSE, COVER/TRAP (M15, M16)	
351	0164F00024	HOSE, COVER/TRAP (M3, M4, M5, M6, M7, M8, M9, M10, M11, M12, M13, M14)	
451	M0501301	PIPE GROMMET	
491	M0570808	BUTTON PLUG (QTY 3)	
501	M0570806	BUTTON PLUG	
511	M0570807	BUTTON PLUG	
521	0161M00027	PLUG, HOLE (M1, M2, M3, M4, M5, M6, M11, M12, M13, M14)	
601	B1392021	PLASTIC PLUG, 1" (2713-BLK) (QTY 4)	
741	B1392104	UNIVERSAL BUSHING UB 875	
NS	M0310345	BUTTON PLUG (QTY 2)	
NS	0163M00319	HEX NUT-INSERT (QTY 3)	
NS	0161M00032	NAMEPLATE, AMANA	
NS	M0273904	RETAINER-SCREW (QTY 3)	
NS	M0209730	SCREW-DECORATIVE (QTY 3)	

# Blower Assembly

## BLOWER ASSEMBLY



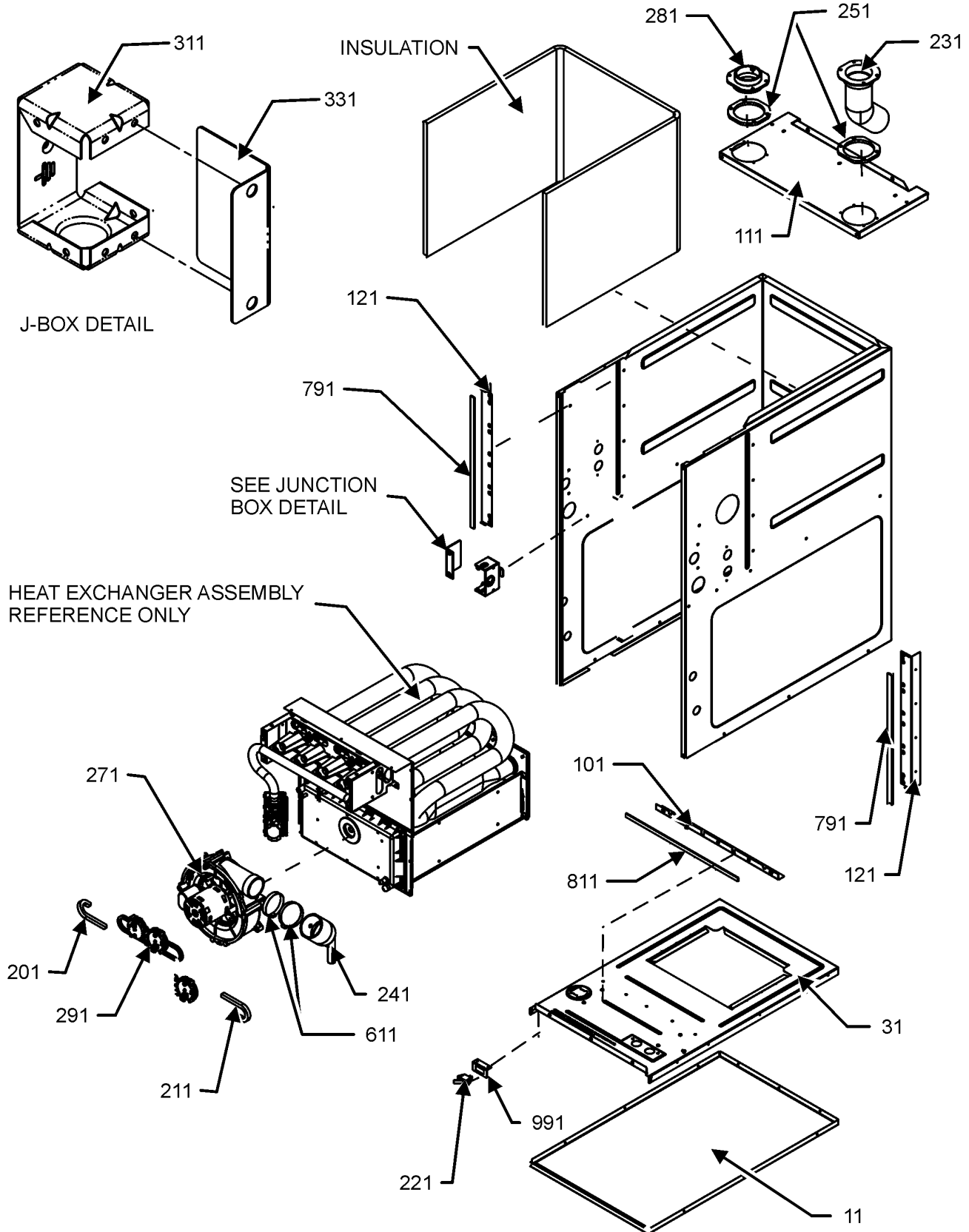
BLOWER ASSEMBLY MAY DIFFER FROM WHAT IS SHOWN

# Blower Assembly

Ref. Part No:	Description:	Ref. Part No:	Description:
<b>Image 1:</b>		<b>Expanded Model Nomenclature</b>	
31	0271F00462 BLOWER HOUSING ASSY (M3, M4, M5, M6)	M1	- AM9S920403ANAA
31	0271F00463 BLOWER HOUSING ASSY (M7, M8, M11, M12)	M2	- AM9S920403ANAB
31	0271F00323 BLOWER HSG ASSY (M1, M2)	M3	- AM9S920603BNAA
31	0271F00507 MORRISON 11 X 10 BLOWER (M9, M10, M13, M14)	M4	- AM9S920603BNAB
31	0271F00508 MORRISON 11 X 11 BLOWER (M15, M16)	M5	- AM9S920803BNAA
41	0150M00042 WHEEL, BLOWER (10 X 10) (M7, M8, M11, M12)	M6	- AM9S920803BNAB
41	0150M00043 WHEEL, BLOWER (10 X 8) (M3, M4, M5, M6)	M7	- AM9S920804CNAA
41	0150M00061 WHEEL, BLOWER (M1, M2)	M8	- AM9S920804CNAB
51	764741 BLWR BLK-OFF, 10X10 (M7, M8, M11, M12)	M9	- AM9S920805CNAA
51	764739 BLWR BLK-OFF, 10X6 (M1, M2)	M10	- AM9S920805CNAB
51	764740 BLWR BLK-OFF, 10X8 (M3, M4, M5, M6)	M11	- AM9S921004CNAA
141	0121M00039 MOUNT BAND, MOTOR (HEAVY DUTY)	M12	- AM9S921004CNAB
151	0163M00538 MOUNT ARM, MOTOR (QTY 3)	M13	- AM9S921005CNAA
181	0131F00112M CONTROLLERLESS MOTOR (M1, M2, M3, M4, M5, M6)	M14	- AM9S921005CNAB
181	0131F00113M CONTROLLERLESS MOTOR (M7, M8, M11, M12)	M15	- AM9S921205DNAA
181	0131F00114M CONTROLLERLESS MOTOR (M9, M10, M13, M14, M15, M16)	M16	- AM9S921205DNAB
181	0131F00261 MOTOR PROGRAMMED (M1, M2)		
181	0131F00262 MOTOR PROGRAMMED (M3, M4)		
181	0131F00263 MOTOR PROGRAMMED (M5, M6)		
181	0131F00264 MOTOR PROGRAMMED (M7, M8)		
181	0131F00265 MOTOR PROGRAMMED (M9, M10)		
181	0131F00266 MOTOR PROGRAMMED (M11, M12)		
181	0131F00267 MOTOR PROGRAMMED (M13, M14)		
181	0131F00268 MOTOR PROGRAMMED (M15, M16)		
231	M0250565 TC SCREW 1.25" (QTY 3)		
251	0163M00320 HEX HEAD ALL THREAD TAP BOLT		
261	B1392918 WASHER, FLAT 1/4 ID X 1 OD (QTY 3)		
281	B1393800 LOCKNUT, NYLON, INSERT 1/4, 20		
381	0130M00140 TRANSFORMER 120V TO 24V, 40VA		
401	PCBBF166 1 STAGE IFC (M2, M4, M6, M8, M10, M12, M14, M16)		
401	PCBBF163 CIRCUIT BOARD, FURNACE (M1, M3, M5, M7, M9, M11, M13, M15)		
461	0121F00464 MOUNTING PLATE-CONTROLS		
521	0130F00038 LIMIT, PRIMARY, 120, LT BLUE (QTY 2)		
NS	0159F00160 CTM, MOTOR HARNESS		
NS	M0282015 KEPS NUT (M9, M10, M13, M14, M15, M16)		
NS	M0267144 MACHINE SCREW (M9, M10, M13, M14, M15, M16)		
NS	B1392021 PLASTIC PLUG, 1" (2713-BLK) (QTY 4)		
NS	B1392820 WASHER, SPLIT LOCK 1/4 BZ (M9, M10, M13, M14, M15, M16)		
NS	0259F00024 WIRE HARNESS-BLOWER		

# Chassis Assembly

## CHASSIS ASSEMBLY



CHASSIS ASSEMBLY MAY DIFFER FROM WHAT IS SHOWN

# Chassis Assembly

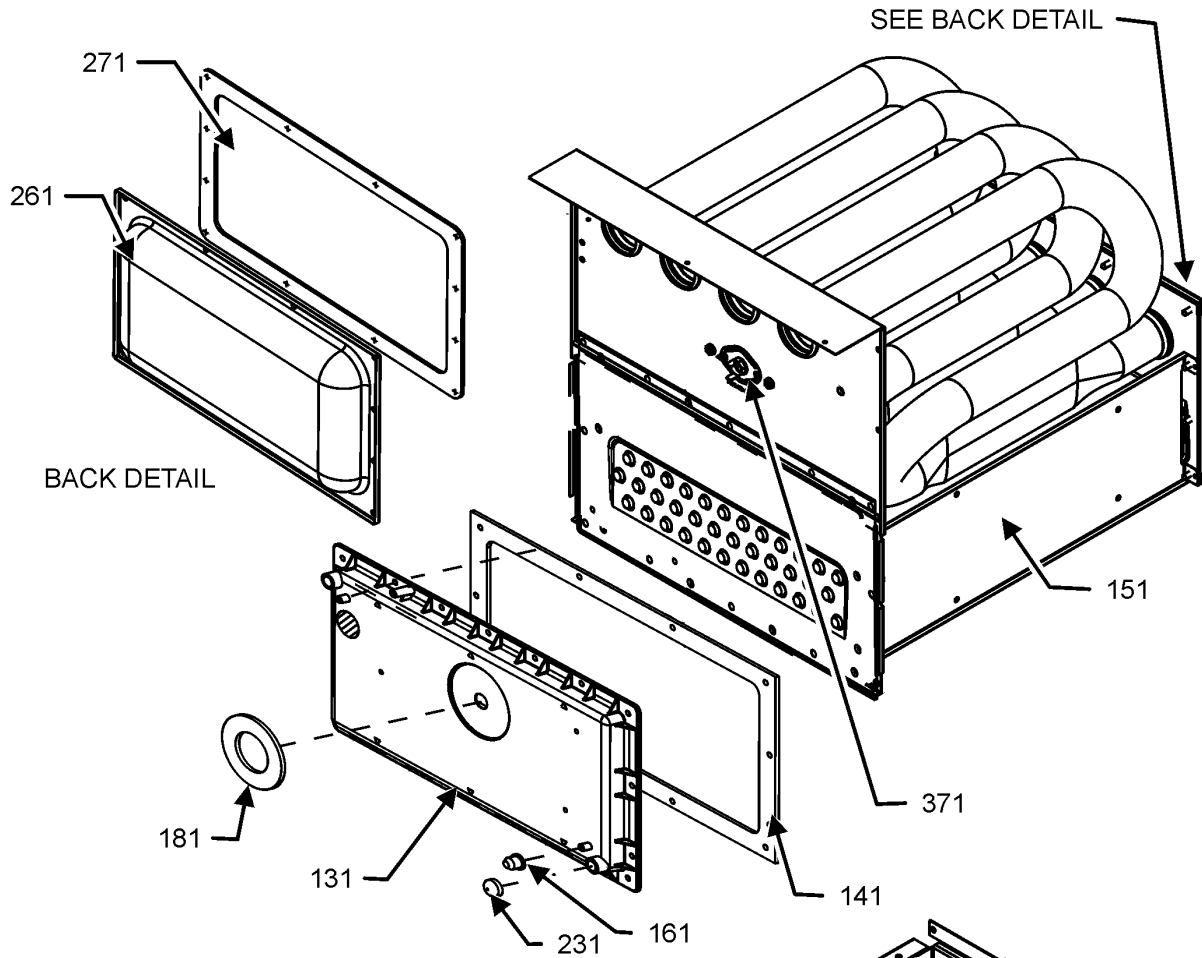
Ref. Part No:	Ref. Part No:	Description:	Description:
<b>Image 1:</b>		<b>Image 1:</b>	
11	0121F00530DG	BASEPAN, 17.5 (M3, M4, M5, M6)	NS 0159F00143 WIRE HARNESS (M3, M4, M5, M6, M7, M8, M9, M10, M11, M12, M13, M14, M15, M16)
11	0121F00531DG	BASEPAN, 21 PNT (M7, M8, M9, M10, M11, M12, M13, M14)	
11	0121F00532DG	BASEPAN, 24.5 PNT (M15, M16)	
11	0121F00664DG	BASEPAN, 14 PNT (M1, M2)	
31	0121F00766	DECK- BLOWER 17.5" (M3, M4, M5, M6)	
31	0121F00767	DECK- BLOWER 21" (M7, M8, M9, M10, M11, M12, M13, M14)	
31	0121F00768	DECK- BLOWER 24.5" (M15, M16)	
31	0121F00663	DECK, BLOWER 14" (M1, M2)	
101	0121F00314	ANGLE, DECK (M3, M4, M5, M6)	
101	0121F00315	ANGLE, DECK (M7, M8, M9, M10, M11, M12, M13, M14)	
101	0121F00316	ANGLE, DECK (M15, M16)	
101	0121F00661	ANGLE, DECK (M1, M2)	
111	0121F00279DG	PAINTED TOP, FURNACE 17.5 (M3, M4, M5, M6)	
111	0121F00280DG	PAINTED TOP, FURNACE 21 (M7, M8, M9, M10, M11, M12, M13, M14)	
111	0121F00281DG	PAINTED TOP, FURNACE 24.5 (M15, M16)	
111	0121F00662DG	PNT, FURNACE TOP 14" (M1, M2)	
121	0121F00313	ANGLE, SIDE (QTY 2)	
201	0164M00118	HOSE- PRESSURE SW 10" (M1, M2)	
201	0164M00117	HOSE- PRESSURE SW 8" (M3, M4, M5, M6, M7, M8, M9, M10, M11, M12, M13, M14, M15, M16)	
211	0164M00119	HOSE- PRESSURE SW 12"	
221	0130M00243	INTERLOCK SWITCH	
231	0164F00002	FLUE PIPE W/BEND	
241	0164F00025	ELBOW-FLUE, UPFLOW	
251	0154F00041	FRESH AIR GASKET	
271	0171M00008	MOTOR, ID BLOWER (M1, M2)	
271	0171M00001	MOTOR-ID, BLOWER (M3, M4, M5, M6, M7, M8, M9, M10, M11, M12, M13, M14, M15, M16)	
281	0161F00037	COUPLING	
291	0130F00641	PRESSURE SWITCH (M1, M2)	
291	0130F00441	SWITCH, PRESSURE (M5, M6, M11, M12, M13, M14)	
291	0130F00442	SWITCH, PRESSURE (M3, M4, M7, M8, M9, M10, M15, M16)	
311	0161F00042	JUNCTION BOX PLA	
331	0161F00043	JUNCTION BOX LID	
611	0163M00460	CLAMP-HOSE (QTY 2)	
791	0154F00015	GASKET (QTY 2)	
811	0154F00014	GASKET (M3, M4, M5, M6)	
811	0154F00016	GASKET (M7, M8, M9, M10, M11, M12, M13, M14)	
811	0154F00064	GASKET (M1, M2)	
811	20194607	GASKET (M15, M16)	
991	0121F00389	BRACKET, DOOR SWITCH	
NS	0160F00025	INSULATION, HT EXCHANGER (M1, M2)	
NS	0160F00015	INSULATION, HT EXCHANGER 17.5" (M3, M4, M5, M6)	
NS	0160F00016	INSULATION, HT EXCHANGER 21" (M7, M8, M9, M10, M11, M12, M13, M14)	
NS	0160F00017	INSULATION, HT EXCHANGER 24.5" (M15, M16)	
NS	M0326804	PLUG-TUBE	
NS	0159F00142	WIRE HARNESS (M1, M2)	

### Expanded Model Nomenclature

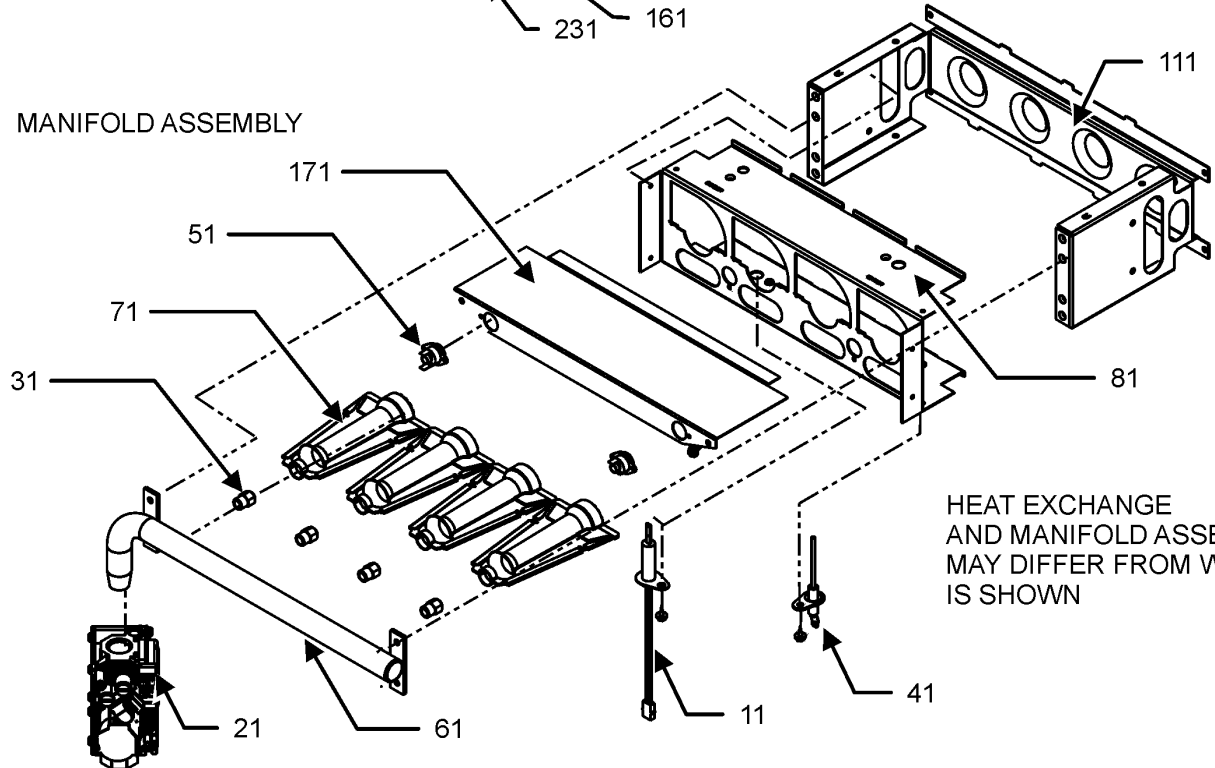
M1 - AM9S920403ANAA
M2 - AM9S920403ANAB
M3 - AM9S920603BNAA
M4 - AM9S920603BNAB
M5 - AM9S920803BNAA
M6 - AM9S920803BNAB
M7 - AM9S920804CNAA
M8 - AM9S920804CNAB
M9 - AM9S920805CNAA
M10 - AM9S920805CNAB
M11 - AM9S921004CNAA
M12 - AM9S921004CNAB
M13 - AM9S921005CNAA
M14 - AM9S921005CNAB
M15 - AM9S921205DNAA
M16 - AM9S921205DNAB

# Heat Exchange and Manifold Assembly

## HEAT EXCHANGE ASSEMBLY



## MANIFOLD ASSEMBLY



# Heat Exchange and Manifold Assembly

Ref. Part No:	Description:	Ref. Part No:	Description:
<b>Image 1:</b>		<b>Image 1:</b>	
11	0130F00008 IGNITOR-SINI 17 SEC	261	0121F00318 COVER, REAR (M7, M8, M9, M10, M11, M12, M13, M14)
21	0151M00037 GAS VALVE	261	0121F00319 COVER, REAR (M15, M16)
31	10716005 ORIFICE (QTY 2)	261	0121F00670 COVER, REAR (M1, M2)
41	0130F00010 FLAME SENSOR	271	0154F00058 GASKET REAR CVR (M1, M2)
51	0130F00123 LIMIT, RESET MAN (M3, M4)	271	0154F00037 GASKET, REAR CVR (M3, M4, M5, M6)
51	10123538 LIMIT-MAN-TAN (M1, M2)	271	0154F00038 GASKET, REAR CVR (M7, M8, M9, M10, M11, M12, M13, M14)
51	10123529 LIMIT-RESET MAN-GREEN (M15, M16)	271	0154F00039 GASKET, REAR CVR (M15, M16)
51	10123534 LIMIT-RESET MAN-ORANGE (M7, M8)	371	20162903 LIMIT, PRIMARY (M1, M2, M9, M10, M11, M12)
51	10123539 LIMIT-RESET MAN-ORANGE (M5, M6, M9, M10, M11, M12, M13, M14)	371	20162904 LIMIT, PRIMARY (M15, M16)
61	0163F00007 MANIFOLD (M1, M2)	371	20162906 LIMIT, PRIMARY (M5, M6)
61	0163F00008 MANIFOLD (M3, M4)	371	20162907 LIMIT, PRIMARY (M13, M14)
61	0163F00009 MANIFOLD (M7, M8, M9, M10)	371	0130F00036 LIMIT, PRIMARY, 180, PINK (M3, M4, M7, M8)
61	0163F00010 MANIFOLD (M11, M12, M13, M14)	NS	0121F00582 INSULATION, RETAINER (M1, M2)
61	0163F00011 MANIFOLD (M15, M16)	NS	0121F00583 INSULATION, RETAINER (M3, M4, M5, M6)
61	0163F00014 MANIFOLD (M5, M6)	NS	0121F00584 INSULATION, RETAINER (M7, M8, M9, M10, M11, M12, M13, M14)
71	0163F00017 BECKETT BURNER (QTY 2)	NS	0121F00585 INSULATION, RETAINER (M15, M16)
81	0121F00456 BRACKET-BURNER 2 (M1, M2)	NS	0121F00439 PRIMARY LIMIT-HEAT SHIELD
81	0121F00455 BRACKET-BURNER 3 (M3, M4)	NS	0121F00355 SHIELD, COIL (QTY 2)
81	0121F00454 BRACKET-BURNER 4 (M5, M6, M7, M8, M9, M10)	<b>Expanded Model Nomenclature</b>	
81	0121F00453 BRACKET-BURNER 5 (M11, M12, M13, M14)	<div style="border: 1px solid black; padding: 5px;"> M1 - AM9S920403ANAA  M2 - AM9S920403ANAB  M3 - AM9S920603BNAA  M4 - AM9S920603BNAB  M5 - AM9S920803BNAA  M6 - AM9S920803BNAB  M7 - AM9S920804CNAA  M8 - AM9S920804CNAB  M9 - AM9S920805CNAA  M10 - AM9S920805CNAB  M11 - AM9S921004CNAA  M12 - AM9S921004CNAB  M13 - AM9S921005CNAA  M14 - AM9S921005CNAB  M15 - AM9S921205DNAA  M16 - AM9S921205DNAB </div>	
81	0121F00451 BRACKET-BURNER 6 (M15, M16)		
111	0121F00469 ORIFICE BRACKET-BURNER 2 (M1, M2)		
111	0121F00468 ORIFICE BRACKET-BURNER 3 (M3, M4)		
111	0121F00467 ORIFICE BRACKET-BURNER 4 (M5, M6, M7, M8, M9, M10)		
111	0121F00466 ORIFICE BRACKET-BURNER 5 (M11, M12, M13, M14)		
111	0121F00465 ORIFICE BRACKET-BURNER 6 (M15, M16)		
131	0161F00016 COVER, FRONT (M5, M6)		
131	0161F00018 COVER, FRONT (M7, M8, M9, M10)		
131	0161F00027 COVER, FRONT (M11, M12, M13, M14)		
131	0161F00028 COVER, FRONT (M15, M16)		
131	0161F00031 COVER, FRONT (M3, M4)		
131	0161F00076 COVER, FRONT (M1, M2)		
141	0154F00026 GASKET FRONT COVER (M3, M4, M5, M6)		
141	0154F00030 GASKET FRONT COVER (M7, M8, M9, M10, M11, M12, M13, M14)		
141	0154F00034 GASKET FRONT COVER (M15, M16)		
141	0154F00062 GASKET FRONT COVER (M1, M2)		
151	0257F00414 HEAT EXCHANGER ASSY (M1, M2)		
151	0257F00268 HEAT EXCHANGER ASSY. (M3, M4)		
151	0257F00339 HEAT EXCHANGER ASSY. (M5, M6)		
151	0257F00340 HEAT EXCHANGER ASSY. (M7, M8, M9, M10)		
151	0257F00346 HEAT EXCHANGER ASSY. (M11, M12, M13, M14)		
151	0257F00347 HEAT EXCHANGER ASSY. (M15, M16)		
161	M0326804 TUBE PLUG		
171	0121F00540 SHEILD, BURNER (M3, M4)		
171	0121F00541 SHEILD, BURNER (M5, M6, M7, M8, M9, M10)		
171	0121F00542 SHEILD, BURNER (M11, M12, M13, M14)		
171	0121F00543 SHEILD, BURNER (M15, M16)		
171	0121F00755 SHIELD, BURNER (M1, M2)		
181	0154F00043 GASKET ID BLOWER		
231	A1781105 CAP-VINYL .500		
261	0121F00317 COVER, REAR (M3, M4, M5, M6)		