

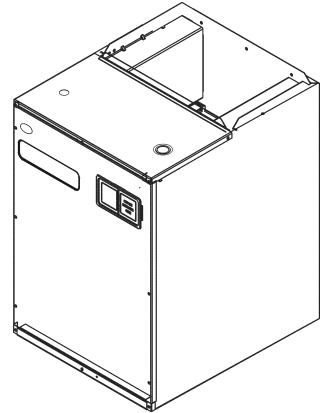
REPAIR PARTS

MBVB Modular Blower

MBVB12BP1X00AA

MBVB16CP1X00AA

MBVB20DP1X00AA



This manual is to be used by qualified technicians only.

© 2023 Goodman Manufacturing Company, L.P. ♦ 19001 Kermier Rd. ♦ Waller, TX 77484

Important Information

Index

Functional Parts List	3
Illustration and Parts	4 - 7

Views shown are for parts illustrations only, not servicing procedures.

Text Codes:

AR - As Required

NA - Not Available

NS - Not Shown

00000000 - See Note

QTY - Quantity Example (QTY 3) (If Quantity not shown, Quantity = 1)

M - Model Example (M1) (If M Code not shown, then part is used on all Models)

Expanded Model Nomenclature:

Example M1 - Model#1 M2 - Model#2 M3 - Model#3

Goodman Manufacturing Company, L.P. is not responsible for personal injury or property damage resulting from improper service. Review all service information before beginning repairs.

Warranty service must be performed by an authorized technician, using authorized factory parts. If service is required after the warranty expires, Goodman Manufacturing Company, L.P. also recommends contacting an authorized technician and using authorized factory parts.

Goodman Manufacturing Company, L.P. reserves the right to discontinue, or change at any time, specifications or designs without notice or without incurring obligations.

For assistance within the U.S.A. contact:
Homeowner Support
Goodman Manufacturing Company, L.P.
19001 Kermier Road
Waller, Texas 77484
877-254-4729-Telephone
713-863-2382-Facsimile

For assistance outside the U.S.A. contact:
International Division
Goodman Manufacturing Company, L.P.
19001 Kermier Road
Waller, Texas 77484
713-861-2500-Telephone
713-863-2382-Facsimile

Functional Parts

Part

No: **Description:**

SHARED DATA Availble thru CoolCloud HVAC app
0131M01002 MOTOR, 1/2 HP (M1)
0131M01003 MOTOR, 3/4 HP (M2, M3)
PCBJA106V009 PCB CONTROL, AIR HANDLER
0130M00138 TRANSFORMER 208/230, 24V

Expanded Model Nomenclature

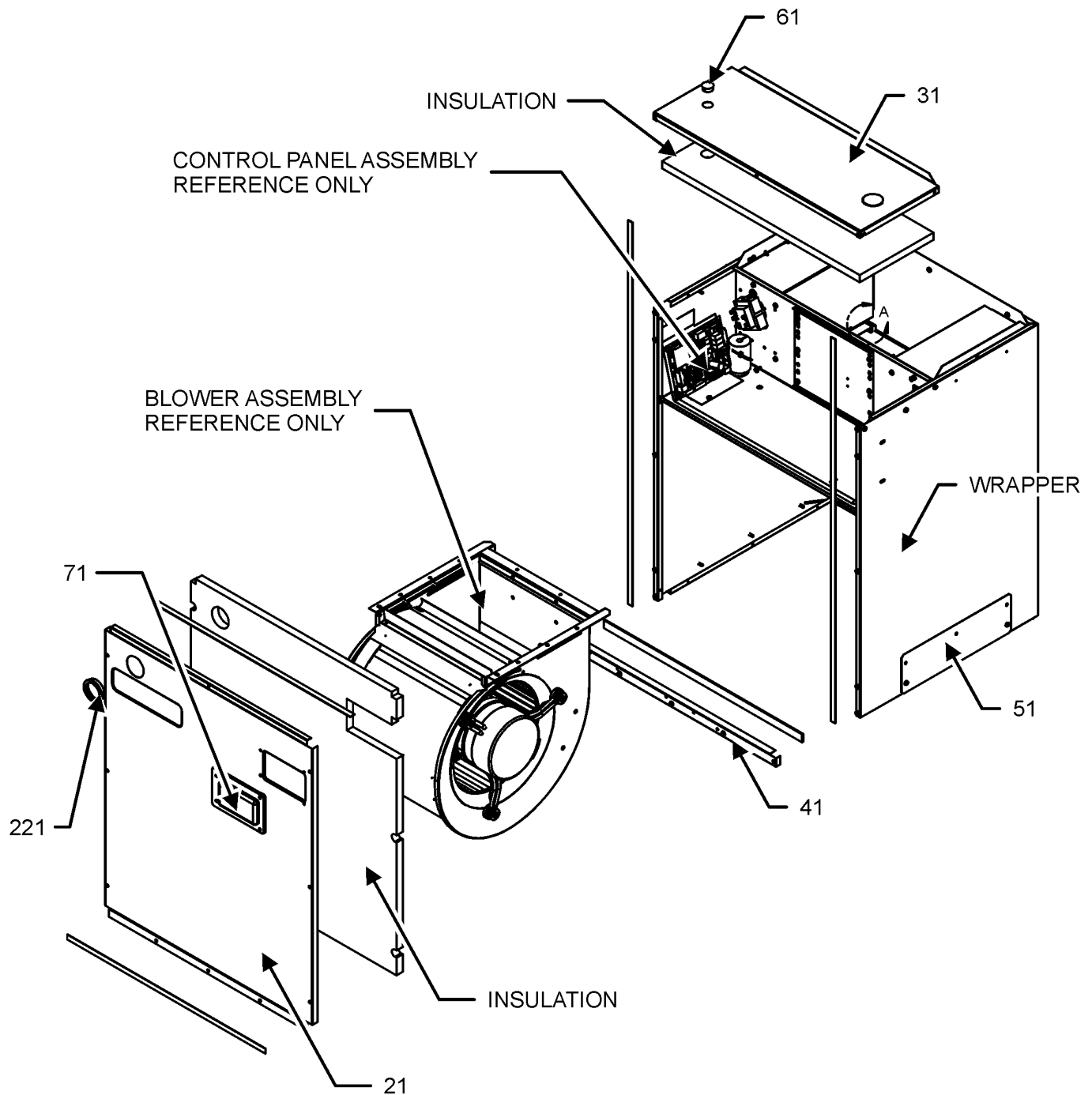
M1 - MBVB12BP1X00AA

M2 - MBVB16CP1X00AA

M3 - MBVB20DP1X00AA

CHASSIS ASSEMBLY

CHASSIS ASSEMBLY



CHASSIS ASSEMBLY MAY DIFFER FROM WHAT IS SHOWN

CHASSIS ASSEMBLY

Ref. Part No:	No:	Description:	Ref. Part No:	No:	Description:
---------------	-----	--------------	---------------	-----	--------------

Image 1:

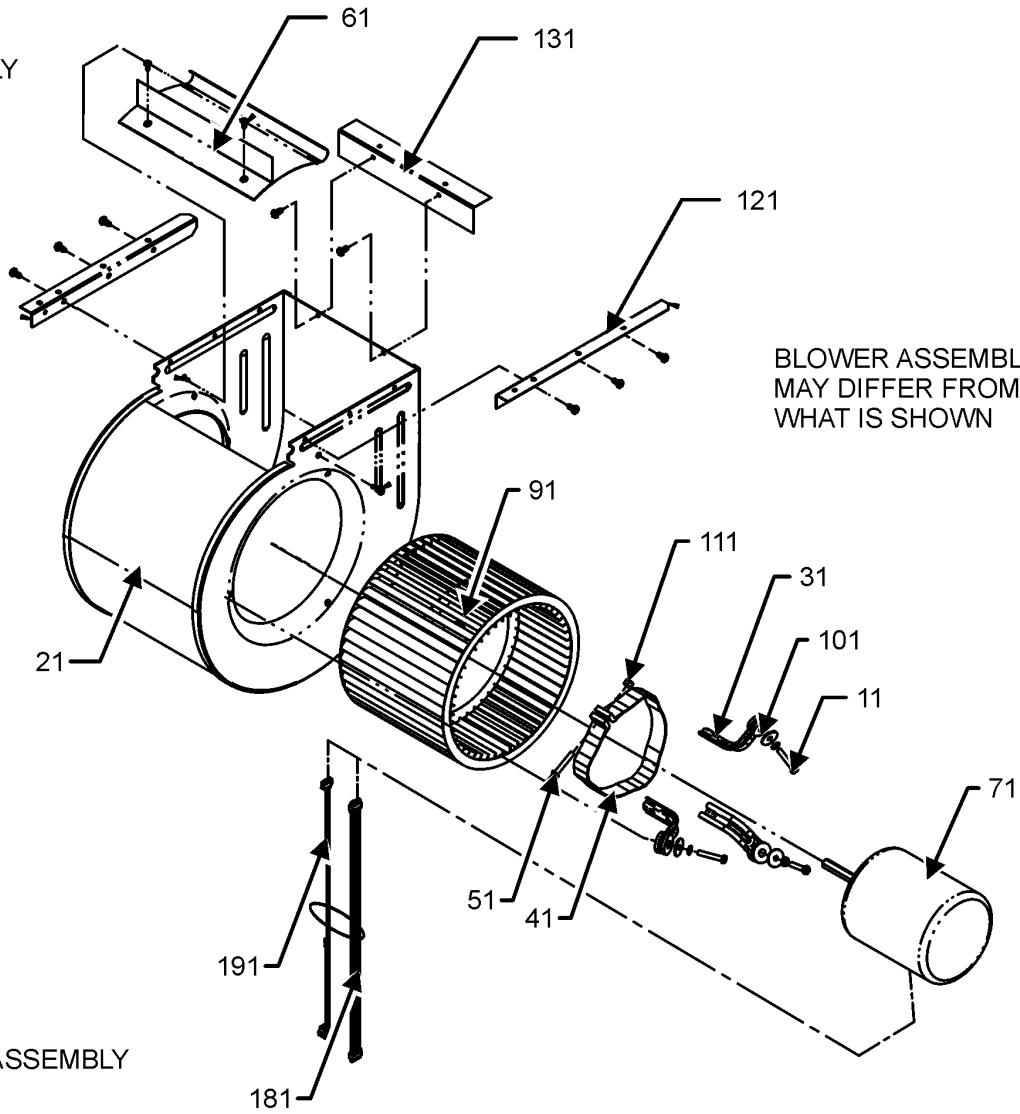
21	0121A01370PDG	FRONT PANEL (M2)
21	0121A01371PDG	FRONT PANEL (M3)
21	0121A01369PDG	FRONT PANEL, PAINTED (M1)
31	0121D00984PDG	TOP PLATE, EVAP COIL, PAINTED (M1)
31	0121D00985PDG	TOP PLATE, EVAP COIL, PAINTED (M2)
31	0121D00986PDG	TOP PLATE, EVAP COIL, PAINTED (M3)
41	0121A01125PDG	RAIL, BOTTOM 17.5", PAINTED (M1)
41	0121A01126PDG	RAIL, BOTTOM 21", PAINTED (M2)
41	0121A01127PDG	RAIL, BOTTOM 24.5", PAINTED (M3)
51	5651200PDG	TIE-IN PLATE (QTY 2)
61	B1392019	PLASTIC PLUG, .875 DIA
71	0161A00073	CIRCUIT BREAKER COVER
221	B1392136	VIEW PORT BUSHING, 2"

Expanded Model Nomenclature

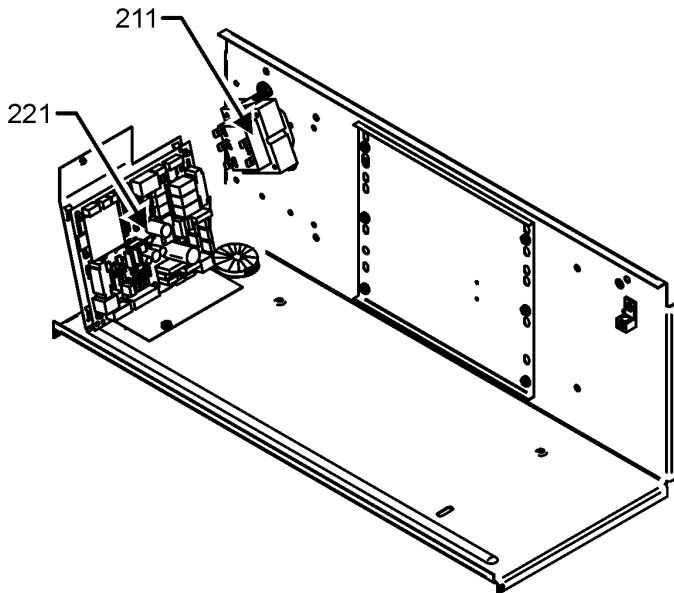
M1 - MBVB12BP1X00AA
M2 - MBVB16CP1X00AA
M3 - MBVB20DP1X00AA

BLOWER AND CONTROL PANEL ASSEMBLY

BLOWER ASSEMBLY



CONTROL PANEL ASSEMBLY



CONTROL PANEL ASSEMBLY
MAY DIFFER FROM WHAT
IS SHOWN

BLOWER AND CONTROL PANEL ASSEMBLY

Ref. Part No:	Ref. Part No:	Description:	Description:
Image 1:			
11	B1393322	SCREW, MACHINE HWH 1/4-20X1 1/2 BZ (QTY 3)	
21	5660205	BLOWER HOUSING ASSY 10 X 8 (M1, M2)	
21	5660207	BLOWER SHELL ASSEMBLY (M3)	
31	0171M00012	MOTOR MOUNT ARM (M1, M2)	
31	0163A00008	MOTOR MOUNTING ARM (M3)	
41	0121M00038	MOTOR MOUNT BAND (M1, M2)	
41	0121M00039	MOTOR MOUNT BAND (HEAVY DUTY) (M3)	
51	B1393323	SCREW, MACH HWH 1/4-20X1 1/2 BZ	
61	5647002	BLOWER CUT-OFF (M1, M2)	
61	1864700	BLOWER CUT-OFF 10 X 10 (M3)	
71	0131M01002	MOTOR, 1/2 HP (M1)	
71	0131M01003	MOTOR, 3/4 HP (M2, M3)	
91	0150M00058	WHEEL, BLOWER (M1, M2)	
91	0150M00062	WHEEL, BLOWER (M3)	
101	B1392918	WASHER FLAT (QTY 3)	
111	B1393800	LOCKNUT, NYLON, INSERT 1/4, 20	
121	5601806	BLOWER RAIL (M1)	
121	5601807	BLOWER RAIL (M2, M3)	
131	1717111	BLOWER MOUNTING ANGLE (M2)	
131	1717112	BLOWER MOUNTING ANGLE (M3)	
131	1717113	BLOWER MOUNTING ANGLE (M1)	
181	0259A00065	HIGH VOLTAGE WIRE HARNESS	
191	0259A00030	WIRE HARNESS	
211	0130M00138	TRANSFORMER 208/230, 24V	
221	PCBJA106V009	PCB CONTROL, AIR HANDLER	
NS	0130D00005	4-PIN CONNECTOR	
NS	0130D00004	6-PIN CONNECTOR	
NS	SHARED DATA	Av ailble thru CoolCloud HVAC app	
NS	0161A00101	UNIVERSAL SNAP BUSHING	
NS	B1392820	WASHER, SPLIT LOCK 1/4 BZ (QTY 3)	
NS	0259A00028	WIRE ASSY, 9 PIN MALE CONN.	
NS	0259A00029	WIRE HARNESS	

Expanded Model Nomenclature

M1 - MBVB12BP1X00AA

M2 - MBVB16CP1X00AA

M3 - MBVB20DP1X00AA